

Dingli 
Australia

www.dingliaustralia.com.au



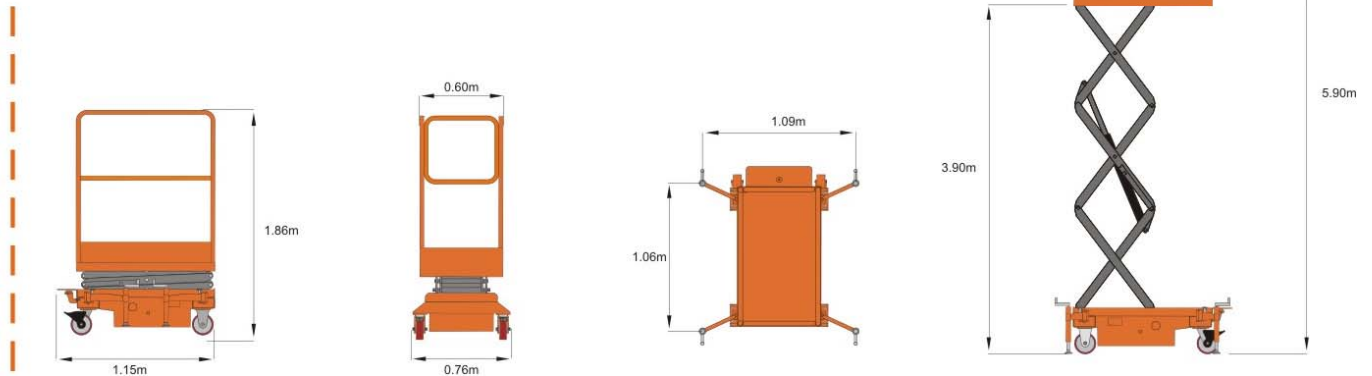
Rizer

SP039-E

MOBILE SCISSOR LIFTS

Rizer

SP039-E



S.W.L	240kg/529lb
--------------	-------------



Working height	5.90m/19ft4in
Platform floor height	3.90m/12ft9in



Overall length	1.15m/3ft9in
Overall width	0.76m/2ft6in
Overall height	1.86m/5ft10in
Platform size	1.15mx0.60m/3ft9inx1ft11in
Ground clearance	0.06m/2in
Wheelbase	0.94m/2ft8in



Lifting motor	12V DC/0.8kw
----------------------	--------------



Up/Down speed	40/48 sec
----------------------	-----------



Batteries	12V/120Ah
Integrated charger	12V/12A



Tyres	0.15m/6in
--------------	-----------



Weight	420kg/925lb
---------------	-------------

Standard Equipment

- Battery Charge Indicator
- Levelling Indicator
- Safety Brackets
- Emergency Stop Button
- Levelling Outrigger Device
- Dual Locking Castors
- Forklift Pockets
- Overload Restriction

Please Note:-
All information contained in this publication was correct at time of printing but may be subject to change without notice.

