

MAXSAFE[®]

Work Safety Solutions - For Life

MS02 ANCHOR HEIGHT SAFETY SYSTEM



www.maxsafe.co.nz

Part #: **MS02**

Date of First Installation: / /

INSTALLATION: Prior to use, read and understand all manufacturer's instructions provided with equipment. Compliant with all applicable AS/NZS 1891, AS/NZS 5532, EN 795, OSHA 1910, OSHA 1926 Subpart M, ANSI Z359.1-2007, and ANSI A10.32-2012 regulations.

Materials: Aluminium.
Capacity range (including all equipment): 58-140 kg...or up to 190 kg. If used in combination with equipment explicitly certified for such use.

Connections must be selected and deemed compatible with a MAXSAFE Anchor by a Trained Competent Person. Refer to instructions for proper connection methods.

Rated for 1 user ONLY. Maximum 1 connection per MAXSAFE Anchor. Refer to instructions for proper installation methods and fastener requirements. May be used in multiple installation applications. Always use new fasteners for each installation.

Pending Design and Patent Applications © Pumpjack Australasia Limited 2015

User must inspect prior to each use. Competent Person must inspect at least every 6 or 12 months Depending on applicable Standard. Competent Person to Initial year and month of inspection on Inspection Grid.

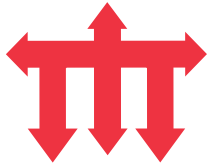
WARNING

IMMEDIATELY remove from use if previously exposed to forces of fall arrest. **MAXIMUM 1 connection per Maxsafe Anchor.** Always adhere to anchor instructions. Avoid contact with all hazards, including, but not limited to, electricity, chemicals, and heat.

YR	MO	20	20	20	20	20
J						
F						
M						
A						
M						
J						
A						
S						
O						
N						
D						

Pending Design and Patent Applications © Pumpjack Australasia Limited 2015

COMPLIANT WITH AS/NZS 1891, AS/NZS 5532 STANDARD. RATED TO 21kN.



MAXSAFE® MS02 ANCHOR

MAXSAFE® MS02 ANCHORS are the 'no compromise' solution as a height safety system for minimising risk, saving lives and preventing accidents when working at height. **MAXSAFE® MS02 ANCHORS** have multiple attachment capability to most structures, buildings and substrates. Ultimate safety is MAXSAFE®'s top priority.

BENEFITS:

You should choose MAXSAFE® MS02 ANCHORS because:

- Tested, proven and compliant with AS/NZS 1891, AS/NZS 5532 Standards.
- Rated to 21kN (when installed to a suitable substrate in accordance with manufacturers installation instructions).
- The MAXSAFE® MS02 Anchor is certified for two person use for Fall Arrest and Fall Restraint.
- The MAXSAFE® MS02 Anchor is also compatible with the following single person use:
Work Positioning, Rescue/Confined Space.
- Certified, engineered and designed to be installed and fitted to most structures, buildings and substrates.
- The MAXSAFE® MS02 Anchor is proudly supplied and supported by MAXSAFE® as part of their specialist height safety products, training and services.
- Installation must be undertaken by a MAXSAFE® trained certified competent person.
- Once installed, the MAXSAFE® height safety system will have long-term, future proofed benefits for all height safety work, situations, structures and users.
- The ultimate height safety anchor!

OWNERS MS02 ANCHOR INSPECTION LOG SUMMARY

The MS02 Anchor Inspection Log should be updated after each inspection by the owner. Full Inspection Log Forms are available separately in this pack and should be completed by a MAXSAFE® approved person.

Date of First Use:

YEAR	MONTH											
	J	F	M	A	M	J	J	A	S	O	N	D
20__												
20__												
20__												
20__												
20__												

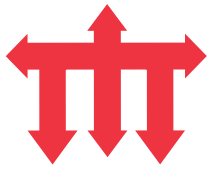
.....
Competent Person:

.....
Competent Person:

.....
Competent Person:

.....
Competent Person:

.....
Competent Person:



MAXSAFE® MS02 ANCHOR

FIXING PROFILES



RFID TRACKING

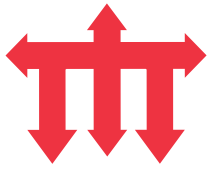


MAXSAFE® RFID: Tracked Certification Audit and Asset Management System. An RFID is a Radio Frequency Identification chip that MAXSAFE® scan for tracking anchors for compliance and certification management.



WARNING. PRIOR TO USE ALL INFORMATION AND INSTRUCTIONS MUST BE READ AND UNDERSTOOD. FAILURE TO FOLLOW ALL WARNINGS, INFORMATION AND INSTRUCTIONS MAY RESULT IN SERIOUS INJURY OR DEATH. IF YOU ARE UNCERTAIN AND NEED HELP PLEASE CONTACT MAXSAFE®.

WARNING. Installation must be undertaken by a MAXSAFE® trained certified competent person.

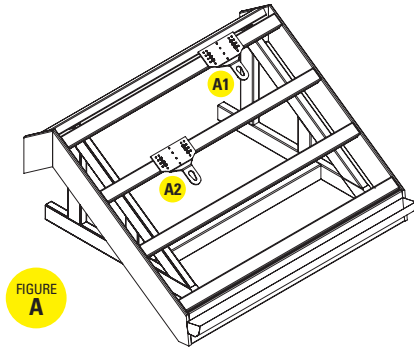


MAXSAFE® MS02 ANCHOR

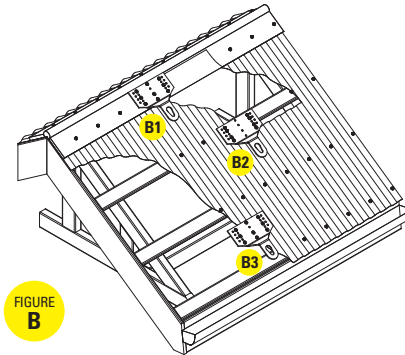
INSTALLATION CONFIGURATIONS

DIAGRAM KEY

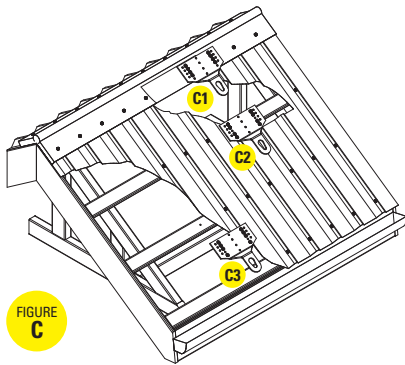
- 1: RIDGE CAP
- 2: PURLIN
- 3: CLADDING



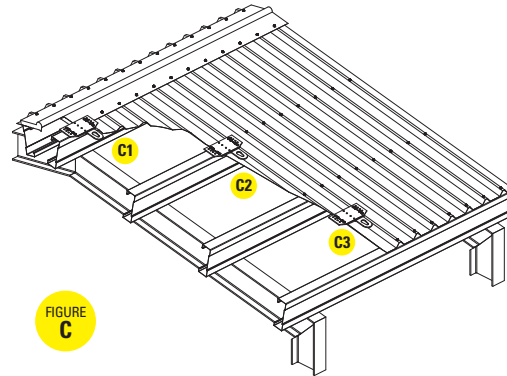
**UNCLAD ROOFING MAXSAFE® MS02 ANCHOR
INSTALLATION DETAIL - FOR USE AS A TEMPORARY
ANCHOR DURING CONSTRUCTION**



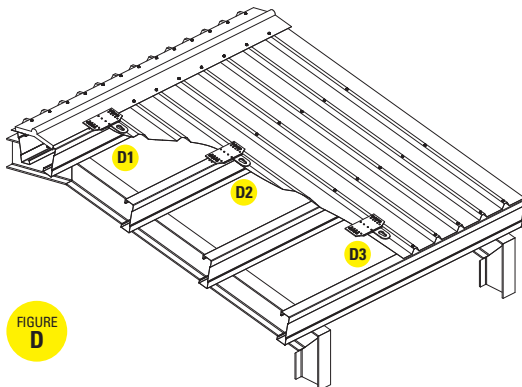
**CORRUGATED ROOFING MAXSAFE® MS02 ANCHOR INSTALLATION DETAIL
FOR TIMBER FRAMING**



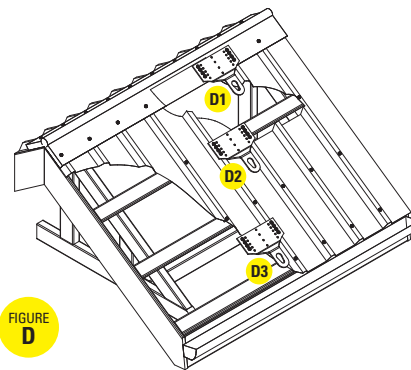
**6 RIB ROOFING MAXSAFE® MS02 ANCHOR
INSTALLATION DETAIL FOR TIMBER FRAMING**



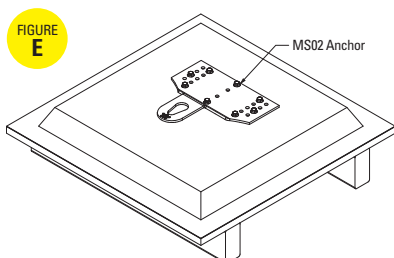
**6 RIB ROOFING MAXSAFE® MS02 ANCHOR
INSTALLATION DETAIL FOR STEEL PURLINS**



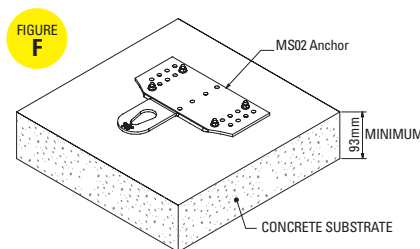
**5 RIB ROOFING MAXSAFE® MS02 ANCHOR
INSTALLATION DETAIL FOR STEEL PURLINS**



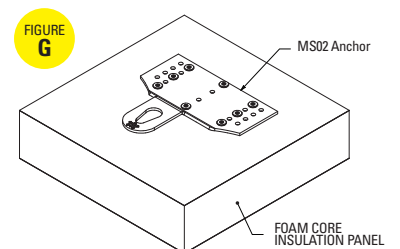
**5 RIB ROOFING MAXSAFE® MS02 ANCHOR
INSTALLATION DETAIL FOR TIMBER FRAMING**



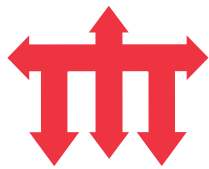
**RUBBER MEMBRANE ROOFING
MAXSAFE® MS02 ANCHOR INSTALLATION**



**CONCRETE MAXSAFE® MS02
ANCHOR INSTALLATION**



**INSULATED FOAM PANEL
MAXSAFE® MS02 ANCHOR INSTALLATION**



MAXSAFE[®] MS02 ANCHOR

FALL DISTANCE CALCULATORS

These charts show the allowable working zones required to reduce the risk of swing falls and improper side loading. ALWAYS adhere to the information specified. For example, if the anchorage connection is 1.8m from the leading edge (Y), the working distance (X) is 2.4m in each direction from the perpendicular, which translates to a 53° working angle.

DIAGRAM A. FALL CLEARANCE CALCULATION

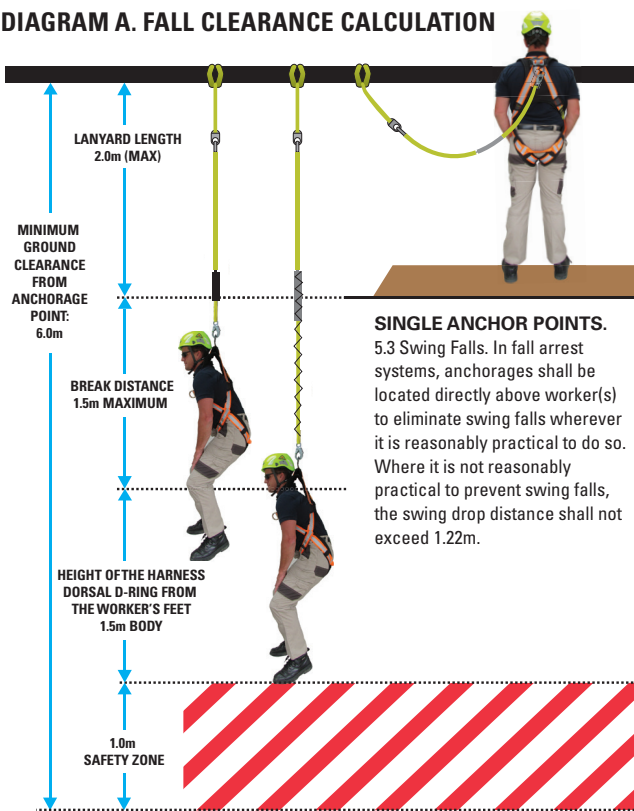


TABLE A.

This table details allowable working zones for swing falls based on AN/NZS 1891.1

Y DISTANCE FROM FALL HAZARD	X WORKING DISTANCE ALONG ROOF EDGE	Ø WORKING ANGLE FROM PERPENDICULAR
1.8m	2.4m	53°
3.0m	2.8m	44°
4.5m	3.4m	38°
6.0m	4.0m	33°
7.6m	4.3m	30°
9.0m	4.8m	28°
10.6m	5.2m	26°
12.1m	5.5m	24°
13.7m	5.8m	23°
15.2m	6.0m	21°
16.7m	6.4m	21°
18.2m	6.7m	20°

SEE
DIAGRAM B
FOR EXAMPLE

DIAGRAM B. EXAMPLE OF SAFE WORKING METHOD.

Ø = Maximum Working Angle.
X = Working distance along leading edge
Y = Distance from leading edge
Z = Non-Working Zone*. User must not work within this zone.

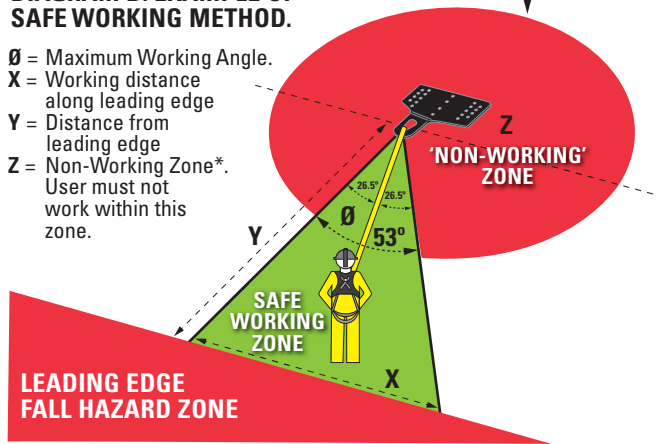


DIAGRAM C. EXAMPLE OF SAFE WORKING METHOD PLAN

Entry & Exit Point / Ladder Tie-off Point
Use of Vertical Lifeline Assembly from Point A to Point B.

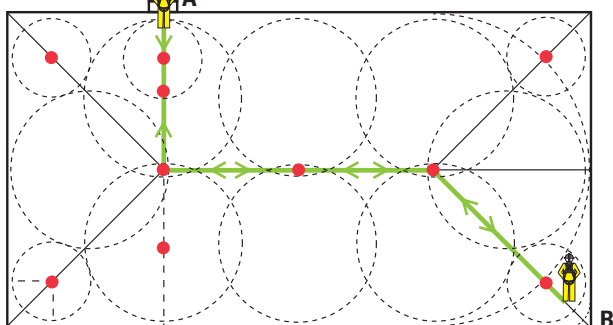
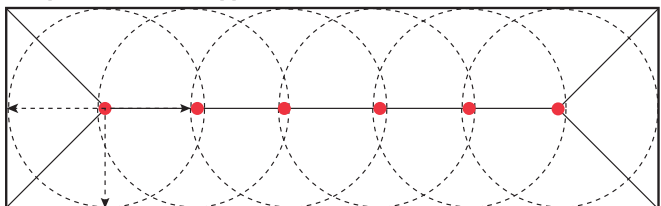


DIAGRAM D. EXAMPLE OF SAFE WORKING METHOD ZONES

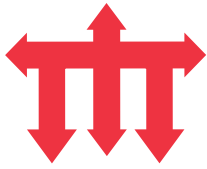
The pendulum effect applies to all roof surfaces.



WARNING.

ATTACH ONLY TO STRUCTURE ABLE TO WITHSTAND FALL ARREST LOADS. IF IN DOUBT CONSULT A SUITABLY COMPETENT CHARTERED PROFESSIONAL ENGINEER.

* Care must be taken during use to ensure that the MAXSAFE[®] MS02 Anchor will not be used or loaded outside its tested and certified design parameters (refer to 'Z' in Diagram B above). This specification detail is based on the full fall arrest load being applied as a straight downward pull on the MAXSAFE[®] MS02 Anchor. Give careful consideration to any obstructions or circumstances that could result in off-axis loading of the MAXSAFE[®] MS02 Anchor if a fall event should occur.



MAXSAFE® MS02 ANCHOR

ANCHOR INFORMATION DO NOT DISCARD

WARNING. ALL USERS MUST BE A TRAINED CERTIFIED COMPETENT PERSON FOR WORKING AT HEIGHT. PRIOR TO USE ALL INFORMATION AND INSTRUCTIONS MUST BE READ AND UNDERSTOOD. FAILURE TO FOLLOW ALL WARNINGS, INFORMATION AND INSTRUCTIONS MAY RESULT IN SERIOUS INJURY OR DEATH. IF YOU ARE UNCERTAIN AND NEED HELP PLEASE CONTACT MAXSAFE®.

PRIOR TO EACH USE ALL MAXSAFE® MS02 ANCHORS MUST BE INSPECTED BY THE USER FOR ANYTHING THAT MAY COMPROMISE THEIR SAFETY.

MAXSAFE® MS02 ANCHOR is compatible with the following multiple applications:



Personal Fall Arrest

MAXSAFE® MS02 ANCHOR may be used to support a **maximum** of a Two (2) Person Fall Arrest System (PFAS). Rated to 21kN. Maximum free fall is 1.8m, or up to 3.7m if used in combination with equipment explicitly certified for such use. Applicable D-ring: Dorsal.



Personal Fall Restraint /Total Restraint

MAXSAFE® MS02 ANCHOR may be used to support a **maximum** of Two (2) Persons in Fall Restraint/Total Restraint application. Rated to 21kN. Fall Restraint systems totally prevent users from reaching the leading edge of a fall hazard. Always account for the fully deployed length of the lanyard. No free fall is permitted. Applicable D-rings: Dorsal, Chest.



Work Positioning

MAXSAFE® MS02 ANCHOR may be used in Work Positioning applications. Work Positioning systems allow a user to be supported while in suspension and in position and have the ability to work freely with both hands and prevent the user from reaching the fall hazard. The system used should not allow a fall of more than 600mm. Applicable D-rings: Side, Chest, Dorsal.



Rescue/Confined Space

MAXSAFE® MS02 ANCHOR may be used in Rescue/Confined Space applications. Rescue systems function to safely recover a worker from a confined location or after exposure to a fall event. There are various configurations of rescue systems depending on the type of rescue. Rated to 21kN. No free fall is permitted. Applicable D-rings: Dorsal, Chest, Shoulder.

THE MAXSAFE® MS02 ANCHOR IS RATED TO 21kN IF USED IN COMBINATION WITH EQUIPMENT EXPLICITLY CERTIFIED FOR SUCH USE.

WARNING. ALL CONNECTIONS MUST BE SELECTED AND DEEMED COMPATIBLE WITH MAXSAFE® MS02 ANCHOR BY A TRAINED CERTIFIED COMPETENT PERSON. IMPROPER USE OF HEIGHT SAFETY EQUIPMENT AND SYSTEM IN ANY UNINTENDED APPLICATION MAY RESULT IN SERIOUS INJURY OR DEATH.

Maintenance and Cleaning

Maintenance or repairs to a **MAXSAFE® MS02 ANCHOR** can only be made by an authorised **MAXSAFE®** representative. Contact **MAXSAFE®** for all maintenance and repair needs at: sales@maxsafe.co.nz.

Proper care is important for maintaining the safety and longevity of a **MAXSAFE® MS02 ANCHOR**. Remove all dirt, corrosives, and contaminants from any **MAXSAFE® MS02 ANCHOR** before and after each use. If **MAXSAFE® MS02 ANCHOR** cannot be cleaned with plain water, use mild soap and water, then rinse and wipe dry. NEVER clean **MAXSAFE® MS02 ANCHOR** with corrosive substances.

Inspection

Prior to each use all **MAXSAFE® MS02 ANCHORS** must be inspected by the user for anything that may compromise their safety. A **MAXSAFE®** approved person, other than the user, must complete a formal inspection annually, or more frequently if required, by the users safety management system. After each inspection the Inspection Log must be updated by the **MAXSAFE®** approved person with their initials and the date of the inspection. Separate and specific inspection logs must be used for each **MAXSAFE® MS02 ANCHOR**. All inspection records must be made visible and available to all users at all times.

WARNING. IMMEDIATELY REMOVE FROM SERVICE IF EXPOSED TO FORCES OF FALL ARREST OR A FALL EVENT.

WARNING. IF A MAXSAFE® MS02 ANCHOR FAILS AN INSPECTION BY A MAXSAFE® APPROVED PERSON OR USER IT MUST BE IMMEDIATELY REMOVED FROM USE.

Manufacturer/Supplier Warranty

1 year: Fabrication

Extended for up to 10 years if re-certification is completed by a **MAXSAFE®** approved person every 6 or 12 months as required to meet the applicable standards.

- Life Duration: Up to 10 years on a new roof.

Installer Warranty

1 year: For installation

Extended for up to 10 years if re-certification is completed by a **MAXSAFE®** approved person every 6 or 12 months as required to meet the applicable standards.

- Life Duration: Up to 10 years on a new roof.

For more information contact **MAXSAFE®**: 021 281 7651 or 021 281 7653. Email: sales@maxsafe.co.nz **PRODUCT HELPLINE: 0800 262972**

DISCLAIMER

This disclaimer is made by and on behalf of Maximum Safety NZ Limited and its affiliated companies, directors, employees, agents and contractors (collectively "MAXSAFE® Group") with respect to each and every product (the "Product(s)") sold or supplied by the MAXSAFE® Group. SAFETY WARNINGS SHOULD BE READ CAREFULLY FOR EACH PRODUCT AND ANY RECOMMENDED SAFETY PRECAUTIONS AND INSTRUCTIONS FOR USE MUST BE STRICTLY FOLLOWED. MAXSAFE® Group accepts no liability whatsoever in relation to the use or failure of any Product(s) where any damage, loss, injury or death has been caused as a result of the Product(s) being installed incorrectly, where the instructions for use or product specifications have not been followed, where personnel have not been suitably trained on the use of the Product(s) or where other negligent acts or omissions have occurred during the use of the Product(s).

