

## Sliding clips for angle- and double standing seam

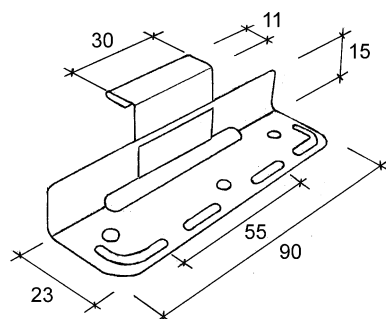
### Versions:

|                               |                         |                         |
|-------------------------------|-------------------------|-------------------------|
| <b>For different heights:</b> | <b>25 mm (standard)</b> | Article-No.: HA-5360-N  |
|                               | <b>28 mm</b>            | Article-No.: HA-5360-28 |
|                               | <b>30 mm</b>            | Article-No.: HA-5360-30 |
|                               | <b>32 mm</b>            | Article-No.: HA-5360-32 |
|                               | <b>38 mm</b>            | Article-No.: HA-5360-38 |

|                  |                            |   |
|------------------|----------------------------|---|
| <b>Material:</b> | <b>stainless steel V2A</b> | <b>Material-No. 1.4301</b>                                      |
|                  | <b>stainless steel V4A</b> | AISI: 304<br>Material-No. 1.4401<br>as special design available |

|                   |  |
|-------------------|--|
| <b>Thickness:</b> | <b>0,4 mm</b>                            |
|                   | <b>0,5 mm as special design possible</b> |

### Illustration / Measurements:



### Description:

#### Sliding clips for angle- and double standing seam

Upper and lower parts are pre-assembled.  
Attach on the pre-profiled standing seam.

Size, measurements and material thickness are according to the expert regulations of the German plumping crafts.

Due to a longer sliding area of 55 mm, suitable for the following sheet lengths till:

|           |                             |
|-----------|-----------------------------|
| 12 meters | for titanium-zinc           |
| 14 meters | for copper                  |
| 16 meters | for stainless steel         |
| 16 meters | for zinc coated steel sheet |
| 11 meters | for aluminium               |

|                             |                                |
|-----------------------------|--------------------------------|
| <b><u>Packing unit:</u></b> | 500 pcs. or                    |
|                             | 400 pcs. (Art.-No. HA-5360-38) |

One of many features is that the clips are easy to assemble. The bottom part also comes with beading and rounded edges. Based on this innovation the clips barely bend up. It is most important to mount the clips absolutely accurate! It is indispensable to rework protruding nails or screws to avoid the damaging the roof layer. Due to the special shaping of the upper part, a slight clamp-effect is achieved. The result is that the attached clips will not slip down during the assembly process.

**Please note our large product range around metal roofs: snow retention systems, step brackets, solar holders and our program about clips. Further informations you will find on our homepage.**