

Fixing clip

Versions:

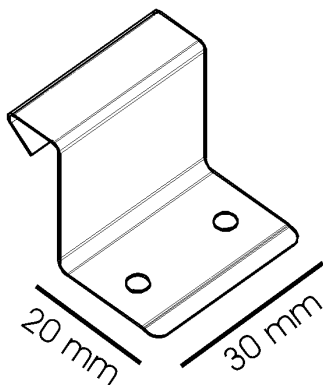
For different seam heights: Standardwidth: 30 mm	25 mm (standard)	Article-No.: HA-5350
	28 mm	Article-No.: HA-5350-28
	30 mm	Article-No.: HA-5350-30
	32 mm	Article-No.: HA-5350-32
	38 mm	Article-No.: HA-5350-H38
	50 mm	Article-No.: HA-5350-50

Available special design:	Width 38 mm, for seam height 25 mm	Article-No.: HA-5350-38
	With extended base 8 mm, for seam height 25 mm	Article-No.: HA-5350-8

Material:	Stainless steel V2A	Material-No. 1.4301 AISI: 304
	Stainless steel V4A	Material-No. 1.4401 as special design available

Thickness:	0,4 mm 0,5 mm as special design possible
-------------------	---

Illustration / Measurements:



Description:

Fixing clips suitable for angle- and double-standing seam.

Attaching on the pre-profiled standing seam.

Size, measurements and thickness of material according to the expert regulations of the German plumping crafts.

Designation with rounded edges and a fine splay at the foot end.

Packing unit: 500 pcs.

Please note our large product range around metal roofs: snow retention systems, step brackets, solar holders and our program about clips. Further informations you will find on our homepage.