

## Snow retention bracket for angled standing seam roofing

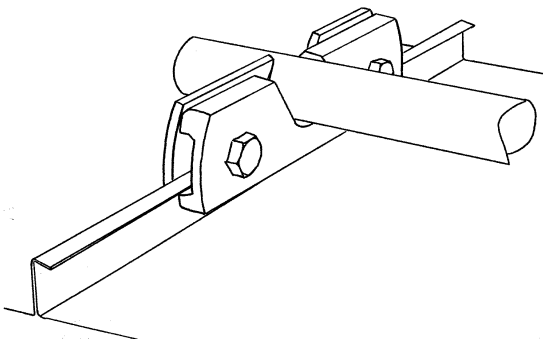
### Version:

Aluminium

AlMgSi, thickness 6 mm  
with stainless steel-screw and nuts, A2

Article-No.: LA-1130

### Illustration:



### Description:

#### Snow retention bracket for angled standing seam roofing.

For tubes with a max. outer diameter of 33 mm.  
Designation according to the expert regulations  
of the German plumping crafts.

### Contents each:

- 1 pcs. Brackets with cut-out for the tube
- 1 pc. Bracket with profile to equalize the angled seam also with oblong hole for the tube.
- 2 pcs. Screws, A2 – Size: 12 x 35
- 2 pcs. Nuts, A2 – Size: M 12

**Packing unit:** 10 pairs (1 pair = 1 pc.)

### Mounting:

<p>Place one pair of brackets on the right and left side of the verges. Span a string in order to get a straight line. Induct tube and fix it on each side by the above mentioned pairs of brackets.</p> <p>Place tube connector and set the next tube.</p>	<p>Place bracket with the bead showing to the inside, horizontal under the tube. Fold both bracket parts up at the same time.</p> <p>The cutouts have to be in counter-directions in order to get fixation for the tube.</p> <p>Set the screws. Start mounting at the middle of tube. Tighten screws by hand and adjust it with the help of the string (to get a straight line)</p>	<p>Mount all brackets and fix them with a ratchet or screwdriver.</p> <p>Recommended torque: At least 35 Nm!</p>

## Snow retention bracket for angled standing seam roofing

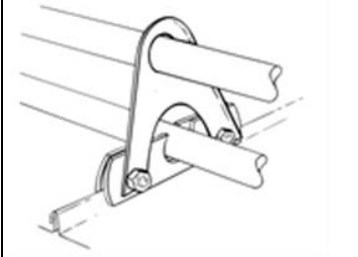
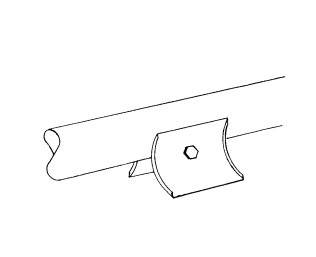
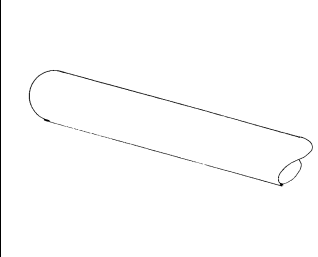
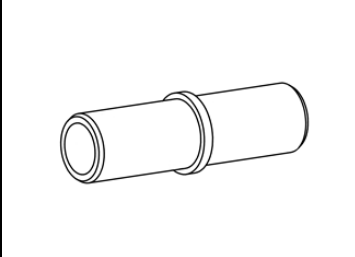
### Notes for executions:

Determining are the local and usual climatic conditions, zones of snow-load by DIN 1055-5 (German standard), as well as the roof pitch, its designation and the dimensions of the roof-sheets. These guidelines are necessary for mounting, calculation, arrangements of holders and fixation of the snow retention system. Additionally you have to consider all governmental orders, if available.

If you mount a snow retention system, you have to consider the increased load on the roofing-construction and on the trapezoidal applications.

Please contact us if you have any further questions or if you need any assistance.

### Additional equipment for snow retention bracket / snow retention system for angled standing seam roofing:

Heightening element, for double-tube snow retention (in conjunction with an additional single-tube snow retention row)	Mount snow stop between tube and roofing	Tube with a wall thickness of at least 2 mm	Tube connector
			

*Please notice our large product range around metal roofs: snow retention systems, step brackets, solar holders and our program about clips. Further informations you will find on our homepage.*