

Assembly instructions solar holder

REES

REES holder for solar- and collector devices to be installed on double standing seam or on round-headed profiles on metal roofings.



Standing seam

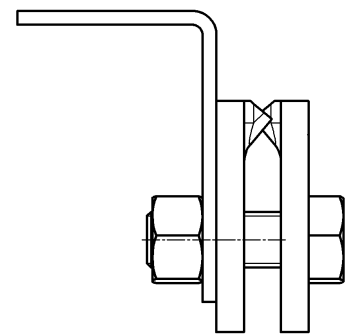


Kalzip / Bemo

Instructions:

- Mount pre-assembled brackets on the standing seam resp. round-headed seam, so that the upper lug shows to the inside. Now you will find a parallel gap which will fit completely onto the seam. (Picture 1).
 - For profiled sheets place brackets that the shape encloses the seam completely.
 - Use the included screws in order to mount fixing appliances of the Solar-panels on the angled item. Make sure that the angle is on the side!
 - Torque moment for holder on standing seam roofings and its holding force:
Torque with at least 50 Nm: Holding Force: 800 N (= 80 kg / Holder)
- Average extraction value for clips on:
Standing seam roofing (acc. to expert regulations) Holding Force: 400 N (= 40 kg / Clip)
- Torque moment for Holder on profiled sheets and its holding force:
Torque with 22 Nm: Holding Force 500 N (= 50 kg / Holder)
Torque with 25 Nm: Holding Force 800 N (= 80 kg / Holder)

(1)



Attention:

To find the correct determination of holder and what force of tightening-moment you need to apply to, you have to consider the retention-force of the sub-constructions, the expert regulations of the roofing craftsmanship and the wind resistibility of the solar-panels.

Wind-suction can cause additional safety management. Therefore you may have to fix the solar panels on the corner-, edge or/and the middle-parts as well! In case of doubts it is indispensable to get further information from your local engineers, engaged in statically calculations.

Please note our large product range around metal roofs: snow retention systems, step brackets, solarholders and our programm about clips. Further informations you will find on our homepage.