

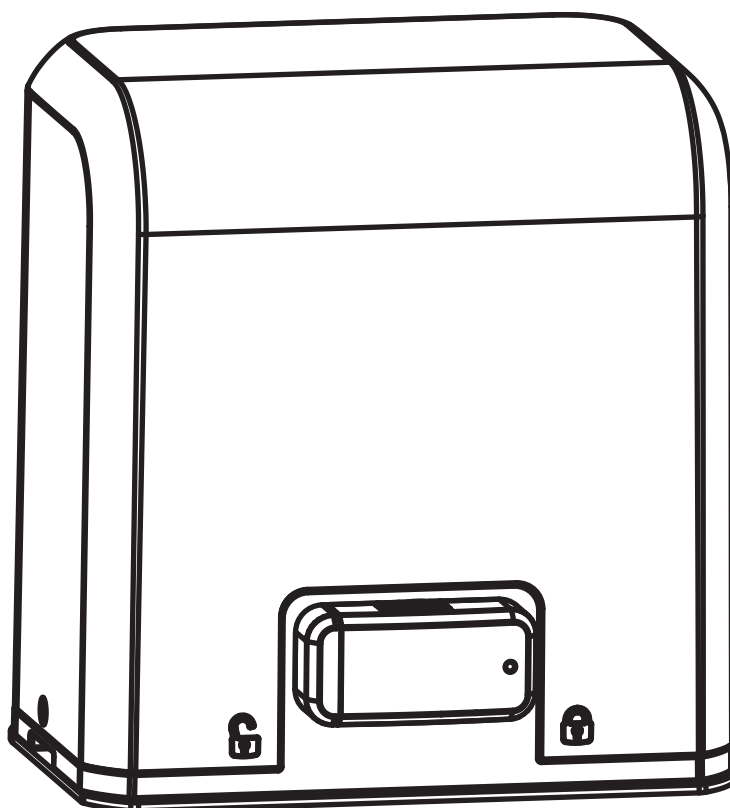
BOXERE SERIES

SLIDING GATE OPENERS

WIFI 24V DC MOTOR

USER MANUAL

Software Version: PS19033F



Reuse
Reduce
Recycle



INDEX

1. WARNINGS _____	1
2. INSTALLATION _____	2
A. STANDARD INSTALLATION DEMONSTRATION	2
B. DESCRIPTION OF DEVICE	2
C. DIMENSION OF DEVICE	3
D. INSTALLATION OF MOTOR GEAR AND GEAR RACK	3
E. CHECKING FOR INSTALLATION	4
F. EMERGENCY RELEASE	4
3. SETUP AND FUNCTION SETTING _____	5
A. WIRE CONNECTION	5
B. TRANSMITTER MEMORIZATION AND ERASING PROCESS	6
C. SYSTEM LEARNING, RESET PROCESS AND LED DISPLAY	6
D. HOW TO SET THE PARAMETER	7
E. PROGRAMMABLE FUNCTION SETTINGS	7
F. RECOGNITION OF LED	9
4. TECHNICAL CHARACTERISTICS _____	10
A. TECHNICAL DATA SHEET OF SERIES	10
B. H2 PHOTOCCELL DATA SHEET	10
C. TM3 TRANSMITTER DATA SHEET	10
D. FL2 FLASHING LIGHT DATA SHEET	10

1. GENERAL PRECAUTION:

WARNING :

This user manual is only for qualified technicians who is specialized in installations and automations.

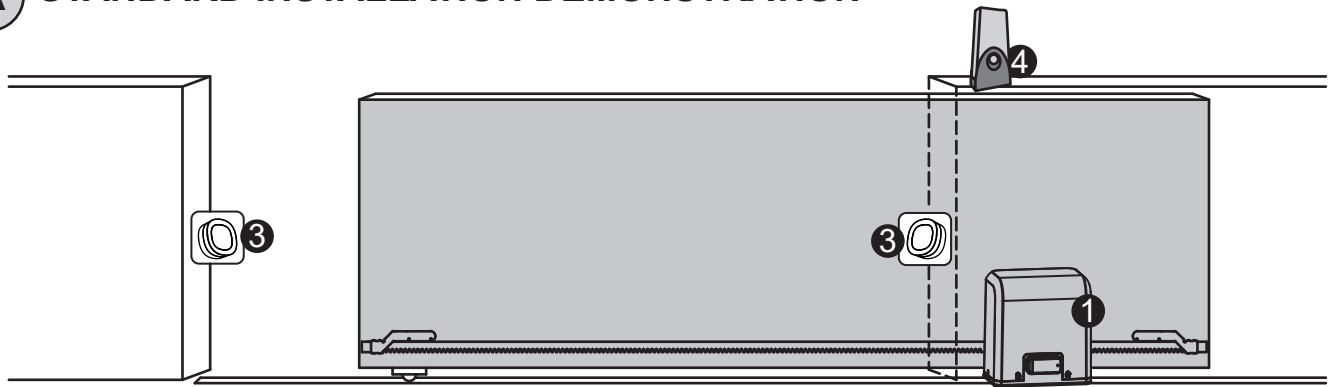
- (1) All installations, electrical connections, adjustments and testing must be performed only after reading and understanding of all instructions carefully.
- (2) Before carrying out any installation or maintenance operation, disconnect the electrical power supply by turning off the magneto thermic switch connected upstream and apply the hazard area notice required by applicable regulations
- (3) Make sure the existing structure is up to standard in terms of strength and stability
- (4) When necessary, connect the motorized gate to reliable earth system during electricity connection phase.
- (5) Installation requires qualified personnel with mechanical and electrical skills.
- (6) Keep the automatic controls (remote, push bottom, key selectors...etc) being placed properly and away from children.
- (7) For replace or repair of the motorized system, only original parts must be applied. Any damage caused by inadequate parts and methods will not be claimed to motor manufacturer.
- (8) Never operate the drive if you have any suspect with what it might be faulty or damage to the system.
- (9) The motors are exclusively designed for the gate opening and closing application, any other usage is deemed inappropriate. The manufacture should not be liable for any damage resulting from the improper use. Improper usage should void all warranty, and the user accepts sole responsibility for any risks there by may accrue.
- (10) The system may only be operated in proper working order. Always follow the standard procedures by following the instructions in this installation and operating manual.
- (11) Only command the remote when you have a full view of the gate.

TMT AUTOMATION INC. shall not be liable for any injury, damage, or any claim to any person or property which may result from improper use or installation of this system.

Please keep this installation manual for future reference.

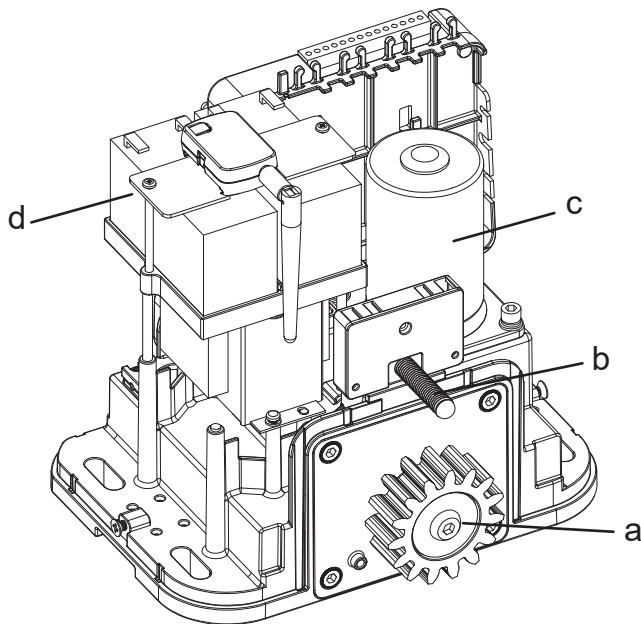
2. INSTALLATION:

A STANDARD INSTALLATION DEMONSTRATION

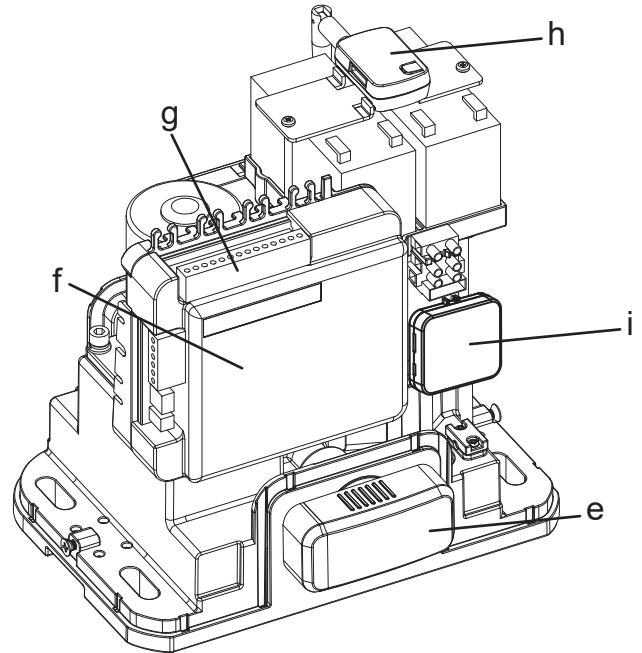


1. 24Vdc sliding motor
2. Transmitter
3. Safety photo sensor
4. Flashing light

B DESCRIPTION OF DEVICE

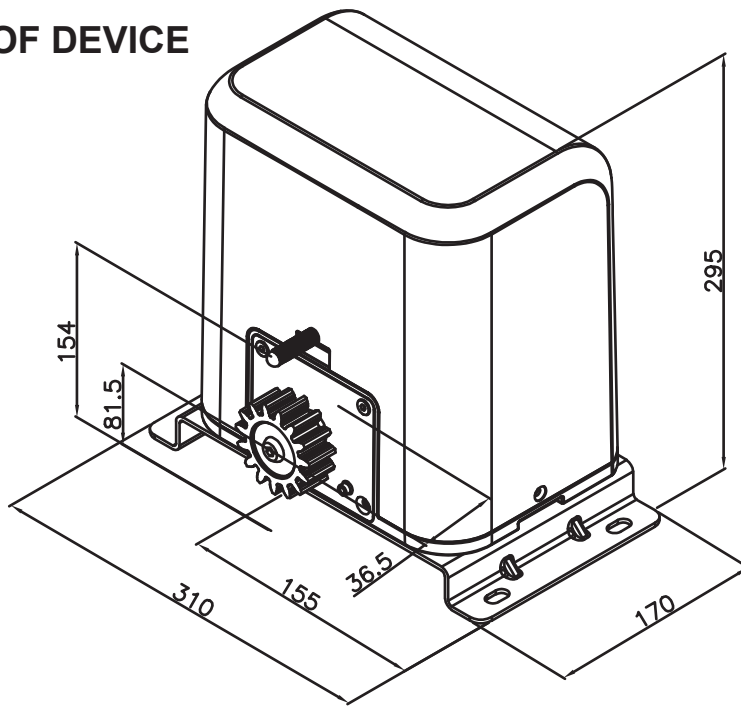


- a. Operation gear
- b. Limit switch device
- c. 24Vdc motor
- d. Back-up batteries (Optional)

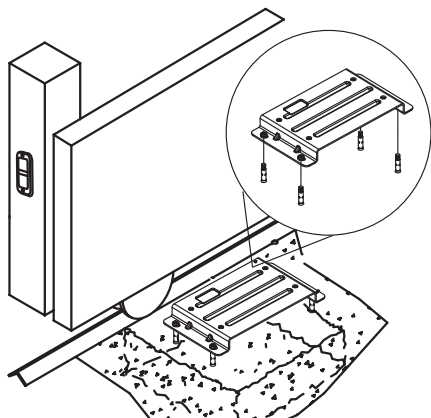


- e. Release device
- f. Control panel
- g. Terminals of devices
- h. Wifi Box (Refer to WB2 User Manual)
- i. Green Box (Optional)

C DIMENSION OF DEVICE



D INSTALLATION OF MOTOR GEAR AND GEAR RACK

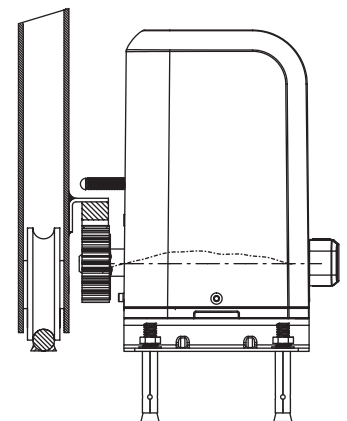
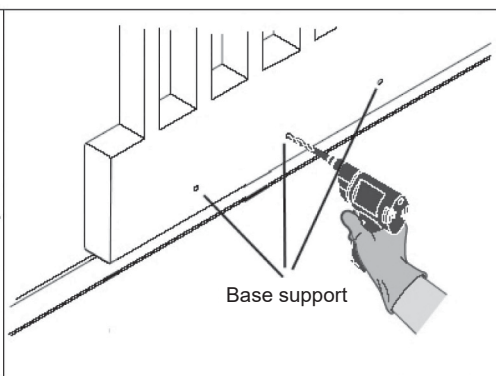
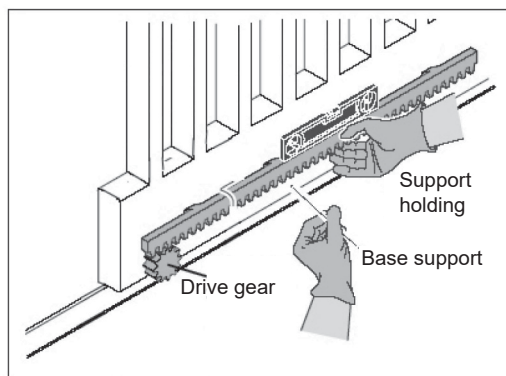
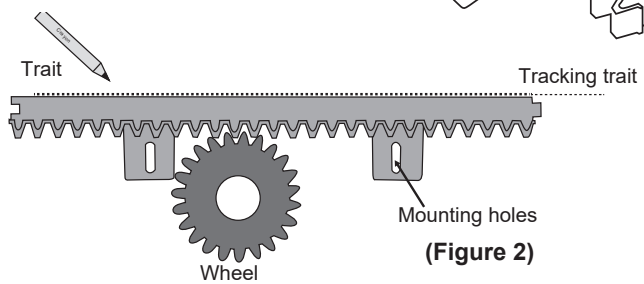
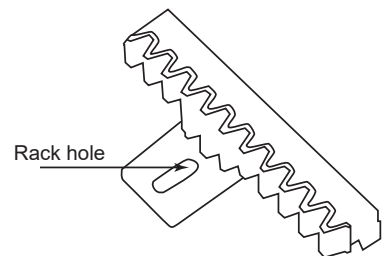
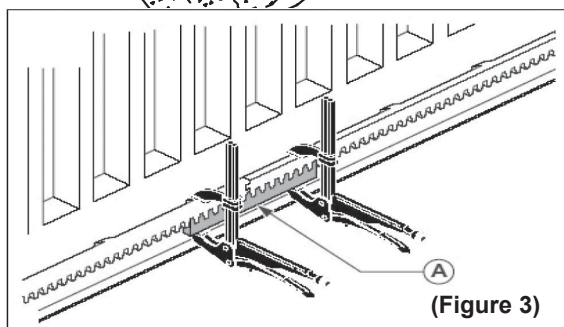


Place the first rack on the driving pinion and trace the drilling locations completely. The rack must be perfectly horizontal. Mark a trait on the top of rack.

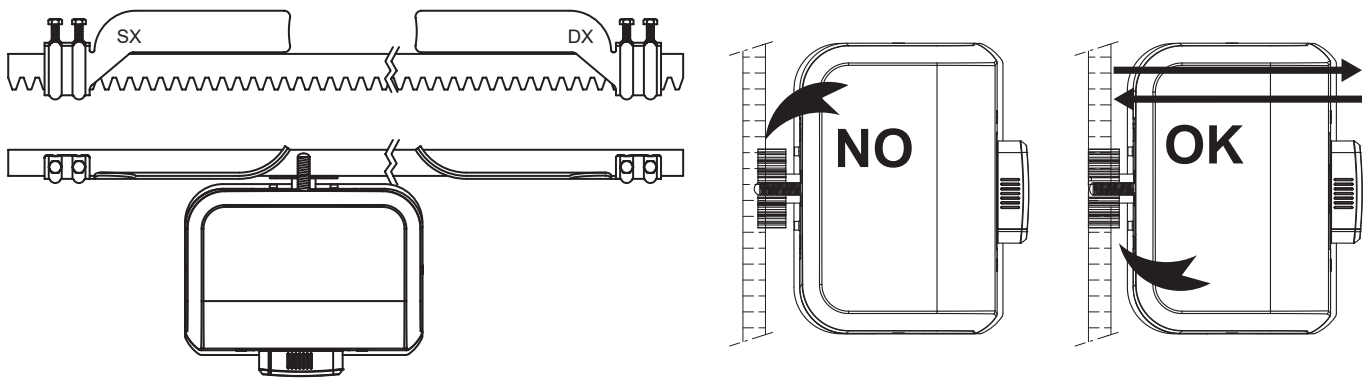
Proceed in this way over the entire length of the gate. **(Figure 2)**

Note: Help yourself to use one piece of rack to stabilize 2 pieces of racks.

(Figure 3)



E CHECKING FOR INSTALLATION



F EMERGENCY RELEASE

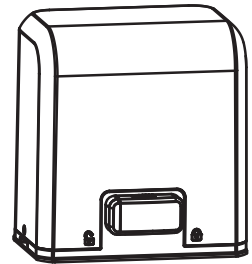
In the case of power failure for emergency release of the motor, please follow the procedure as below:

Step1. Push the lid of release chamber and move rightward

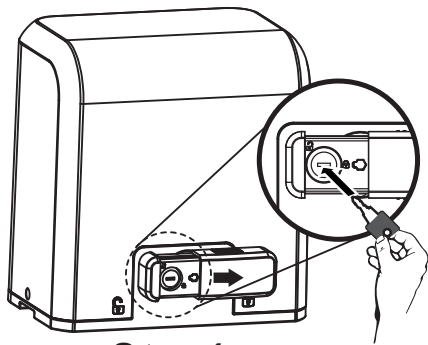
Step2. Insert the key and turn clockwise to unlock the device.

Step3. Turn counter-clockwise of the bar to release the motor

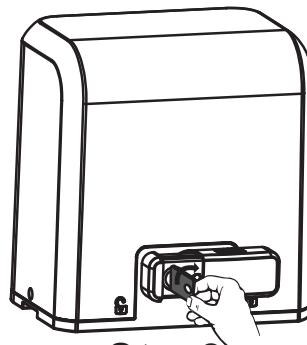
To restore the automation, simply reverse the above procedure.



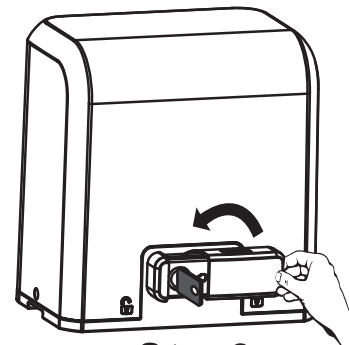
RELEASE



Step1

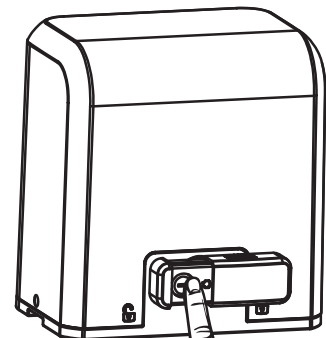
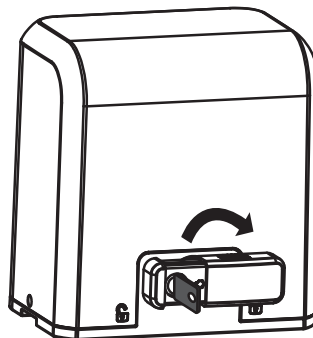
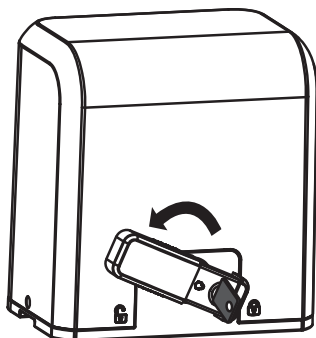


Step2



Step3

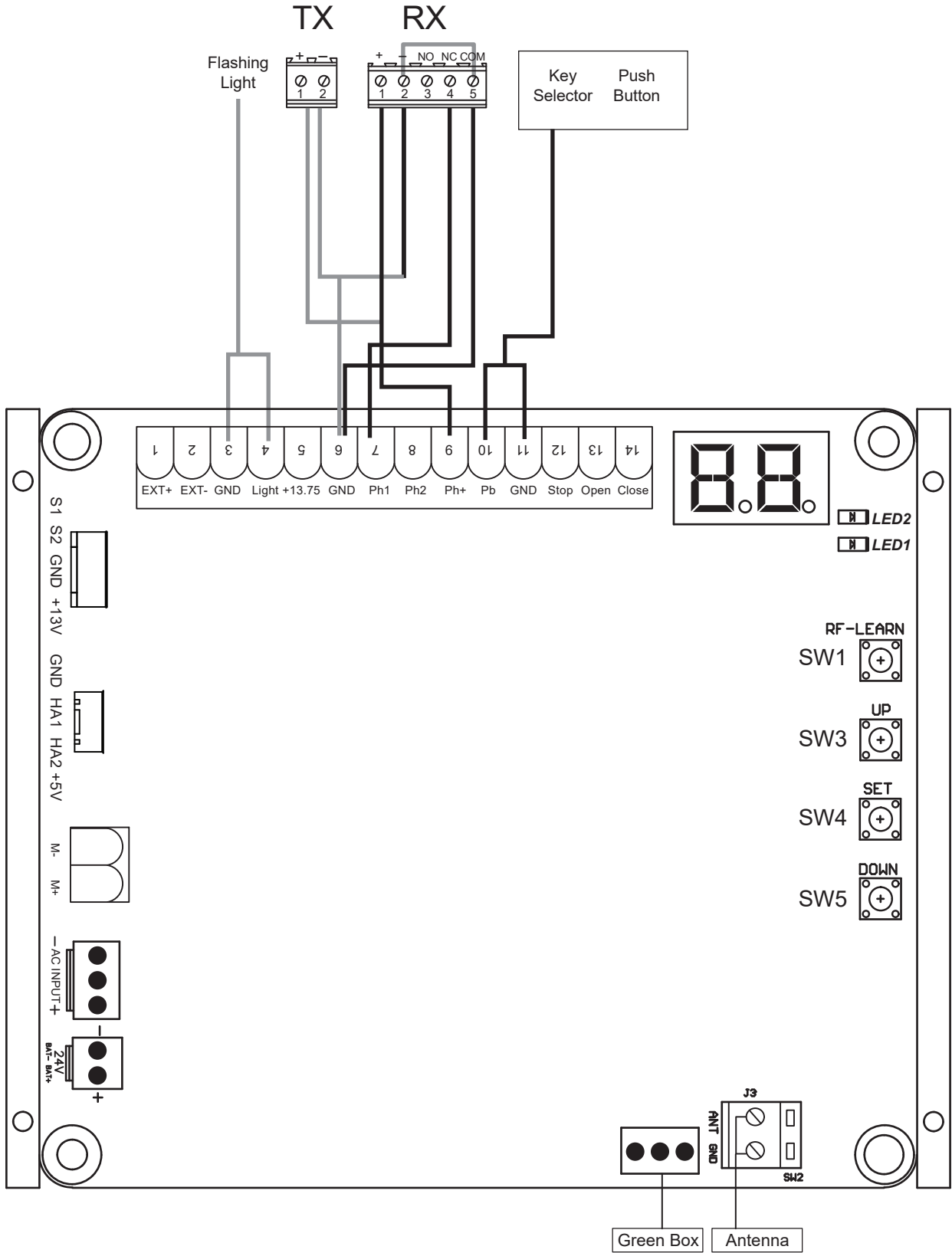
RESTORE



PUSH

3. SETUP AND FUNCTION SETTING

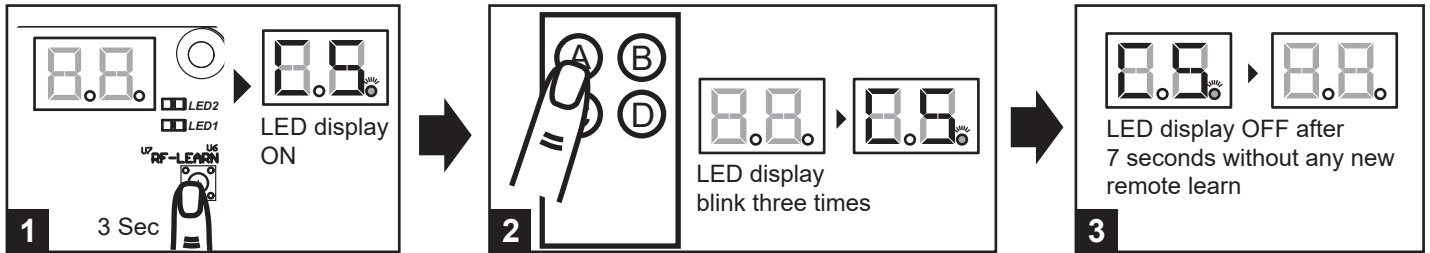
A WIRE CONNECTION



B TRANSMITTER MEMORIZING AND ERASING PROCESS

(1) Transmitter Memorizing: Press "RF Learn" button for 3 seconds, and the LED display shows "CS"; then press the transmitter left button (A); the LED display will blink three times and stay on, and after 7 seconds without any new remote learn then the LED will be off. The transmitter learning is completed. **1 2 3**

(2) Erasing Memory: Press "RF Learn" button for 10 seconds as right LED display shows "CC", then all the memory will be deleted.



C SYSTEM LEARNING, RESET PROCESS, AND LED DISPLAY

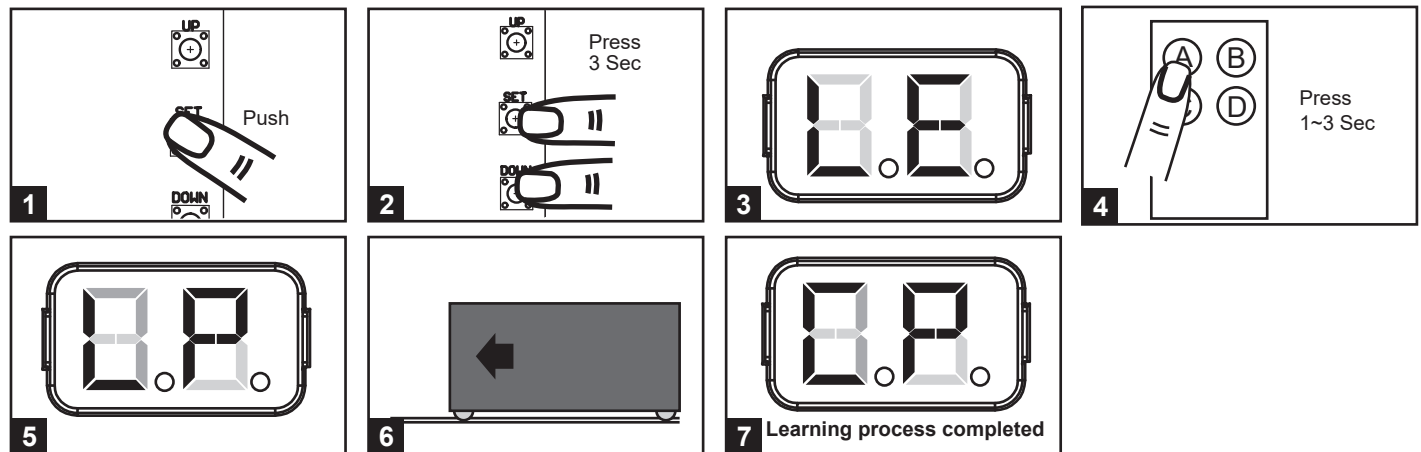
! CAUTION: Before proceeding to system learning, the transmitter memorizing process has to be completed.

(1) To Complete the System Learning:

Step1: Press "SET"; then press "SET" + "DOWN" for 3 seconds, and the LED display shows "LE" **1 2 3**

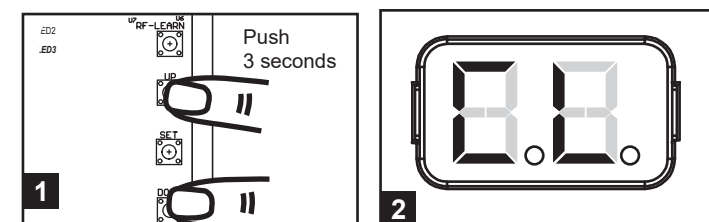
Step2: Press left button (A) on time, the LED display should show "LP" **4 5**

Step3: The gate goes to Auto-learning, please wait for the learning process to be completed **6**



(2) To Reset Factory Setting:

Press UP and DOWN for 3 seconds, and the LED display shows "CL"









(3) Motor current auto-detection

The LED display shows the current consumption of the motor



"0.4" : During the system learning procedure, the control panel will automatically detect the current consumption from each motor, indicate the resistance level of the gate while the motor operation. If this reading increase instantly or stay in high reading, please check if any object in between of the gate moving area, and contact your installer for inspection.

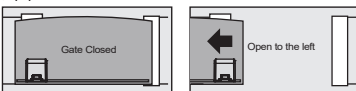
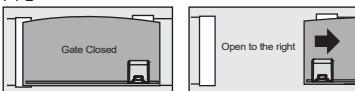
LED Display	Programmable Functions	LED Display	Programmable Functions
	"L": The system learning is not done.		"LE": Enter learning mode and then wait for learning instructions.
	"OP": The system is in normal operation To program, press SET button for 3 seconds, when the LED display change from OP to 1, press UP or DOWN to change function settings (1 to P). Then press SET to enter the sub function within each group, press UP or Down to select sub functions and press SET for confirmation.		"LP": The system learning is in progress. The Auto-learning process of gate moving: "Gate open to the end- stop close to the end- stop."
	"CP": system learning completed.		"CL": Reset Factory Setting.

D HOW TO SET THE PARAMETER:

Step 1: Press the "Set" key for 3 seconds, the display will show the function code.

Step 2: Choosing the setting by Up and Down keys, after having chosen the indicated item, press the Set key and enter the setting of this function. The second digit will be shown on the right of the display, indicating the related function (please refer below chart for details). Using the Up and the Down Keys to choose the setting function and press the Set key to save.

E PROGRAMMABLE FUNCTION SETTINGS

LED	Definition	Function	Value	Description
1	Operation Direction	1-1 1-2	Open to the left Open to the right	1. The function can adjust the direction of gate opening. 2. The default setting is 1-1.
		1-1		
		F1-2		
2	Auto-Closing	2-0 2-1 2-2 2-3 2-4 2-5 2-6 2-7 2-8	No auto close (Default) 5 seconds 15 seconds 30 seconds 45 seconds 60 seconds 80 seconds 120 seconds 180 seconds	1. The function can be used to close the gate automatically after the paused time. 2. The default setting is 2-0 : 15 Secs as the paused time. 3. Auto close function can be locked by press and hold "D" key for two sec. the gate will get to fully open position and all the operation will be locked until press and hold the "D" key for 2 sec to activate the auto close function again.
3	Safety Device Function Mode	3-1 3-2 3-3	Please refer to F3 function settings at page 9	1. Please do the function setting after H & J 2. The default setting is 3-1.
4	opening operation speed	4-1 4-2 4-3 4-4	50% operating speed, 50% learning speed 70% operating speed, 50% learning speed 85% operating speed, 50% learning speed 100% operating speed, 50% learning speed	1. The function can adjust the running speed of motor. 2. The default setting is 4-4. Motor operation from deceleration zone: the motor will follow the learning speed until it touch the limit switch Motor operation from other zone: The motor will cost 1 sec from stop to full speed and it will stop till it approaches the limit switch.
5	closing operation speed	5-1 5-2 5-3 5-4	50% operating speed, 50% learning speed 70% operating speed, 50% learning speed 85% operating speed, 50% learning speed 100% operating speed, 50% learning speed	1. The function can adjust the running speed of motor. 2. The default setting is 5-4. Motor operation from deceleration zone: the motor will follow the learning speed until it touch the limit switch Motor operation from other zone: The motor will cost 1 sec from stop to full speed and it will stop till it approaches the limit switch.
6	Deceleration point	6-1 6-2 6-3 6-4 6-5	75% 80% 85% 90% 25%	1. The default setting is 6-1
7	Deceleration speed	7-1 7-2 7-3 7-4	80% 60% 40% 25%	1. The default setting is 7-3

LED	Definition	Function	Value	Description
8	Opening Overcurrent Setting	8-1 8-2 8-3 8-4 8-5 8-6 8-7 8-8 8-9 8-10	4A 5A 6A 7A 8A (Default) 9A 10A 11A 12A 13A	1. The function can adjust the running force of motor to be compatible with the gate weight. 2. The default setting is 8-5 . WARNING: The maximum overcurrent for 500kg motor is 10A, it may have the potential risk if the adjustment over 10A current.
9	Closing Overcurrent Setting	9-1 9-2 9-3 9-4 9-5 9-6 9-7 9-8 9-9 9-10	4A 5A 6A 7A 8A (Default) 9A 10A 11A 12A 13A	1. The function can adjust the running force of motor to be compatible with the gate weight. 2. The default setting is 9-5 . WARNING: The maximum overcurrent for 500kg motor is 10A, it may have the potential risk if the adjustment over 10A current.
A	Pedestrian Mode	A-1 A-2 A-3 A-4 A-5 A-6	3seconds 6seconds 9seconds 12seconds 15seconds 18seconds	1. The function can adjust the time of opening partially. The default setting is A-2 .
C	Flashing Light If the motor stop by over current or limit switch, the flashing light will keep blinking for 1 minute	C-0 C-1 C-2	The motor and flashing light will operate at the same time Followed with FC-0, the flashing light will keep blinking for 1 minute after the motor stop Followed with FC-0, the flashing light will keep blinking for 10 minutes after the motor stop	The default setting is C-0 .
E	Over Current Reaction	E-0 E-1 E-2 E-3	Stop Reverse 1 second and stop Reverse 3 seconds and stop Reverse to the end	1. The default setting is E-3 . 2. The reverse function only operates 3 times and stops. 3. If gate reverses, the auto-closing function will be cancelled.
F	Main Operation Key	F-1 F-2 F-3 F-4	A key B key C key D key	1. The default setting is "F-1".
H	Pedestrian function	H-0 H-1 H-2 H-3 H-4	No function A key B key C key D key	The default setting is H-2 .
J	External Device Key	J-0 J-1 J-2 J-3 J-4	No function A key B key C key D key	The default setting is J-3 .
L	Photocell 1 Activation	L-0 L-1	Function OFF Function ON	1.The default setting is L-0 .
P	Photocell 2 Activation	P-0 P-1	Function OFF Function ON	1.The default setting is P-0 .
U	PCB Stop Terminal Activation	U-0 U-1	Function OFF Function ON	1. Default setting U-0 .
A.	PB Terminal Function	A.-1 A.-2 FA.-3	Open-Stop-Close-Stop Open Only Pedestrian Mode	1. Default setting A.-1 .
C.	Open Terminal Function	FC.-1 FC.-2 FC.-3	Open-Stop-Close-Stop Open Only Pedestrian Mode	1. Default setting C.-2 .

- 3 function settings:

Logic 3-1 The reactions of the photocells when detecting obstacles

Gate Status	Photocell 2	Photocell 1
Closed	Not allow to open	No effect
Open	No effect	Reload auto-closing time or stop
Stop during moving	Not allow to open	Reload auto-closing time or stop
Closing	Open	Open
Opening	No effect	No effect

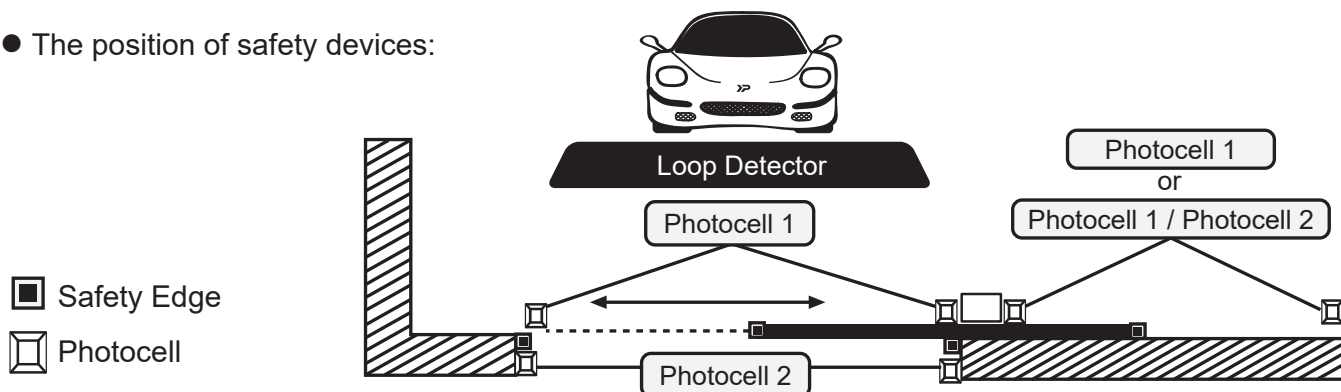
Logic 3-2 The reactions of the safety edge/ photocell when detecting obstacles

Gate Status	Safety Edge	Photocell 1
Closed	Not allow to open	No effect
Open	Reload auto-close time or stop	Reload auto-closing time or stop
Stop during moving	Not allow to open or close	Reload auto-closing time or stop
Closing	Reverse to open for 2 sec	Close
Opening	Reverse to close for 2 sec	No effect

Logic 3-3 The reactions of the loop detector/ photocell when detecting obstacles

Gate Status	Loop Detector	Photocell 1
Closed	Open	No effect
Open	Reload auto-closing time or stop	Reload auto-closing time or stop
Stop during moving	Open	Reload auto-closing time or stop
Closing	Open	Open
Opening	No effect	No effect

- The position of safety devices:



F RECOGNITION OF LED

LED Indication	Descriptions
LED1 Photocells Indicator	LED1 will be on when the first pair of the photocells are activated.
LED2 Photocells Indicator	LED2 will be on when the second pair of the photocells are activated.

4. Technical Characteristics:

A TECHNICAL DATA SHEET OF SERIES

Motor	BOXER500E	BOXER800E
Gear type	Worm Gear	Worm Gear
Peak thrust	5500N	7500N
Nominal thrust	5000N	7000N
Engine RPM	3800RPM	3600RPM
Absorbed Power	120W	144W
Power supply	24 Vdc	24 Vdc
Nominal input power	5A	6A
Maximum gate weight	Up to 500 KG	Up to 800 KG
Maximum gate length	6M	8M
Operating Temperature	-20°C~+50°C	-20°C~+50°C
Dimension LxWxH mm.	250*170*265mm	250*170*265mm
Weight	8kg	9.5kg
Speed	27.10 cm/s	25.67cm/s

B H2 PHOTOCCELL DATA SHEET

Detection type	Through beam
Operating distance	15 meters
Response time	100ms
Input voltage	AC/DC 12~24V
Operating Temperature	-20°C~+60°C
Protection class	IP54
Dimension	96mm * 45mm * 43mm

C TM3 TRANSMITTER DATA SHEET

Application	Radio transmitter
Frequency	433.92Mhz
Coding	Rolling code
Buttons	4, for single-gate or dual-gate operation
Power Supply	3V with one CR2032 button type lithium battery
Operating Temperature	-20°C~+50°C
Dimension	71.5mm * 33mm * 14mm

D FL2 FLASHING LIGHT DATA SHEET

Application	For outdoor use
Installation	Wall mounted vertically
Operating Temperature	-20°C~+50°C
Dimension	85mm * 60.5mm * 40.5mm