

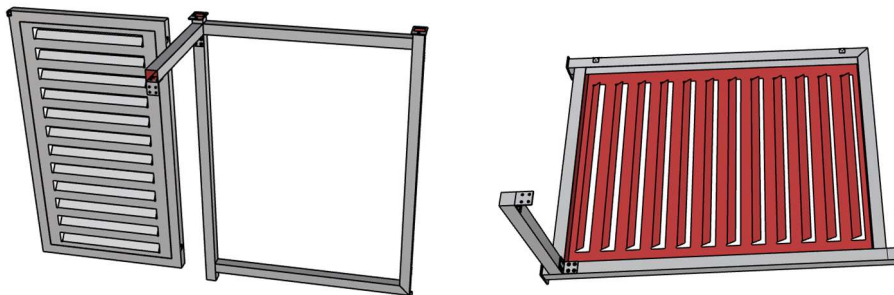
## Assembly of extension with 3<sup>rd</sup> door to the EasyScreen



### Install the Rear Frame Support:

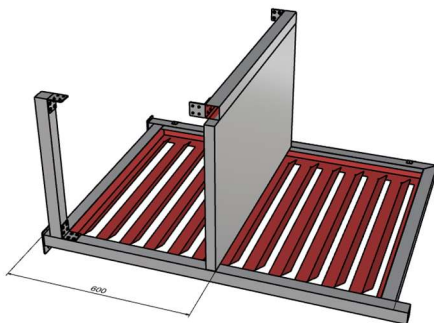
Place left louvre wall frame on ground with **the hinge pins facing up**.

Position the Support on the bottom right side (next to the foot plates) in-line with the bottom of the frame. Position the brackets facing to the top of the frame and fasten to the louvre wall frame with 4 x screws supplied.



### Install the Extension Shelf:

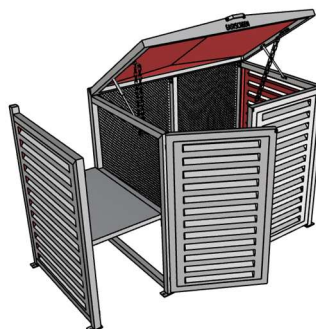
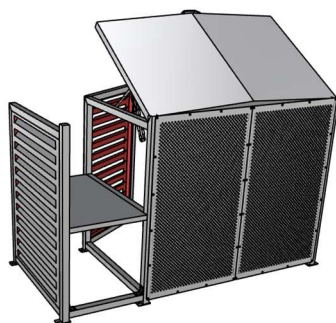
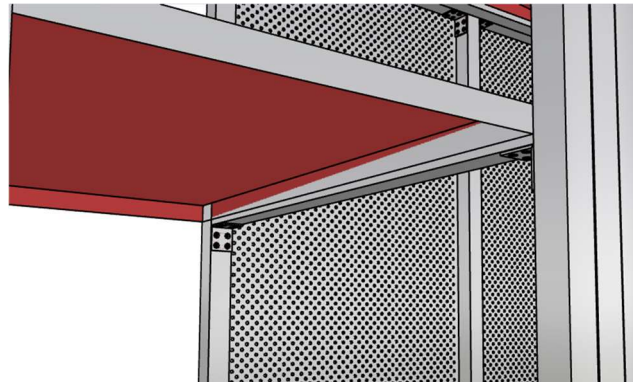
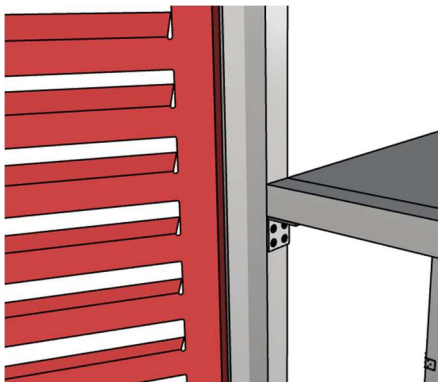
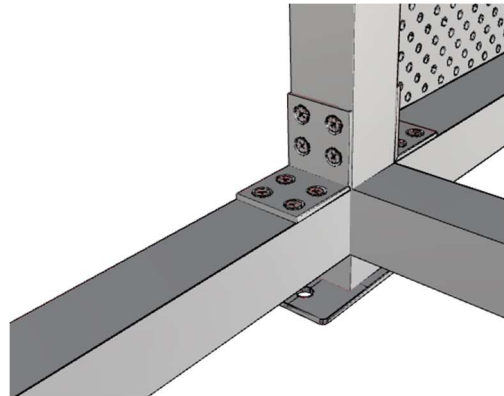
Measure and mark 600mm from the bottom of the louvre wall **frame foot**. Do the same on the other side as per the sketch. This will be the top of the shelf when installed.



Place the shelf onto the frame so the measured 600mm is the top of the shelf and the left side of the shelf is in-line with the left side of the louvre wall frame. Fasten shelf to the frame with the supplied screws.

Joining the Extension to the 2-door unit:

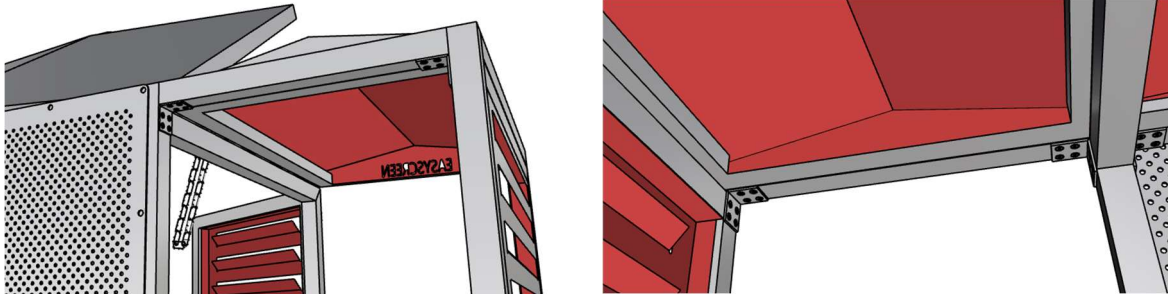
Measure and mark 600mm from the ground (bottom of frame foot) on both sides of the left wall of the 2-door unit. This is where the shelf will be fastened. With assistance of another person, gently pick up the extension unit and position against the 2-door unit as per the sketch and fasten into position.



### Installing the Extension Lid:

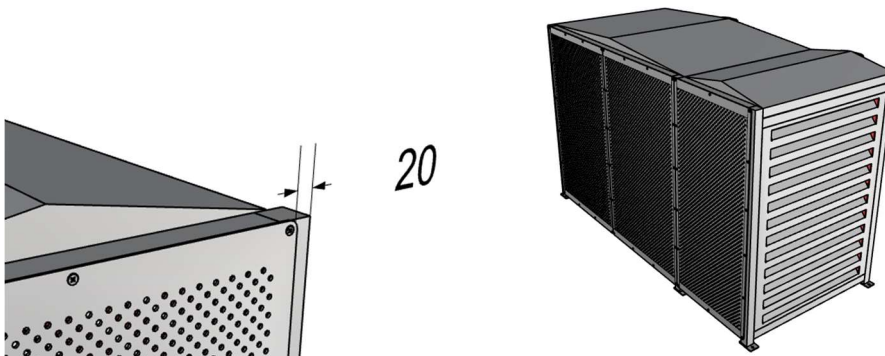
Position the lid onto the extension frame in-line with the 2-door lid with the brackets to the rear.

Fasten the brackets with the supplied screws



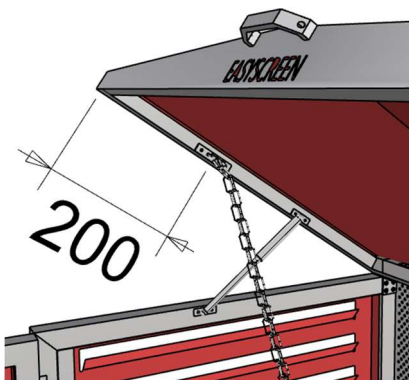
### Installing the rear Perforated Panel:

You will need to fit the panel from the rear and it is a good idea to have someone assist you. Line the extension panel with existing panel so they touch in the middle and level with the top of the horizontal support. Fasten with the supplied screws starting from the top at the point where the two panels meet then half way down (where the 2 panels meet).



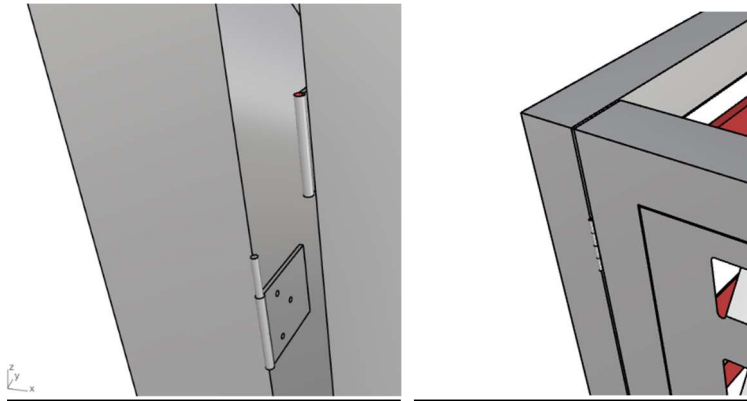
Important: Check the top of the panel is in-line with the extension lid hinge support to maintain squareness of the unit.

### Installing the Extension Strut and Chain:



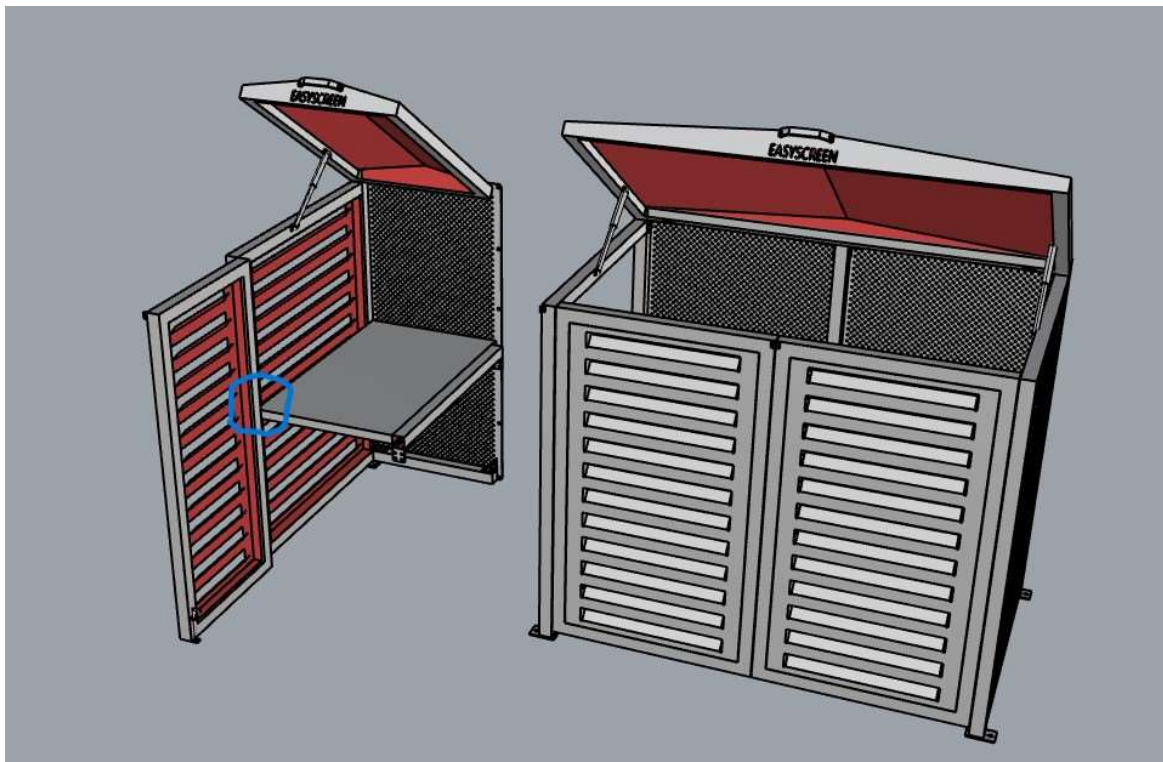
### Installing the Extension Door:

As per the other 2 doors, fit the door to the hinge pins on the extension frame. Test close the door to see if the door lines up with the frame. If you find the door requires more clearance, remove the screw between the shelf and the left frame and add the spacer provided. Test the door closes correctly.



### Check door fitment:

Open and close the door to check door will clear the frame of the screen. If you find it is too tight, install the square spacer washer supplied between the wall and the shelf.



Installing the Extension Door Latch and Handle:

Position the latch in the top right corner as per the 2-door unit and fasten to the door frame with the supplied self-tapping screws. Install the handle to the Lid using the screws and nuts supplied.

