



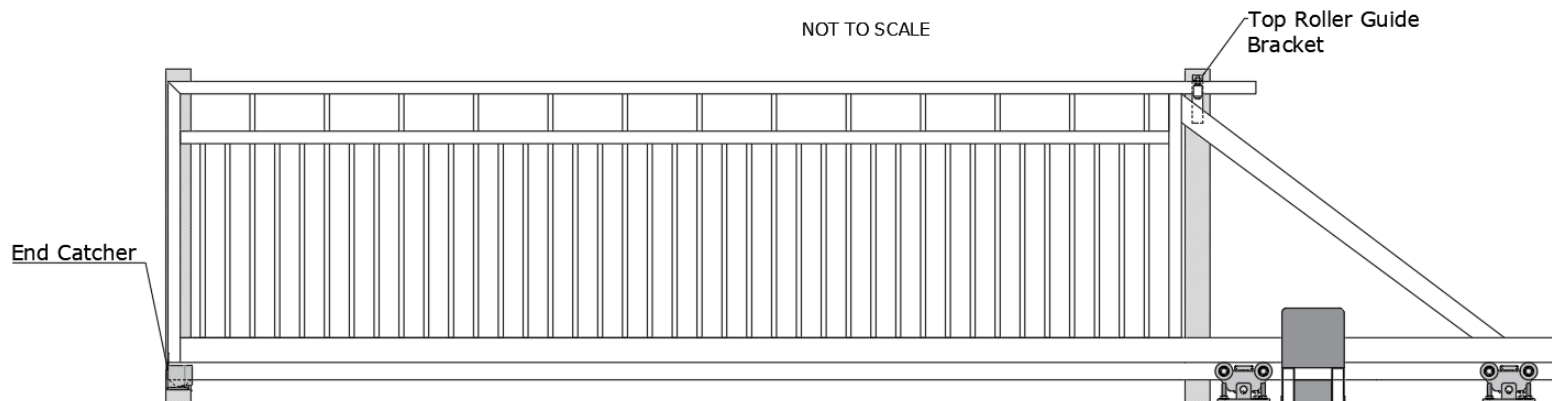
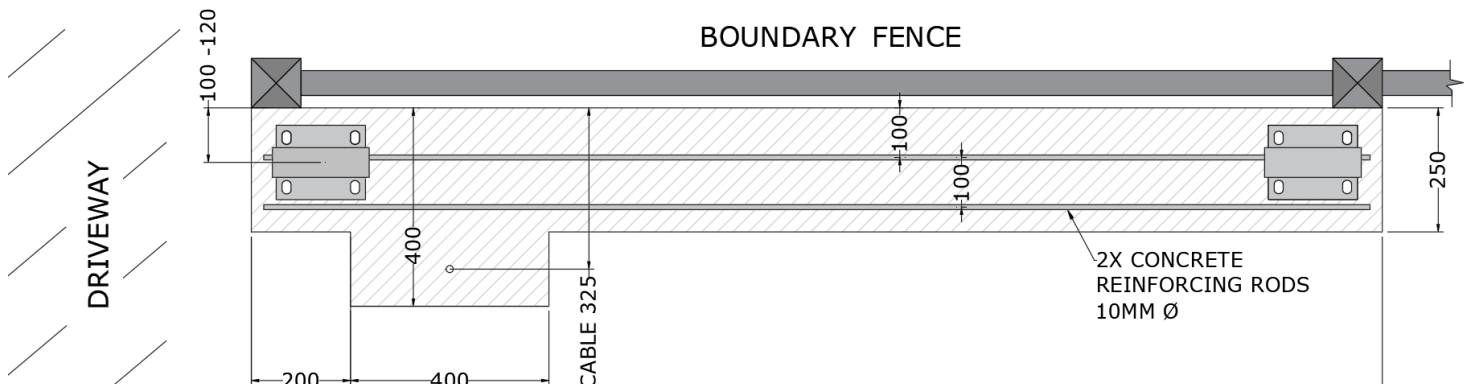
# How to install an *EasyGate Cantilever Sliding Gate*

Call us on 0800 774 636 or visit [www.easygate.co.nz](http://www.easygate.co.nz)  
 11 Hotuhotu Street, Tauriko Business Estate, Tauranga  
 E: [info@easygate.co.nz](mailto:info@easygate.co.nz)

KEYS					
Carriageway	Anchor Pins	Temp. Alignment Plate	Raised Mounting Pad	End Catcher	Top Roller Guide Bracket

## Overview

The following sketch shows the recommended dimensions for a standard installation of a post gap between 3 and 4 meters. These should be used as a guideline only.

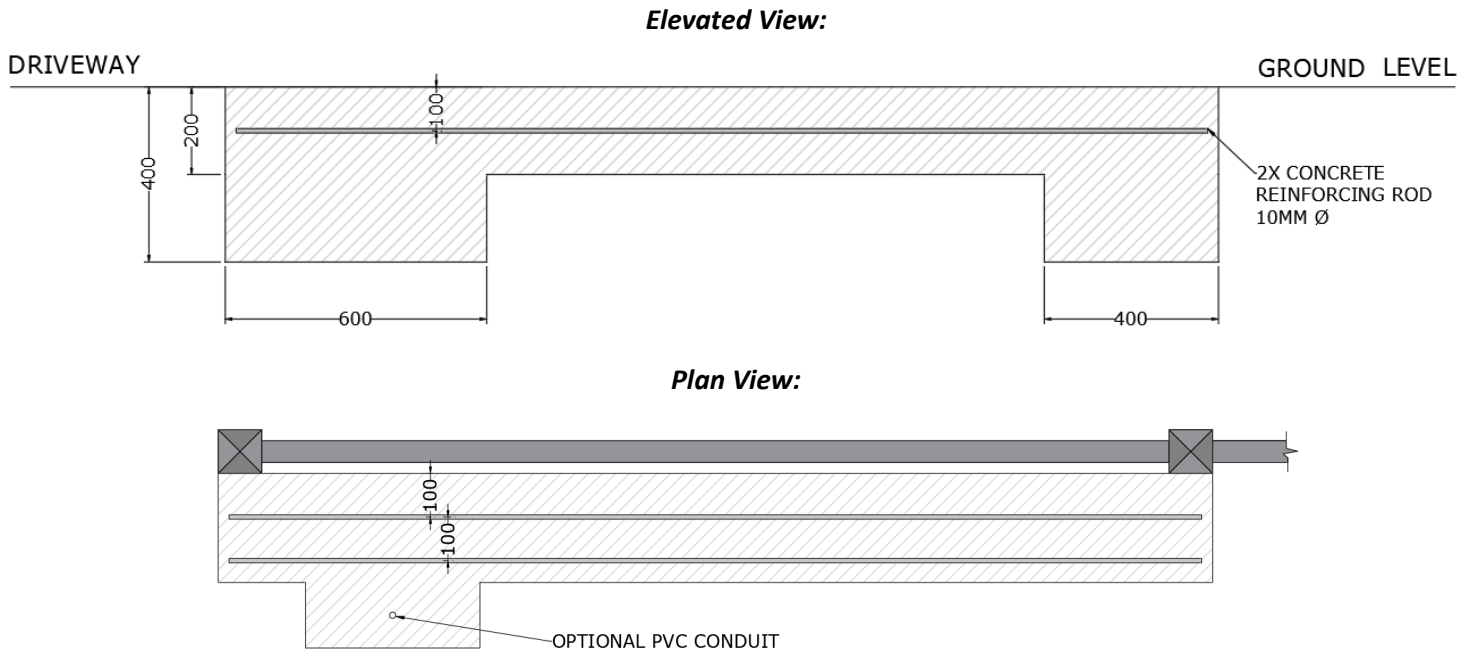


## Step 1

## Foundations & Reinforcement

- The Cantilever requires solid foundations to allow the gate to move smoothly without sagging in the fully open position.
- Complete concrete boxing as shown below and add 2x concrete reinforcing rods prior to pouring.
- Optional: add a PVC Conduit for the motor cable

*Note: Move onto Step 2 straight away as you will need to allow time for the anchor bolts to be inserted before the concrete sets.*

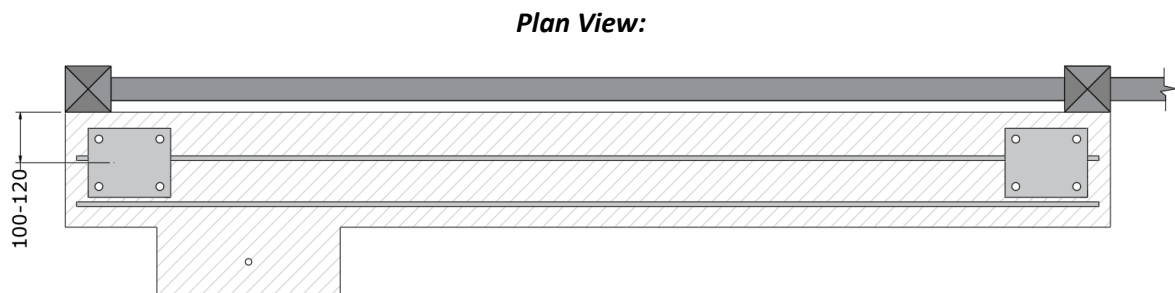


## Step 2

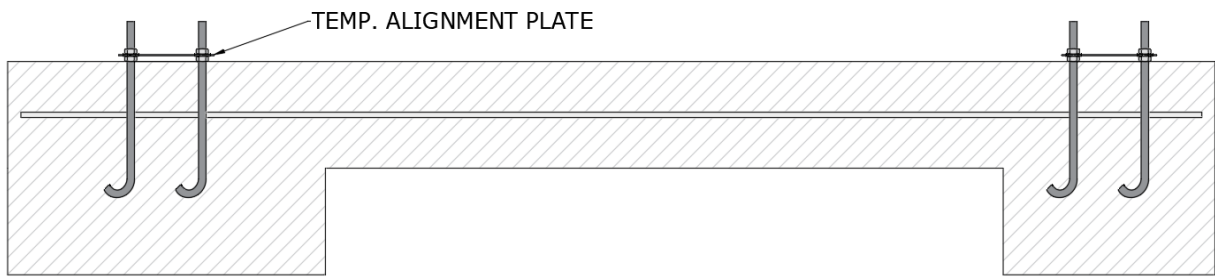
## Adding the 8x Anchor Bolts

- Needs to be done before concrete sets
- Use the temporary alignment plate to position the anchor bolts with the bottom nuts on top of concrete. Ensure the anchor bolts don't make contact/hit the reinforcing rods.

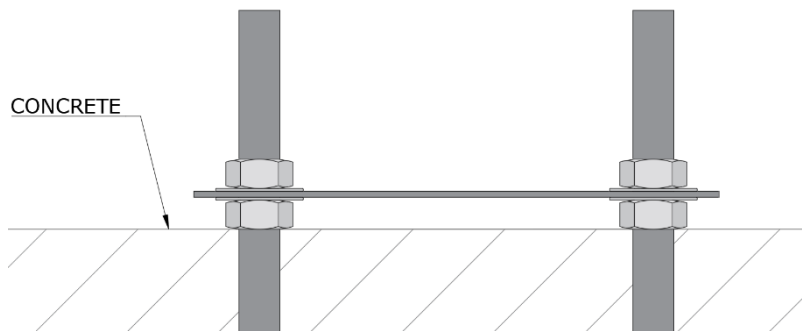
*Note: Be sure to have the long 180mm side of the temporary alignment plate parallel to your fence (the long side).*



**Elevated View:**



**Details:**

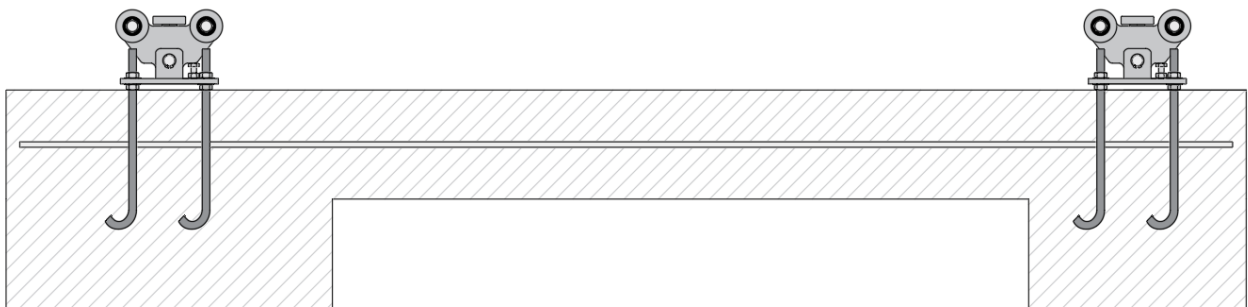


**Step 3**

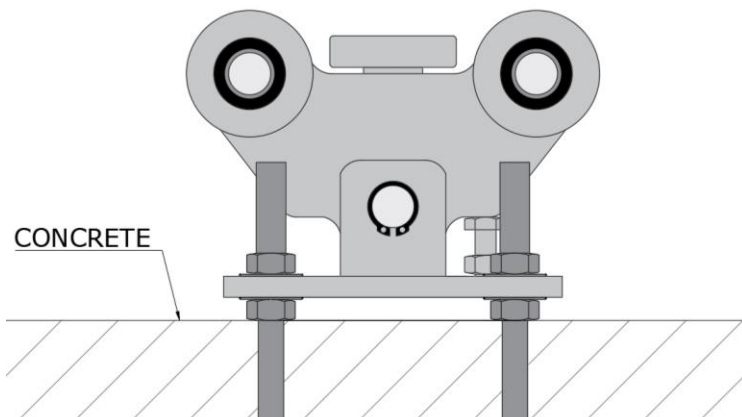
**Installing the 2x Carriageways**

- Once the concrete sets per manufactures recommendation and the anchor bolts are firmly set in place, you can remove the temp alignment plate (or chose to leave it in place) and replace it with the carriageway.
- You must leave the bottom nut/washers on the anchor bolts before fitting the carriageway. This is to allow for height adjustments to be made.

**Elevated View:**



**Details:**



## Step 4

## Installing the Sliding Gate

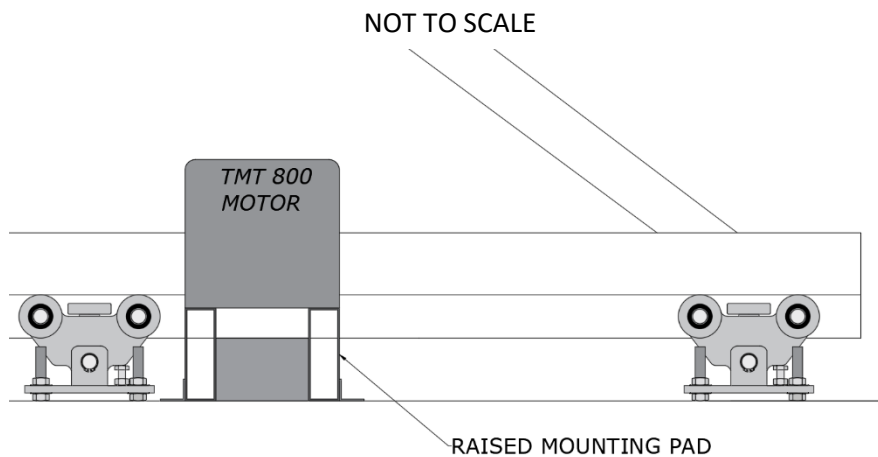
- **WARNING:** Do not let gate overrun the fully opened/closed position or the gate will fall over.
- Carefully align the gate onto the carriageway wheels and temporarily support the top of the gate to prevent any movement while top guide bracket and end catcher location is marked on your posts.
- Move the gate left and right carefully to obtain the correct sliding alignment of the gate.
- Mark and fasten the top roller bracket to your post.
- Level the gate by adjusting the carriageway nuts.
- Mark and fasten the fully closed end catcher to the opposite post, allowing for the rail roller to smoothly mount the gate catcher.
- Install the rear gate stop so the gate will not overrun. The gate must move smoothly left and right, with as little friction as possible.

## Step 5

## Mounting the Boxer Motor

- EasyGate recommend you use the raised mounting pad specifically designed for this application.
- Fasten the motor on the pad and temporarily place a gear rack on top of the sprocket of the motor, and up against the bottom aluminum gate frame.
- Mark and drill into the concrete foundation the pad anchor points.
- Follow standard installation procedures for the boxer motor supplied with the kit

*Elevated View (with motor on raised mounting pad):*



*Plan View (with just raised mounting pad):*

