

EasyScreen – Wheelie Bin – 2 Door Assembly Guide



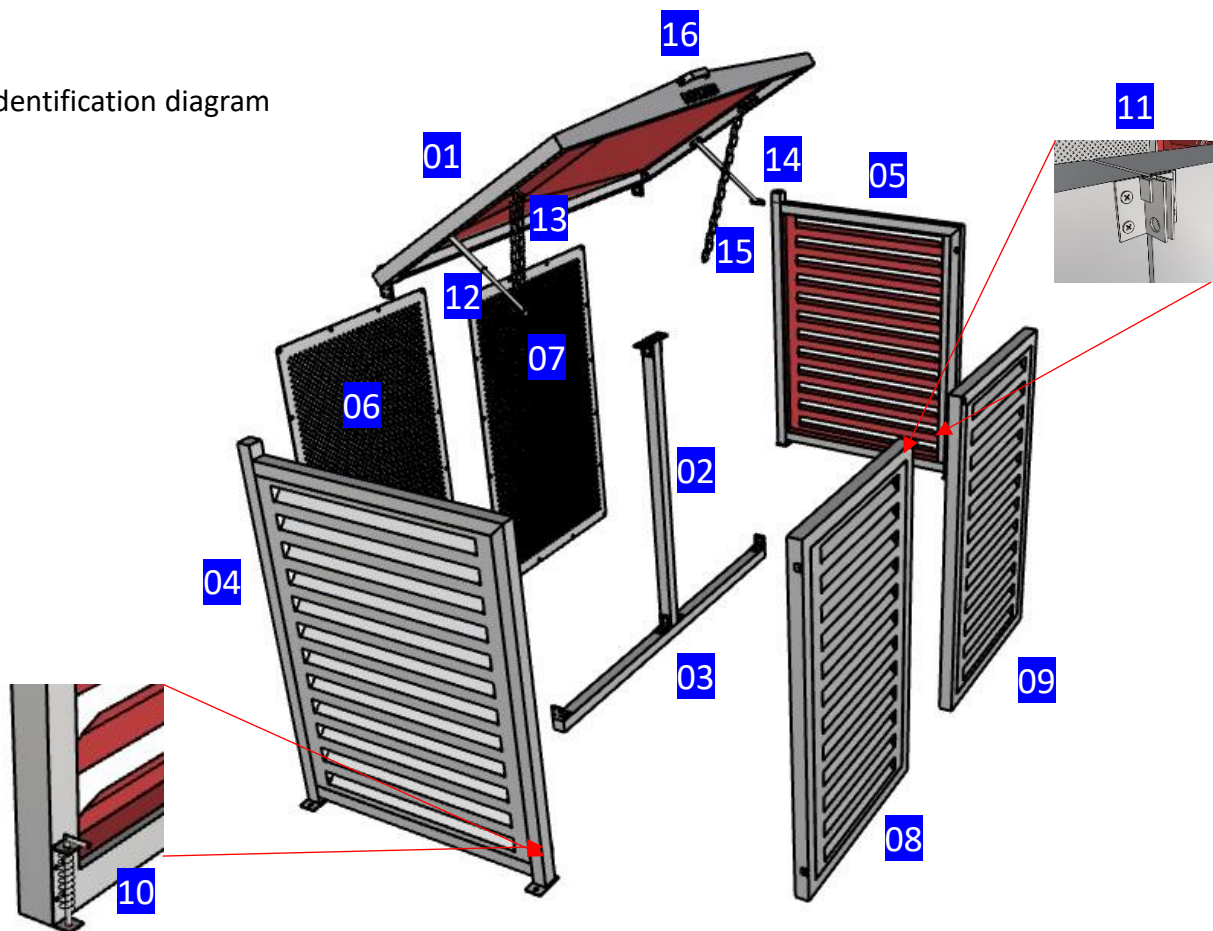
What you need to install:

- Cordless Drill/Concrete drill bit 6mm
- Phillips head Driver bit
- 5/16th hex drive bit
- Tape Measure
- Masking tape/marker

Helpful Hint: Avoid over tightening screws or you will strip the alloy material. Flatten the packaging cardboard box and place on a level area to protect paintwork of screen while assembling.

This is a basic install guide only as some installations may require further advice and different fasteners for connecting the screen to ground.

Part identification diagram



01 – Top lid

02 – Rear Vertical Support

03 – Rear Horizontal Support

04 – Left Louvre Frame

05 – Right Louvre Frame

06 – 1st Back Panel

07 – 2nd Back Panel

08 – Left Louvre Door

09 – Right Louvre Door

10 – Ground Door Latch

11 – Door Lock

12 – Left Strut

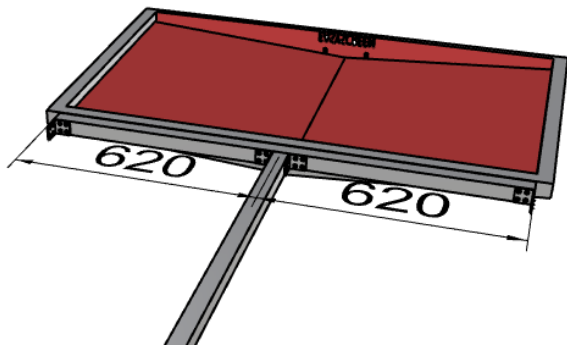
13 – Left Chain Saddle

14 – Right Strut

15 – Right Chain Saddle

16 – Handle

STEP 1: Assemble the top lid (1) with rear vertical support (2)



1.1

Lay the packaging box flat on the ground to protect the paint of your screen whilst assembling.

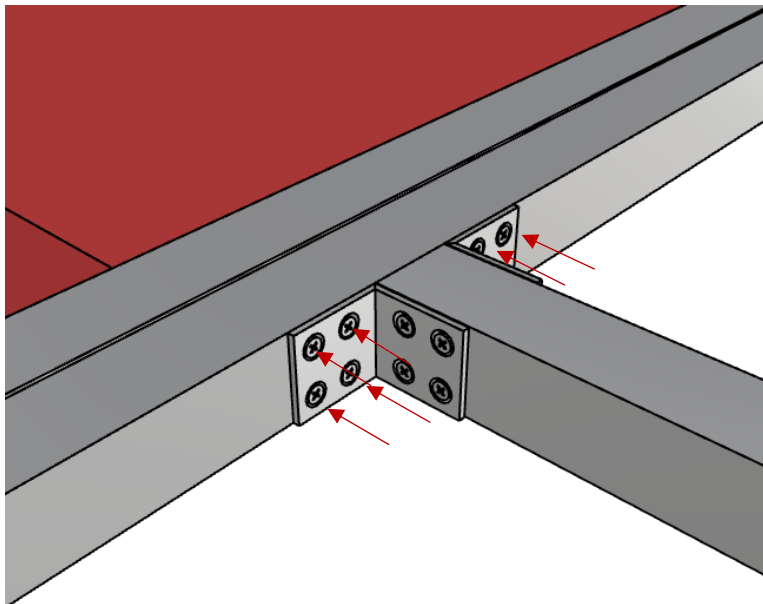
Place the top lid upside down onto the cardboard

1.2

Measure 620mm from each end of the rear frame of the lid (1) and mark the central point to fix the Rear Vertical Support.

1.3

Using self-tapping screws supplied, fasten the Rear Vertical Support brackets to the Rear Lid Frame.



STEP 2: Assemble the Rear Horizontal Support (3) to the bottom of the Rear Vertical Support (2)

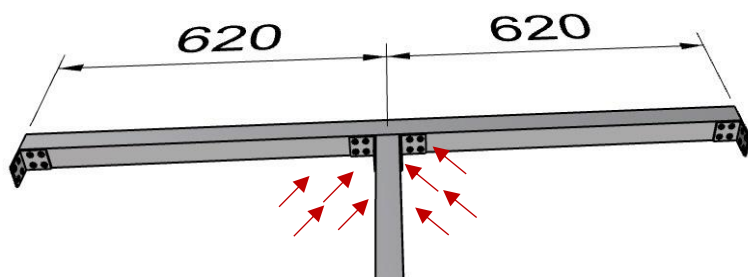
2.1

Measure 620mm from each end of the Horizontal Support and mark the central point for fastening the bottom of the Vertical Support.

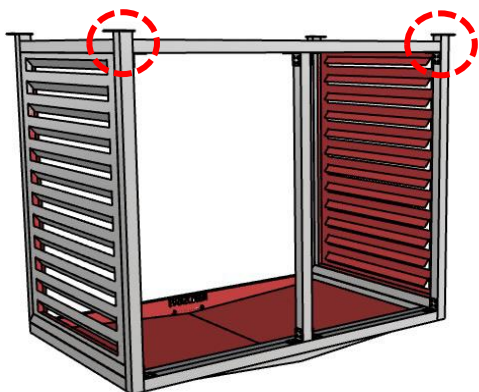
2.2

Using the supplied self-tapping screws, fasten the Horizontal Support to the Vertical Support.

You now have a rear frame to which the side panels can be fastened to.



STEP 3: Assemble the Left Louvre Frame (4) and Right Louvre Frame (5)

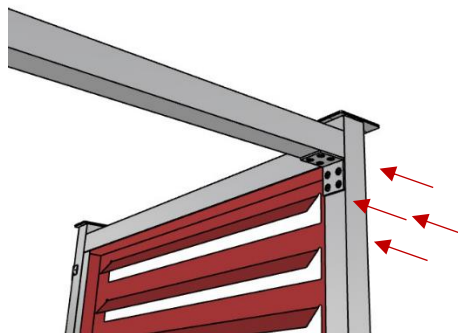
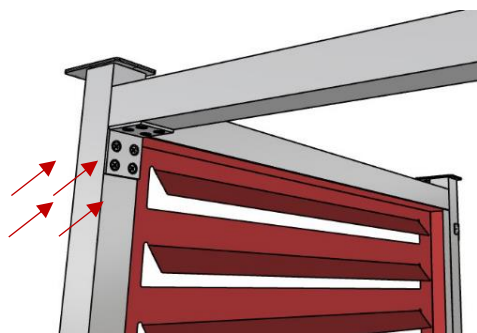


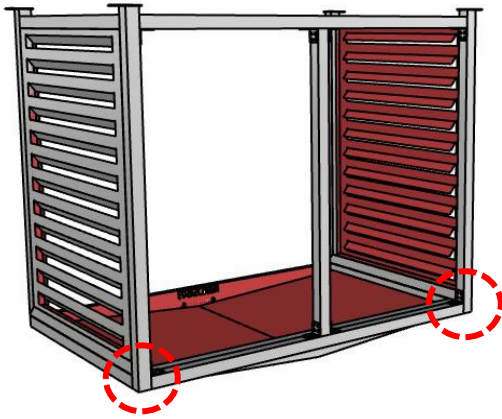
3.1

Bring the assembled rear frame into the upright position and fasten right and left Louvre frames as per 3.2 below using the self-tapping screws.

3.2

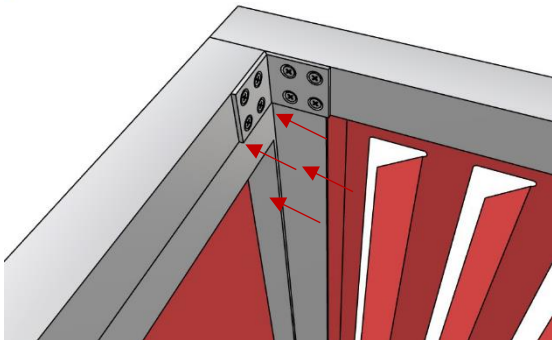
HINT: Use masking tape to identify correct alignment of rear frame to right and left Louvre frames





3.4

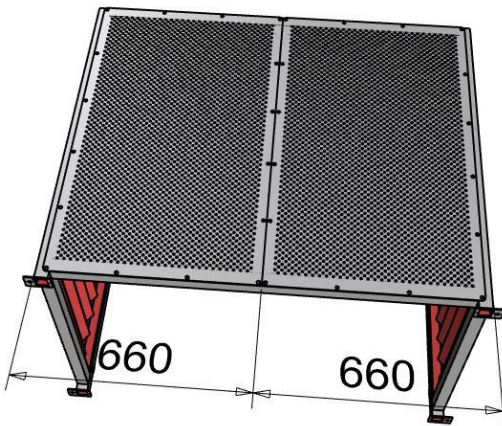
Fasten the other ends of the Louvre Frames to the lid hinged support below using the self-tapping screws.



3.5

Rotate the screen with the front facing down onto the cardboard and complete fastening lid support to side louvre frames below using the self-tapping screws.

STEP 4: Assemble the back Perforated Panels (6) and (7) to the back frame



4.1

Mark 660mm from each side to locate the central position of the rear frame. Do the same at the other end.

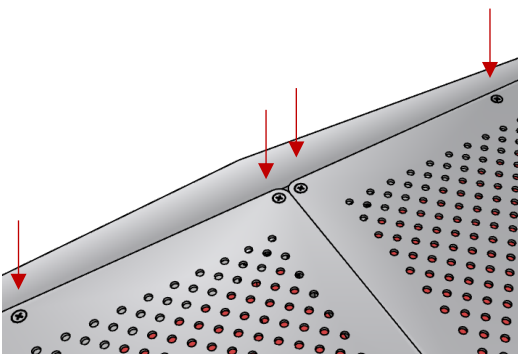
4.2

Position both perforated panels so they touch at your central marks on the frame.

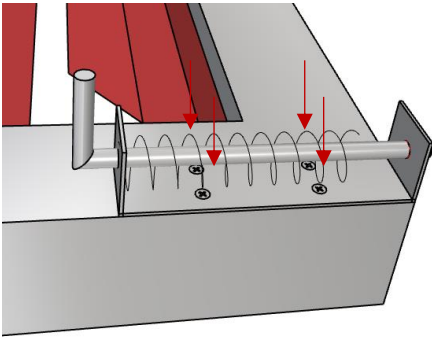
HINT: You MUST have the top and bottom frame line up with the edge of the perforated panels which will confirm squareness of the frame once positioned on level ground.

4.3

Fasten the Back Perforated Panels to the frame below using the self-tapping screws.

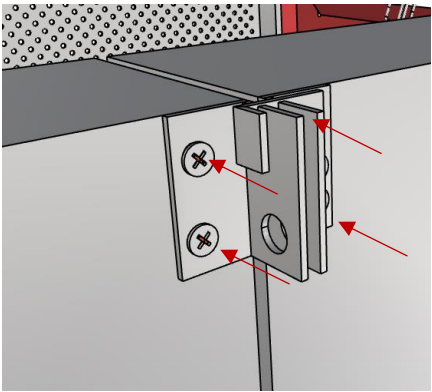


STEP 5: Assemble Ground Latch (10), Door Lock (11), Left Door (8) and Right Door (9)



5.1

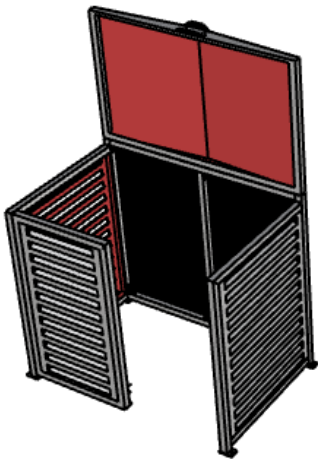
Place the Left Door on the frame of the screen and mark the inside bottom corner where the Ground Latch will mount. Remove the door and place on the cardboard with the inside facing up. Fasten the Ground Latch to the door.



5.2

Place both Left Door and Right Door on the ground, and fasten the Door Lock on the top center of each door.

HINT: Allow a 5 mm gap between the doors for clearance.



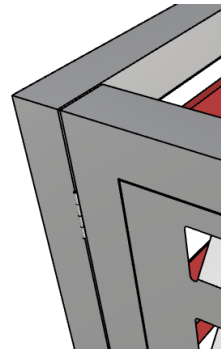
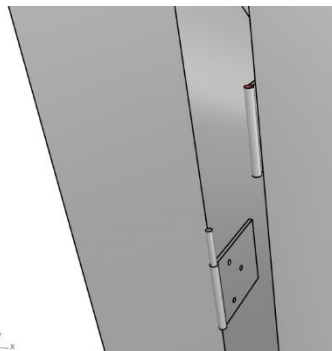
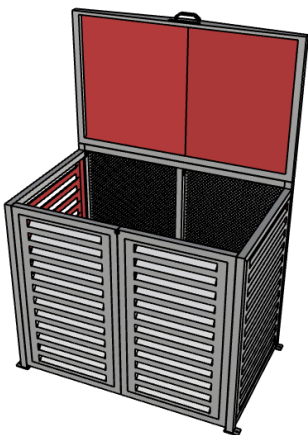
5.3

Assemble the left door onto the hinge pin on the left frame (4) and push down firmly while rotating the door side to side.

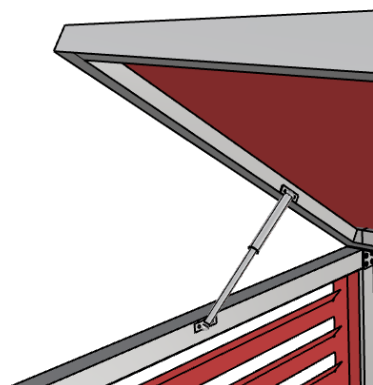
HINT: If it gets stuck, you may need to remove excess powder paint on the hinge pin using a sharp knife.

5.4

Repeat 5.3 for the Right Door.



STEP 6: Assemble the Left Strut (12) and Chain Saddle (13)

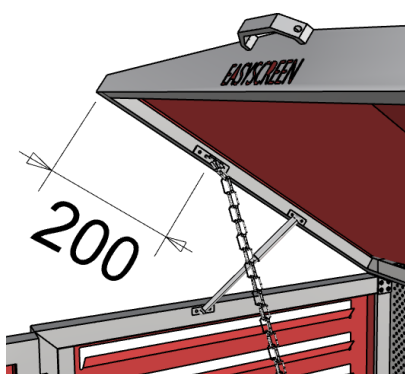


6.1: Have a helper hold the lid up while you install the Strut using the 4 x HEX screws provided onto the predrilled holes of the side louvre frames and underside of the lid.

NOTE: The Strut is positioned with the Strut ram down to prevent water entering the main housing of the Strut when lid is up.

6.2

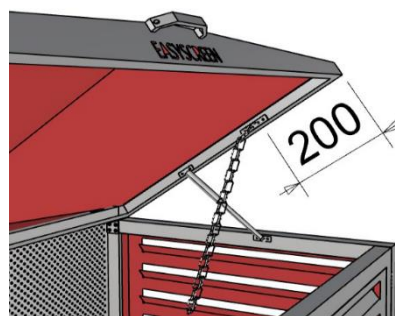
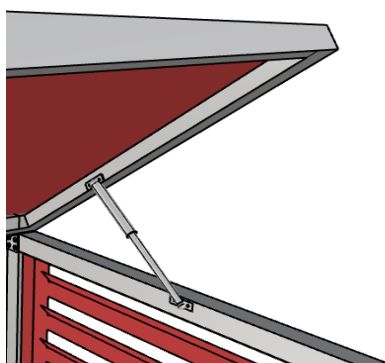
Mark 200mm from the top of the Lid to the center point of the Chain Saddle and fasten using self-tapping screws.



6.3

Clip the chain to the saddle.

STEP 7: Assemble the Right Strut (14) and Chain Saddle (15) as per 6.1, 6.2 and 6.3



STEP 8: Assemble the Lid Handle (16) using a Phillips Head screw driver

