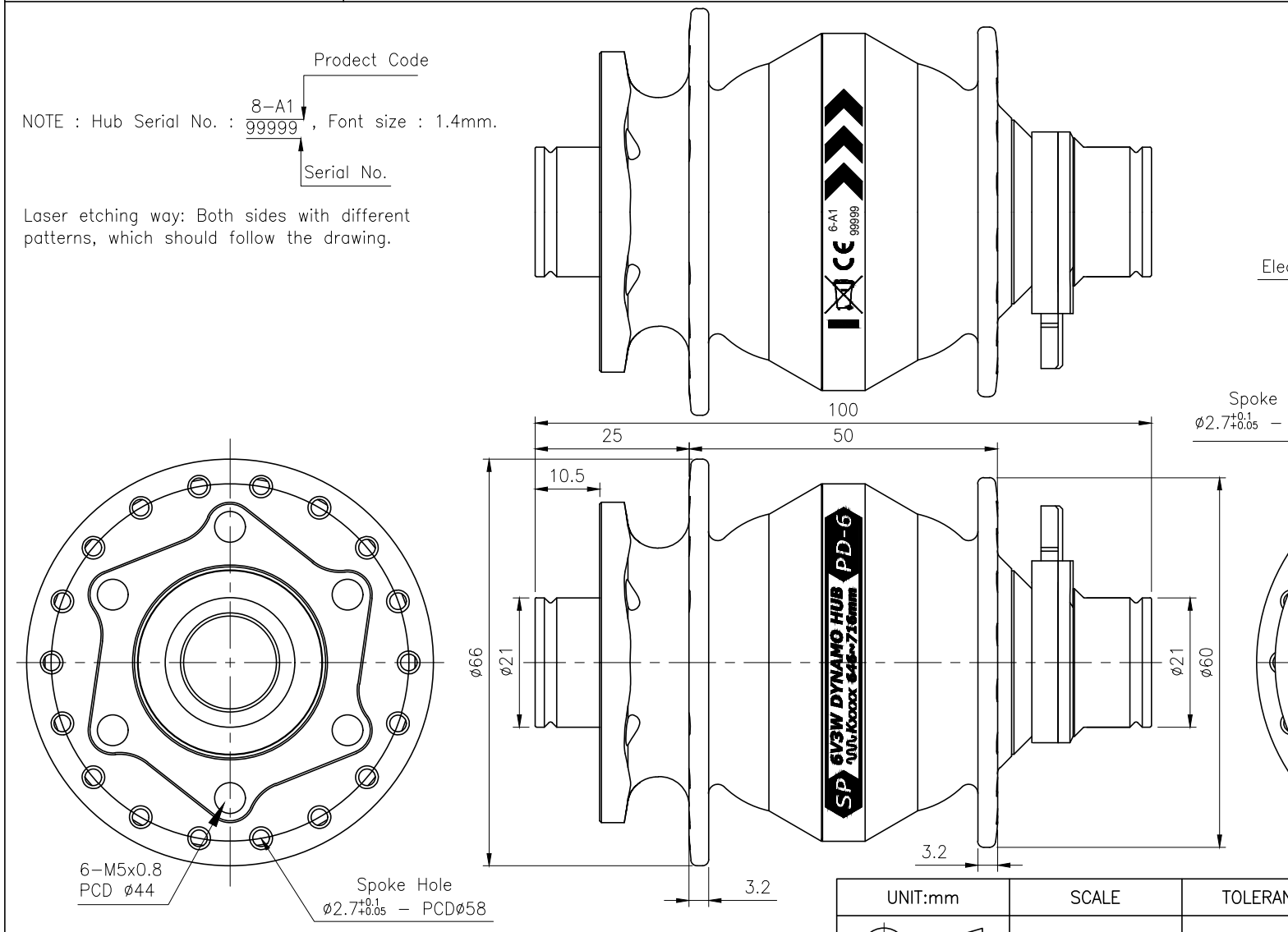
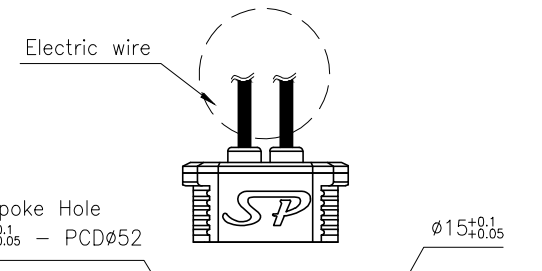


Product Specification	PD-6	Item	Specification
-----------------------	------	------	---------------



Axle Fixing Bolt	QR
Spoke Hole	32/36
Seal	Bearing *2
Output Voltage	6V3W
Wheel Diameter	646 ~ 716 mm
Weight	369g
Dynamo	MD007



△	Version Date	ECR No.	Description	UNIT:mm	SCALE	TOLERANCE	Hub dynamo	
					1:1	± 0.5	SP Model	6 Series
				MAKE	CHECK	CONFORM	MODEL	
							PD-6-00	