



# EZ6250i/EZ6350i THERMAL LABEL PRINTER USER MANUAL



User Manual: EZ6000i Series  
Version : Rev. C.5  
Issue Date : 2022/08/31  
P/N : 920-017211-00

# CONTENTS

1 Barcode Printer.....	5
1.1 Box Content.....	5
1.2 Getting to Know Your Printer.....	6
2 Printer Setup.....	8
2.1 Loading the label roll.....	8
2.2 Loading the Ribbon.....	10
2.3 Connecting the Printer to the Host Computer.....	11
2.4 Installing Printer Driver and GoLabel with Super Wizard CD.....	12
3 Printer Setting and Control.....	17
3.1 Operation Panel.....	17
3.2 LCD Interface Introduction.....	18
3.3 LAN Setting.....	23
3.4 LCD Password.....	25
3.5 LCD Interface Function.....	27
3.6 Label Calibration and Self Test.....	31
3.7 Dump mode.....	33
3.8 Error Alerts.....	34
3.9 USB Host.....	36
4 NetSetting for Ethernet.....	38
4.1 Installing the NetSetting software.....	38
4.2 The Interface of NetSetting.....	39
5 Accessories.....	46
5.1 Internal rewinder.....	46
5.2 Installing the rewinder guide.....	48
5.3 Label dispenser.....	49
5.4 Installing the cutter.....	51
5.5 Cleaning Method.....	53
5.6 Installing the Parallel adapter.....	54
6 Maintenance and Adjustment.....	56
6.1 Installing / removing the print head module.....	56
6.2 Adjusting the print line.....	57
6.3 Adjusting the ribbon tension.....	58
6.4 Cleaning the thermal print head.....	59
6.5 Adjusting the balance and print head tension.....	60
6.6 Ribbon shield settings.....	61
6.7 Cutter settings.....	62
6.8 Troubleshooting.....	63
APPENDIX.....	64
PRODUCT SPECIFICATIONS.....	64
INTERFACE.....	65
FILE MANIPULATION WHEN USING USB STICK.....	67

## **FCC COMPLIANCE STATEMENT FOR AMERICAN USERS**

This equipment has been tested and found to comply with the limits for a CLASS B digital device, pursuant to Part 15 Subpart B of the FCC Rules. These limits are designed to provide reasonable protection against harmful interference when the equipment is operated in a commercial environment. This equipment generates, uses, and can radiate radio frequency energy and, if not installed and used in accordance with the instructions, may cause harmful interference to radio communications.

Operation of this equipment in a residential area is likely to cause harmful interference in which case the user will be required to correct the interference at own expense.

## **EMS AND EMI COMPLIANCE STATEMENT FOR EUROPEAN USERS**

This equipment has been tested and passed with the requirements relating to electromagnetic compatibility based on the standards EN 55032:2015/AC:2016 Class B, EN 61000-3-2:2014, EN61000-3-3:2013, AS/NZS CISPR 32:2015 Class B, EN 55024:2010/A1:2015, IEC 61000-4-2:2008 series The equipment also tested and passed in accordance with the European Standard EN55032 for theboth Radiated and Conducted emissions limits.

## **EZ6250i SERIES TO WHICH THIS DECLARATION RELATES IS IN CONFORMITY WITH THE FOLLOWING STANDARDS**

IEC 62368-1:2014, IEC 60950-1:2005(2nd Edition)+Am 1:2009,  
GB17625. 1-2012; GB4943. 1-2011; GB/T9254-2008(Class A)

EN 55032:2015/AC:2016 Class B, EN 61000-3-2:2014, EN61000-3-3:2013, AS/NZS CISPR 32:2015 Class B  
EN 55024:2010/A1:2015

(IEC 61000-4-2 Edition 2.0 2008-12, IEC 61000-4-3 Edition 3.2 2010-04,

IEC 61000-4-4 Edition 3.0 2012-04, IEC 61000-4-5 Edition 3.0 2014-05,

IEC 61000-4-6 Edition 4.0 2013-10, IEC 61000-4-8 Edition 2.0 2009-09,

IEC 61000-4-11 Edition 2.0 2004-03) and AS/NZS CISPR 32:2015 Class B.

# SAFETY INSTRUCTIONS

Please read the following instructions carefully.

1. Keep the equipment away from humidity.
2. Before you connect the equipment to the power outlet, please check the voltage of the power source.
3. Make sure the printer is off before plugging the power connector into the power jack.
4. It is recommended that you connect the printer to a surge protector to prevent possible transient overvoltage damage.
5. Be careful not to get liquid on the equipment to avoid electrical shock.
6. For safety and warranty reasons, ONLY qualified service personnel should open the equipment.
7. Do not repair or adjust energized equipment under any circumstances.

## Caution

---

\* Danger of explosion if battery is incorrectly replaced. Replace only with the equivalent type recommended by the manufacturer.

\* Dispose of used batteries according to the manufacturer's instructions.

\* Only use with designated power supply adapter model.

\* Changes or modifications not expressly approved by the party responsible for compliance could void the user's authority to operate the equipment.

Specifications are subject to change without notice.

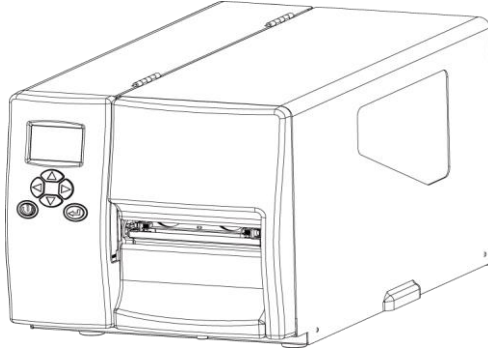
# 1 Barcode Printer

## 1.1 Box Content

Please check that all of the following items are included with your printer.

※Package content and Logo style may vary per region.

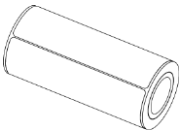
- EZ6250i/EZ6350i Barcode Printer



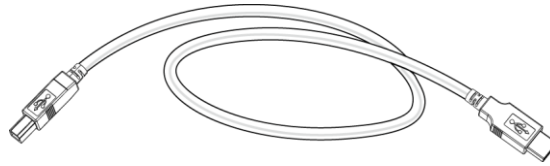
- EZ6250i Series Quick Guide



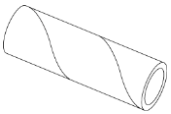
- Label Stock



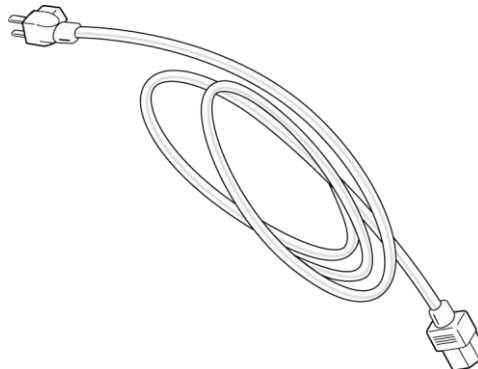
- USB Cable



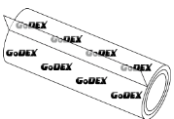
- Ribbon Module  
Empty Ribbon Core



- Power Adapter  
Power Cord



- Ribbon



## 1.2 Getting to Know Your Printer

### • External view



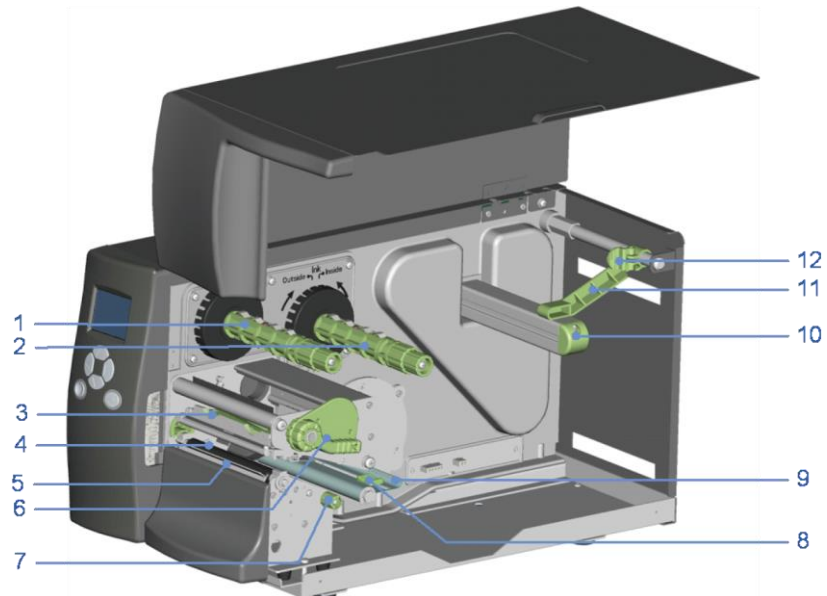
1	Operator panel
2	Lower cover plate
3	Viewing window
4	Printer cover

### • Rear view

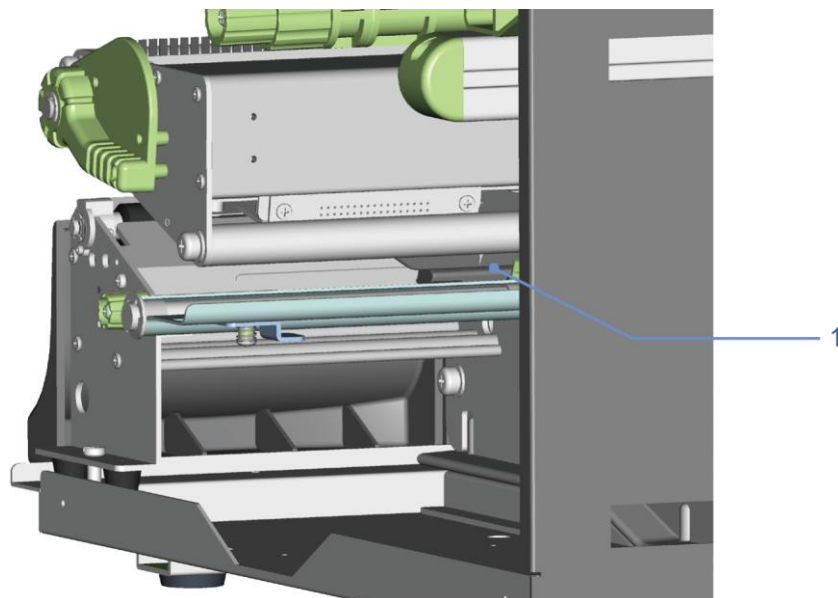


1	Feed slot for continuous labels
2	Auto-Calibration button
3	Parallel port (optional)
4	Applicator interface (optional)
5	USB Host
6	Ethernet port
7	USB port
8	Serial port (DB-9)
9	Power jack
10	On/Off switch
11	Feed slot for continuous labels

## Internal view



1	Ribbon rewind hub
2	Ribbon supply hub
3	Print mechanism
4	Platen roller
5	Tear-off plate
6	Release lever for print head
7	Adjustment wheel for sensor
8	Paper guide
9	Label tension guide
10	Label supply hub
11	Label roll guide
12	Release catch



1	Movable sensor
---	----------------

# 2 Printer Setup

## 2.1 Loading the label roll

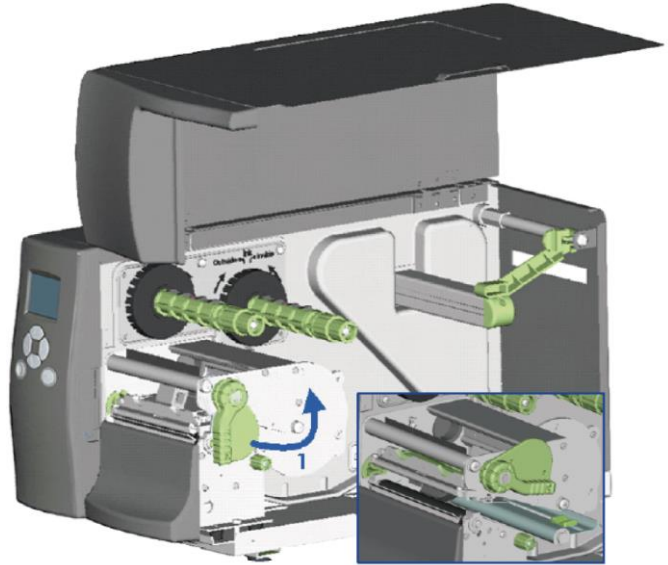
This printer supports the following printing methods:

Thermal transfer printing (TTP) : Requires a ribbon for transferring a printed image to a medium.

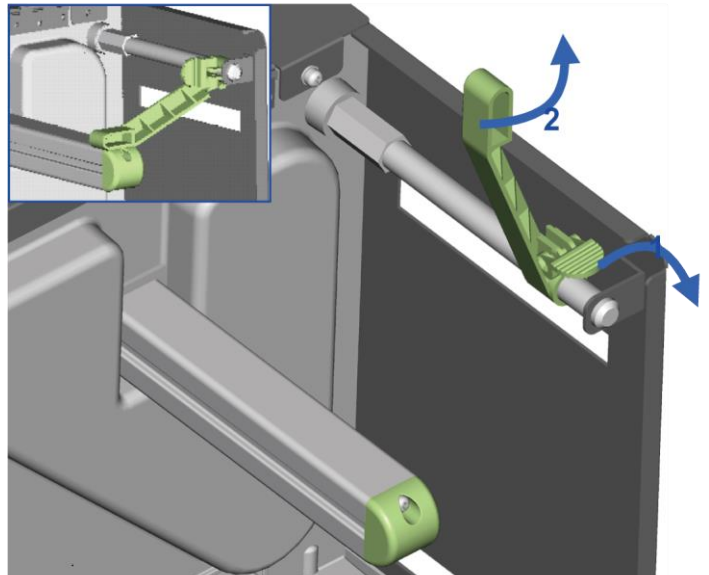
Direct thermal printing (DTP) : Does not require a ribbon, only thermal paper.

Please check which printing method you are using and alter the settings accordingly in the printer driver, printer menu, and/or software.

1. Place the printer on a flat surface and open the printer cover.
2. Turn the print head release lever anticlockwise to a top right position



3. Pull the release catch for the label roll guide to the right as shown by the blue arrow 1.
4. Now slide the label roll guide forward and fold it up as shown by the blue arrow 2.

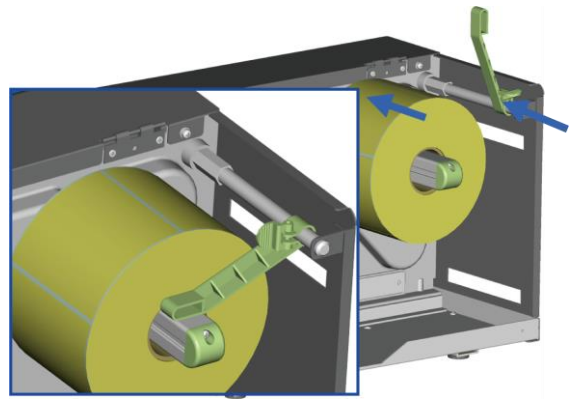




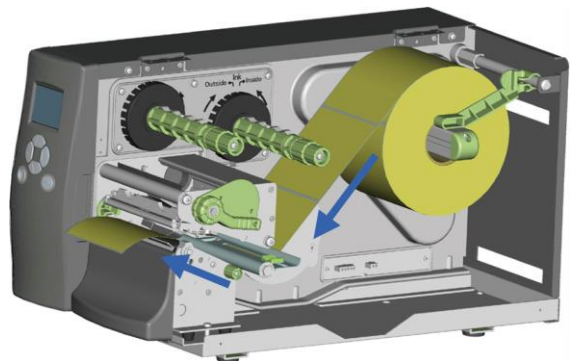
5. Place the label roll on the label supply hub, pushing it right up to the printer housing.  
(Do not apply too much pressure to avoid damaging the label stock.)
6. Fold the label roll guide back down and push it against the label roll.

***【Note】***

*When moving the label roll guide, hold it only by the end that is attached to the bracket, not by its top.*



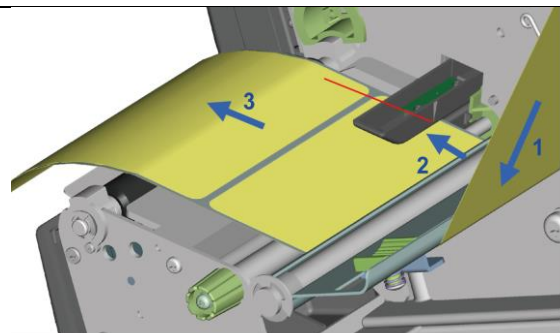
7. Load the label roll into the printer as shown in the illustration.  
Pass it through the printer as indicated by the blue arrows.



8. Pass the label stock through the sensor and up to the tear-off plate.

***【Note】***

*Remember to set the movable sensor to gap, black mark, or tag hole by changing the position of the sensor with the adjustment wheel.*

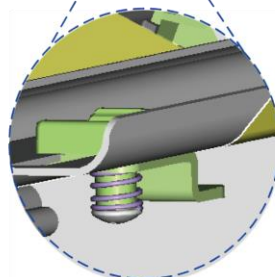
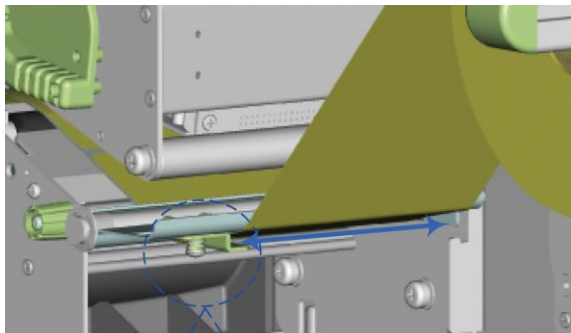


9. The labels pass between the wall of the printer housing and the adjustable paper guide.

***【Note】***

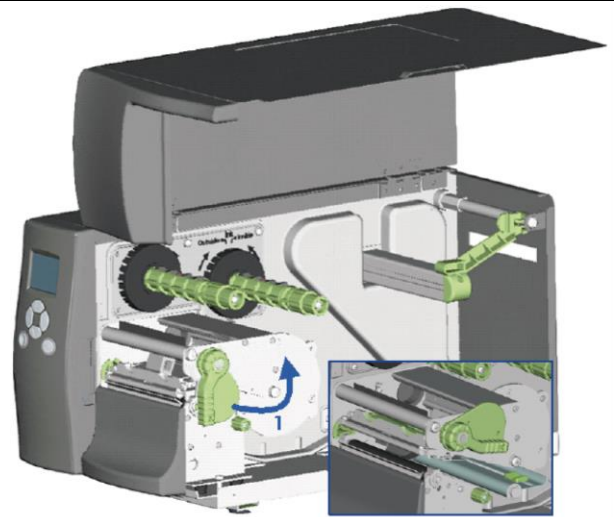
*Pass the labels through the printer as shown in the illustration.*

10. Return the print head release lever to its original position.
11. Then close the printer cover.

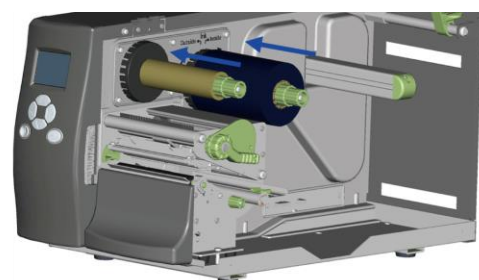


## 2.2 Loading the Ribbon

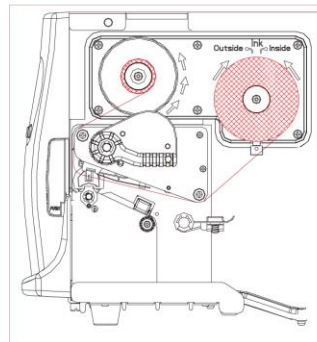
1. Place the printer on a flat surface and open the printer cover.
2. Turn the print head release lever anticlockwise to a top right position



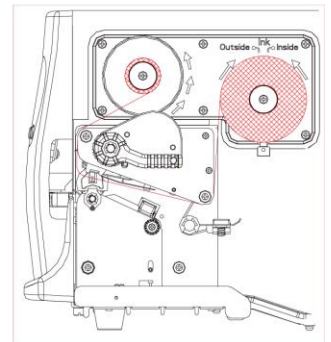
3. Place a new ribbon on the ribbon supply hub.  
Then place an empty ribbon core on the ribbon rewind hub.
4. The two illustrations on the right show you how to install the ribbon depending on the ribbon type (ink side in or out).



Ink side out



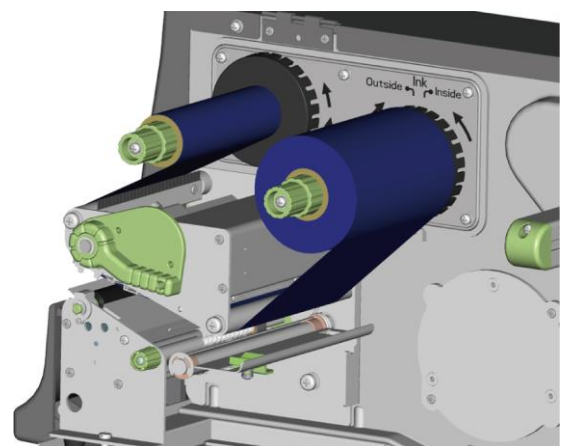
Ink side in



5. Pass the ribbon under the print head and back up on the other side. Attach it to the empty ribbon core.

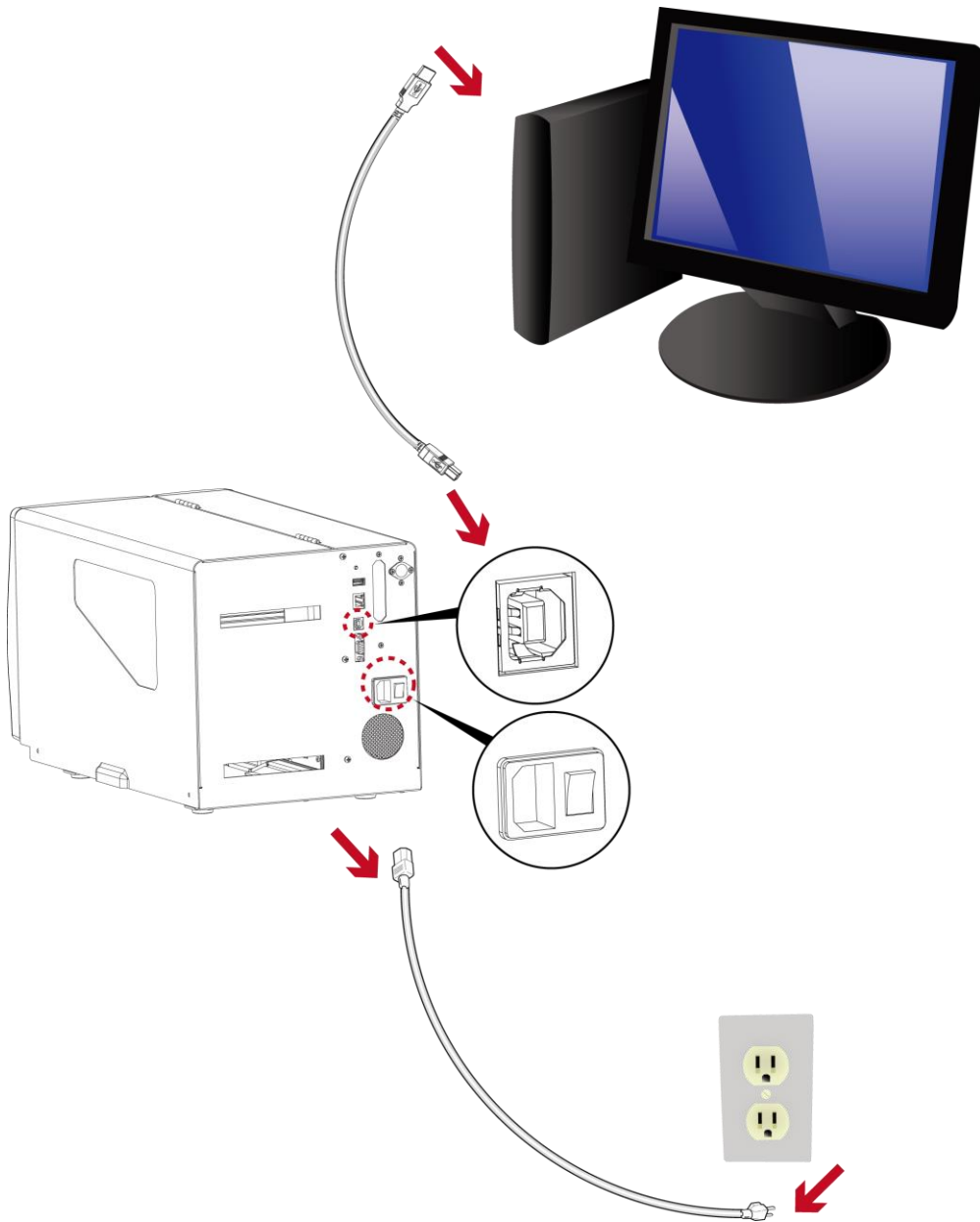
***【Note】***

*Do not pass the ribbon under the sensor.*



## 2.3 Connecting the Printer to the Host Computer

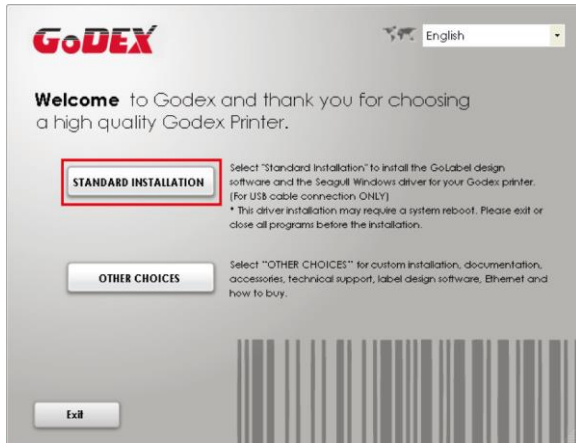
1. Please make sure that the printer is switched off.
2. Connect the power cord to the AC adapter and connect the adapter to the printer.
3. Connect the USB cable to the printer and host computer.
4. Switch on the printer. The operator panel should now light up.



## 2.4 Installing Printer Driver and GoLabel with Super Wizard CD

1. Insert the Super Wizard CD in the CD/DVD drive of the host computer and the program should pop up automatically.

You will see the Welcome screen first. On the Welcome screen, choose “Standard Installation”.



2. The wizard will then ask you to make sure your USB and power cables are connected and that the power is turned on.

Make sure that is done and then click “Next”.



3. The next screen you will see is, “Install the GoLabel Software and Windows driver”. Click “Next” to continue.



### Notice

\* If the Super Wizard program did not run automatically, you can either turn on the “Auto-run” setting for your CD/DVD driver or double-click the icon of CD/DVD driver to run the program.

4. As the printer driver and GoLabel are installing, a screen will display a progress bar.



5. Once the installation is complete, you can start to make and print labels with GoLabel or through the printer driver.



6. As the optional steps, you can also print a test label or register your printer during the "Standard Installation" procedure.

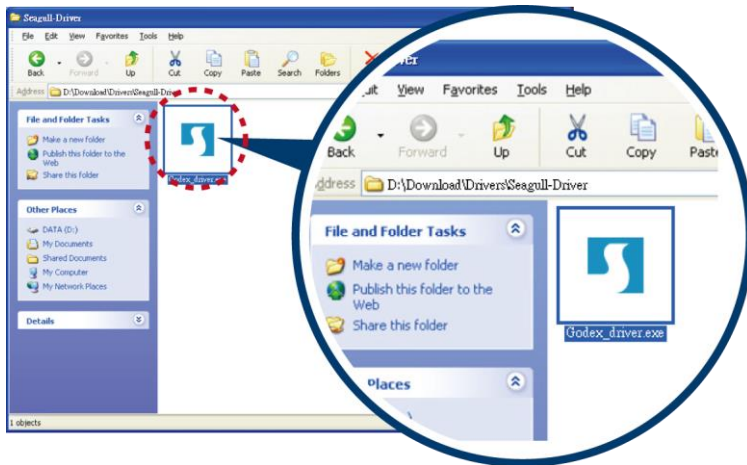


### Notice

\* If you need more resources, tools or reference documents, you can also find them on Super Wizard CD. Just click "Other Choices" on Welcome Screen to access the files.

## Installing Printer Driver Directly from CD Folder

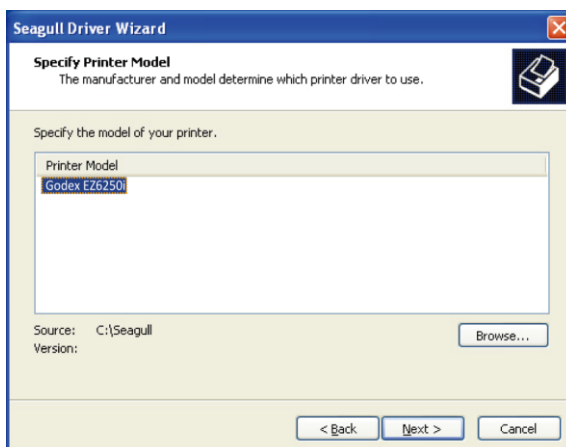
1. Insert the product CD in the CD/DVD drive of the host computer and open the "Seagull Drivers" folder on the CD. Select the icon for the driver file and click it to start the installation.



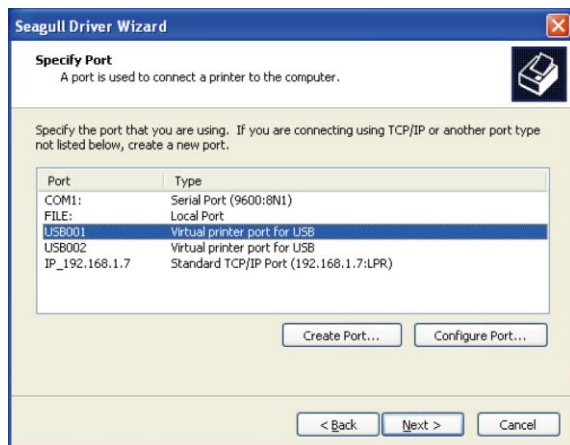
2. Follow the instructions on the screen. The Driver Wizard guides you through the installation procedure. Select "Install printer drivers".



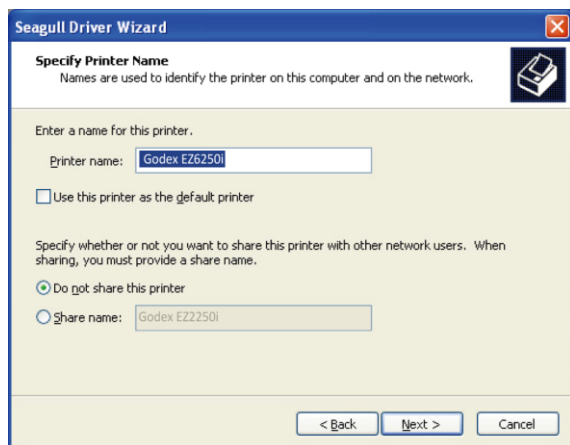
3. Specify your printer model.



4. Specify the port used to connect the printer to the host computer.



5. Enter a printer name and assign the appropriate rights.



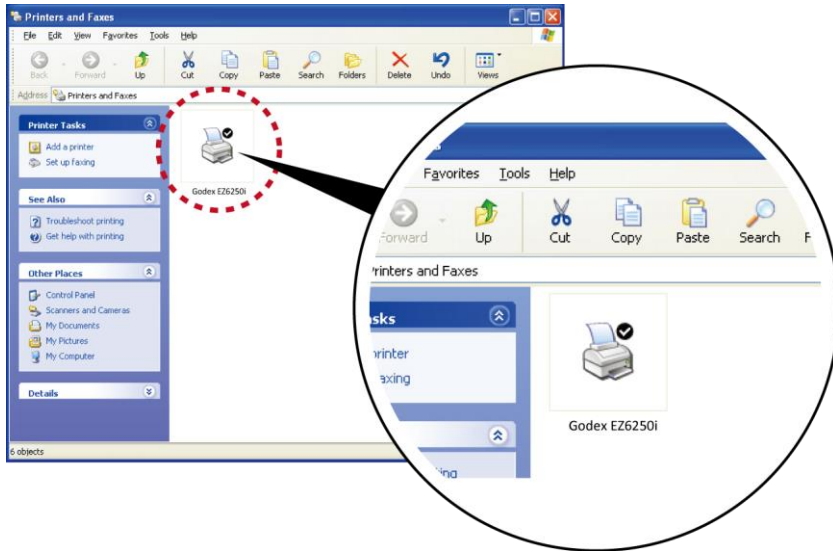
6. Once the installation is complete, a summary of the printer settings is displayed.

Check whether the printer settings are correct and click "Finish" to start copying the driver files.

Wait until copying is complete, then finish the installation.



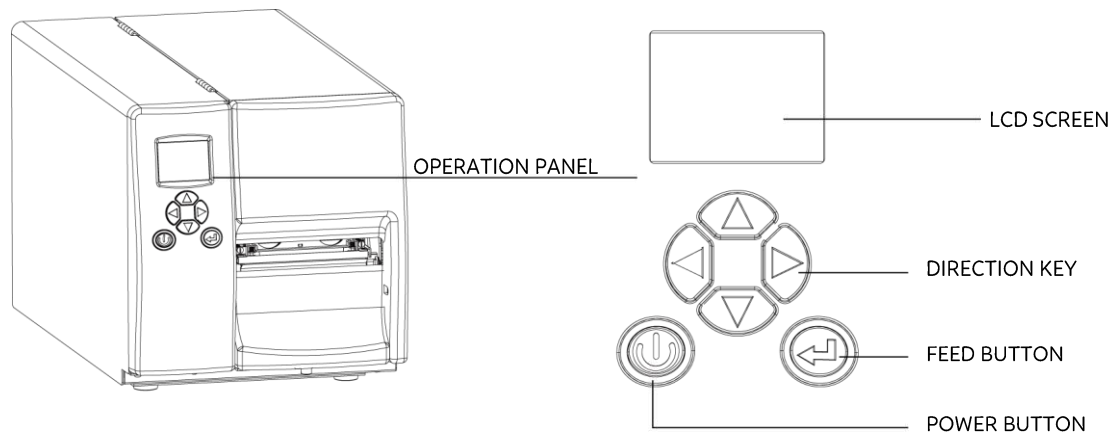
7. Once the driver installation is complete, the new printer should appear in the "Printers and Faxes" folder.





# 3 Printer Setting and Control

## 3.1 Operation Panel



### POWER Button

Press the POWER button to turn on the printer, and the START UP SCREEN appears. The printer is on “ready to print” status, the LCD screen should display the message “READY” on the screen.

When printer is turned on, keep pressing the POWER button for 3 second will turn the printer off.

### FEED Button

When you press the FEED button, the printer moves the label to the defined stop position.

If you are using continuous labels, pressing the FEED button will move label stock until you release the button again.

If you are using individual labels, pressing the FEED button will move only one label.

If the label does not stop at the correct position, you need to run the auto-detection function on the label stock, please see Section 3.6 Label Calibration and Self Test.

### PAUSE PRINTING\_FEED Button

Pressing the FEED button while the printer is in standby mode will set the printer to pause mode. In this mode, the printer can receive commands, but it can only process them when it is reset to standby mode. Pressing the FEED button again will reset the printer to standby mode.

Pressing the FEED button during printing will interrupt printing. When the PFEED button is pressed again, the printer resumes printing. Example: While a 10-label print job is running, you press the FEED button to pause the printer.

Two of the labels have been printed. To resume printing and print the remaining eight labels, you press the FEED button again.

### CANCEL PRINTING\_FEED Button

Pressing the FEED button over 3 seconds during printing cancels a print job. The current print job is cancelled.

Example: While a 10-label print job is running, you press the FEED button. Two of the labels have been printed.

The print job is cancelled and the remaining eight labels are not printed.

## 3.2 LCD Interface Introduction

### Getting Started

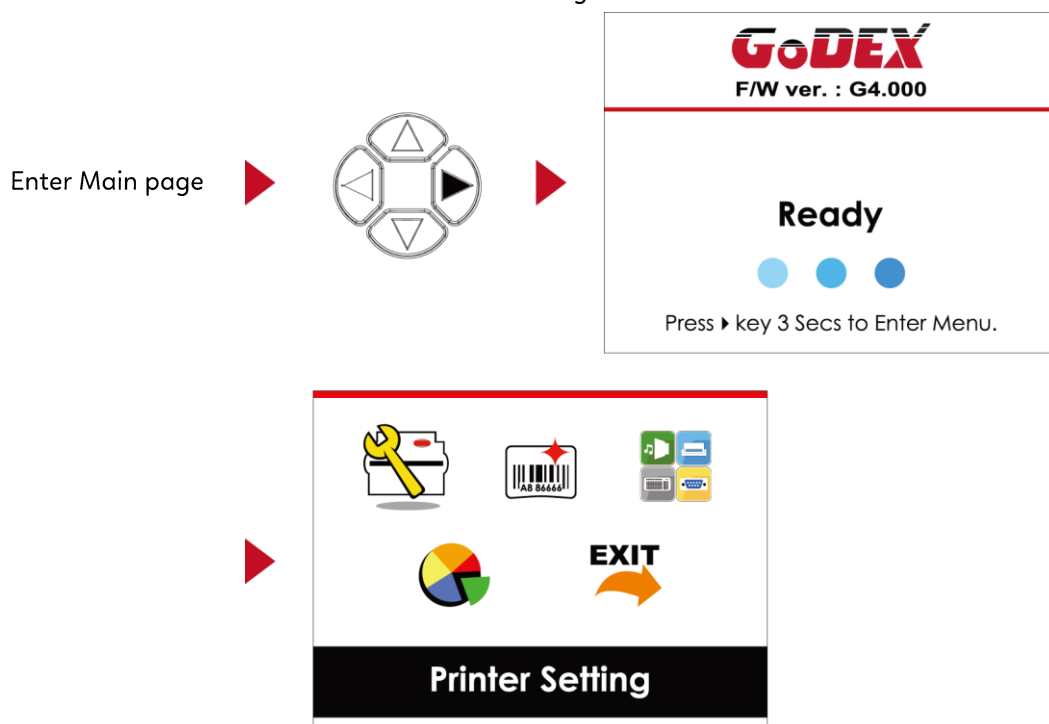
Press the POWER button to turn on the printer, and the START UP SCREEN appears.



If the printer is on “ready to print” status, the LCD screen should display the message “Ready” on the screen.



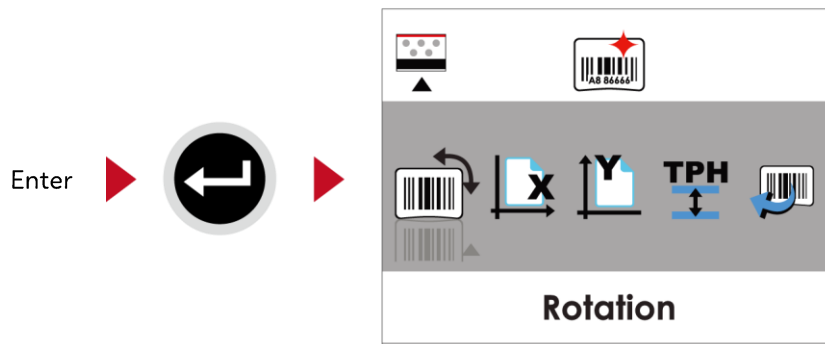
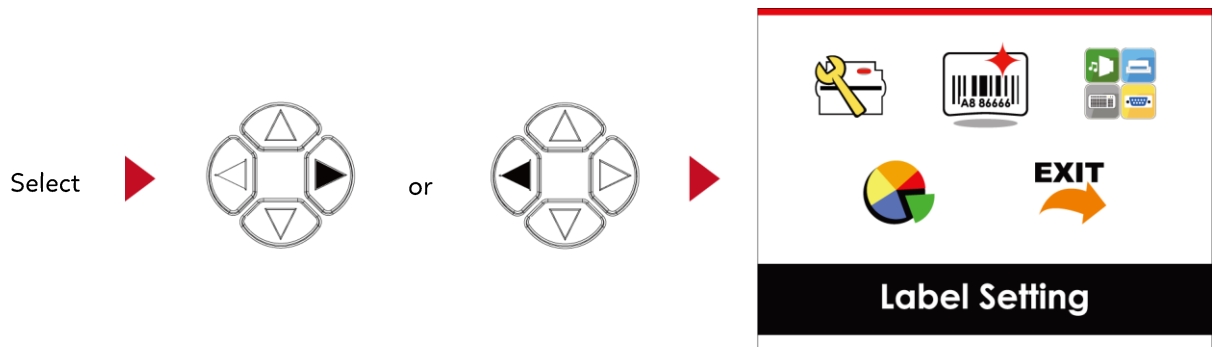
Please keep pressing ▶ button and wait for the timer to be filled, then the LCD interface will enter into the MAIN PAGE for SETTING MODE. You can make various setting functions in SETTING MODE.



## Operations on Setting Page

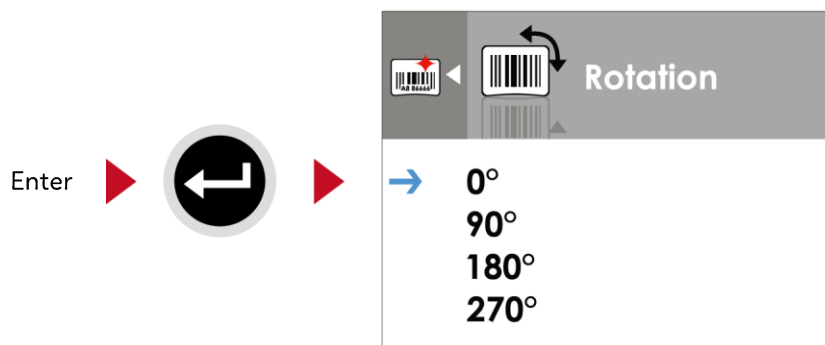
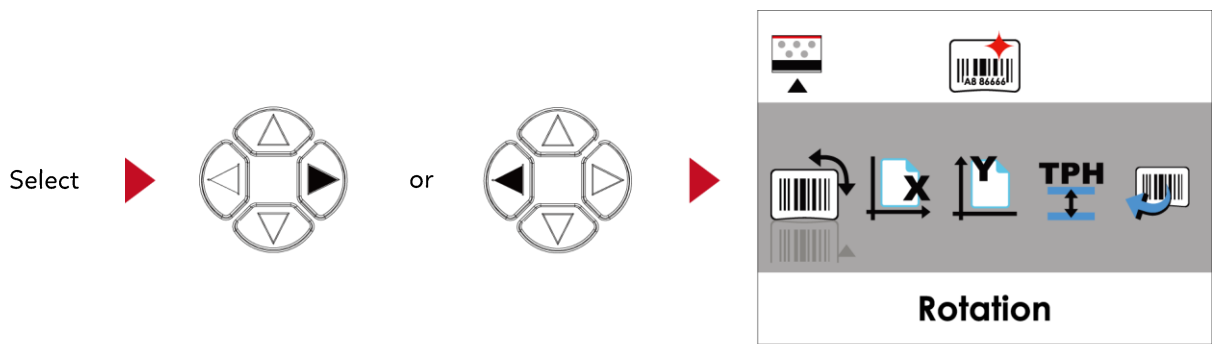
On MAIN PAGE, press ► or ◀ button to move the cursor and select the functions.

Select a designated function and press FEED button, you will enter the SETTING PAGES for the function.

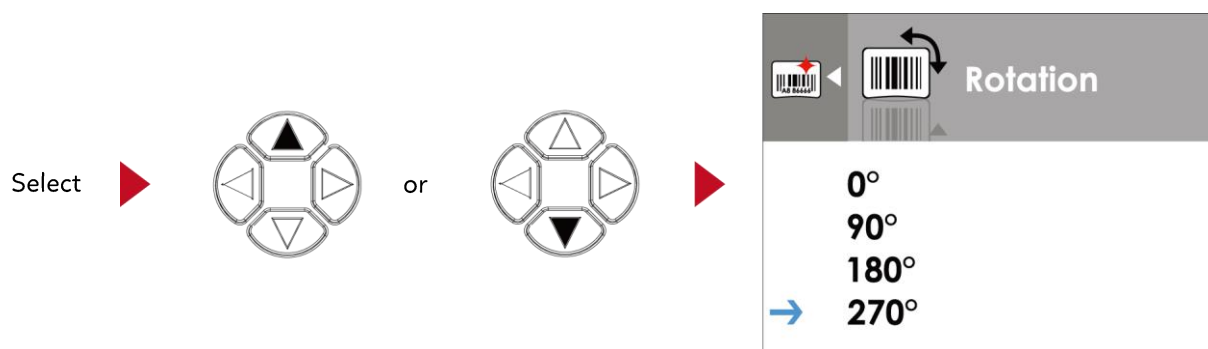


On SETTING PAGES, press ► or ◀ button to select the setting items.

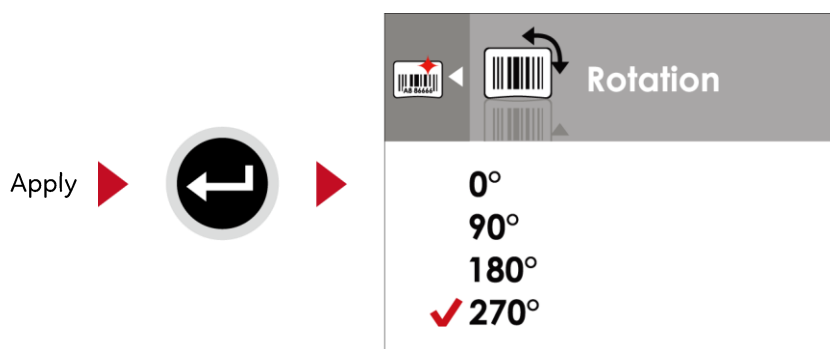
Select a designated function and press FEED button, you will enter the SETTING VALUE PAGES for the function.



On SETTING VALUE PAGES, press ▲ or ▼ button to change the setting values.



Press FEED button will apply the setting value you just selected, and the red tick will appear to mark the value.



**Notice**

\* The blue arrow indicates the value you are selected.

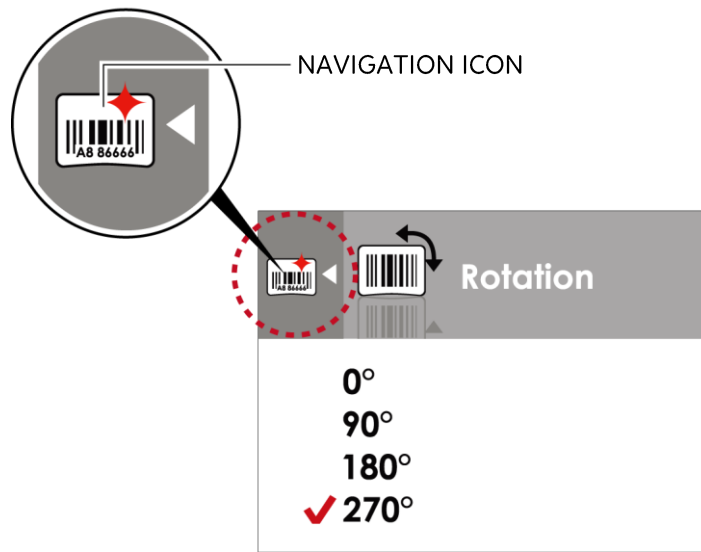


\* The red tick indicates that the selected value is applied now.



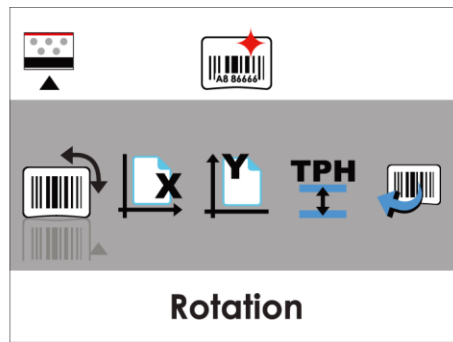
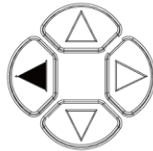
### Exit from Current Page to Ready Status

The icon on top-left corner displays the capture of upper level screen and also guides you back to upper level with left or up arrow.



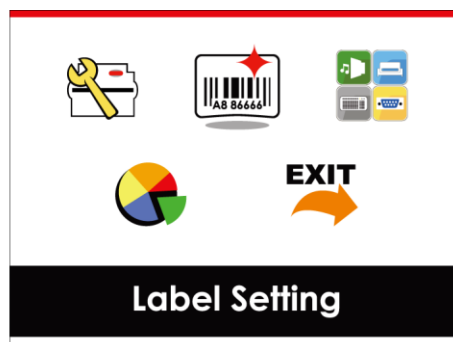
On SETTING VALUE PAGES, press ◀ button will go back to the upper level screen.

Back to the Setting page



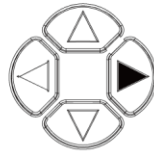
On SETTING PAGES, press ▲ button will go back to the MAIN PAGE screen.

Back to the Main page

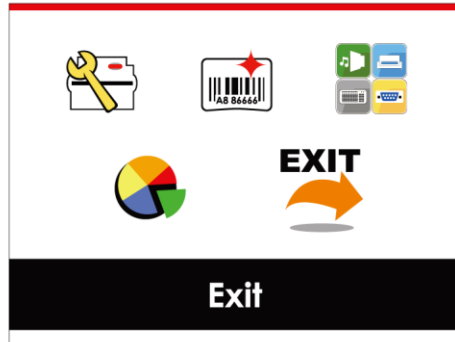
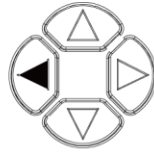


On MAIN PAGE, select the "EXIT" icon and press the FEED button to exit from SETTING MODE and the printer goes back to READY status.

EXIT from Setting Mode ▶



or



Back to the Ready status ▶

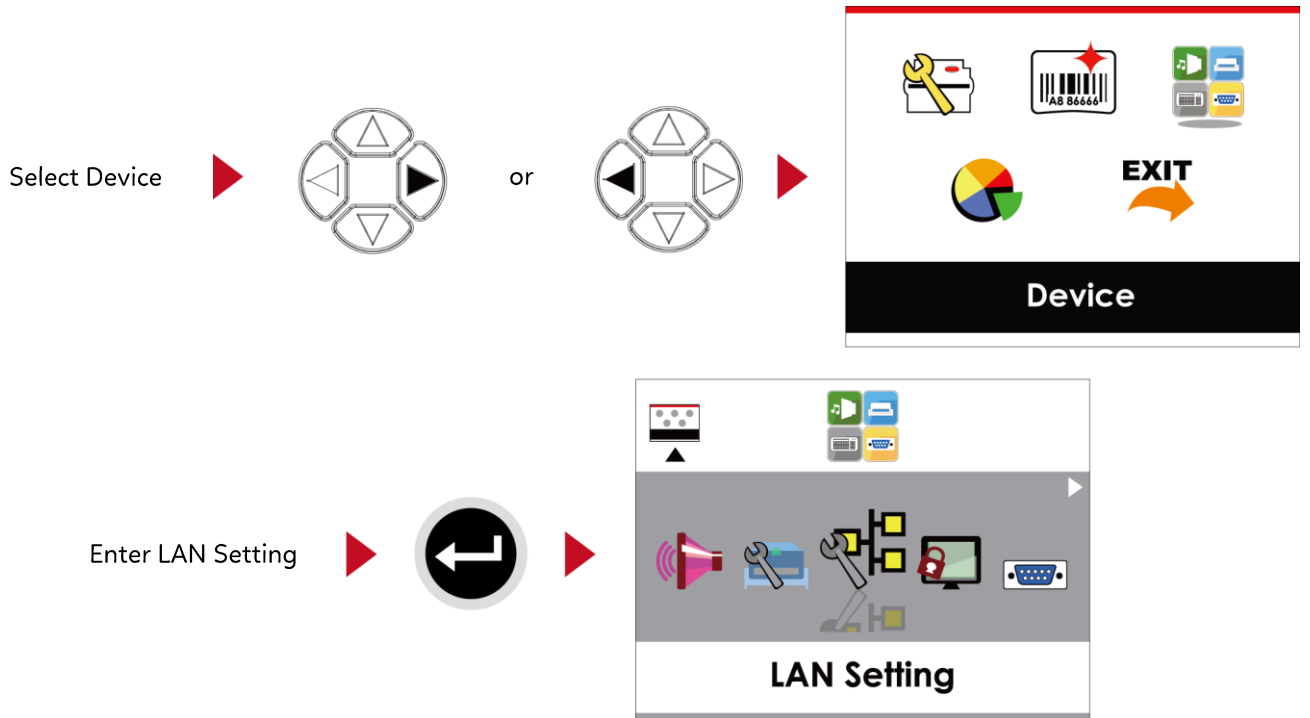


### 3.3 LAN Setting

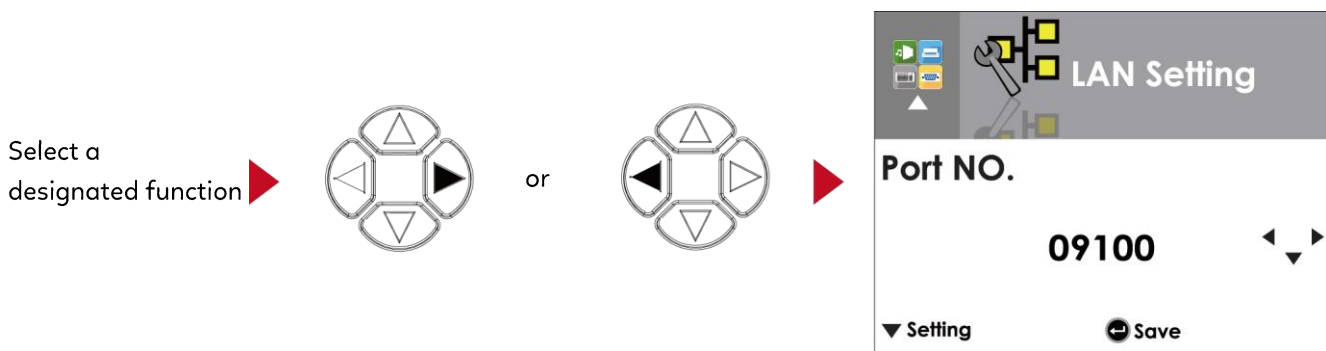
#### Operations on Setting Page

On MAIN PAGE · press ▶ or ◀ button to move the cursor and select the functions.

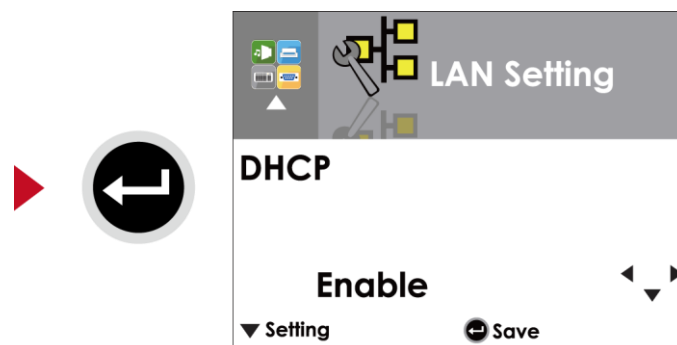
Select a designated function and press FEED button, you will enter the SETTING PAGES for the function.



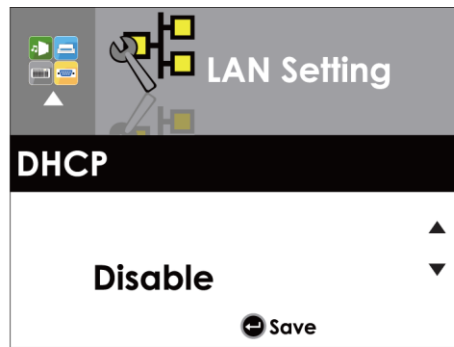
On LAN Setting PAGE · press ▶ or ◀ button to select the setting items.



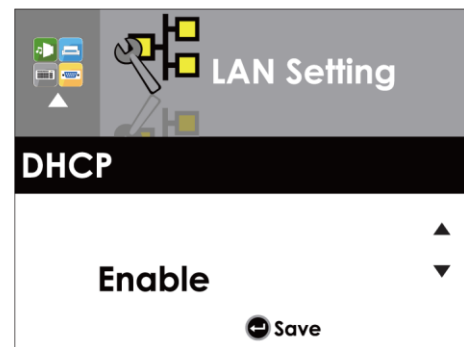
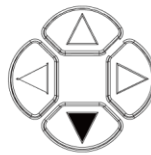
Select DHCP and press FEED button, you will be able to setup DHCP function



The default of DHCP is Disable. Press ▲ or ▼ button to change the setting values.

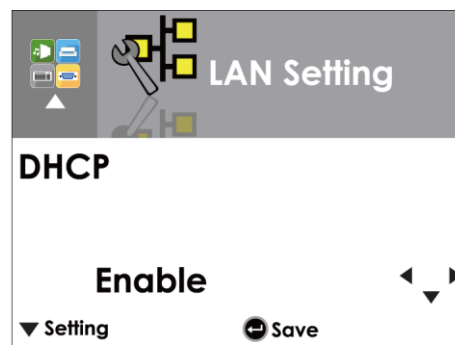


Select ▼ to enable DHCP

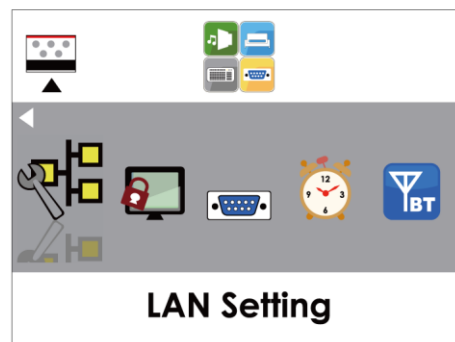


Press FEED button twice to save the setting.

Press FEED once to exit.



Press FEED again to save and return to previous SETTING PAGE.

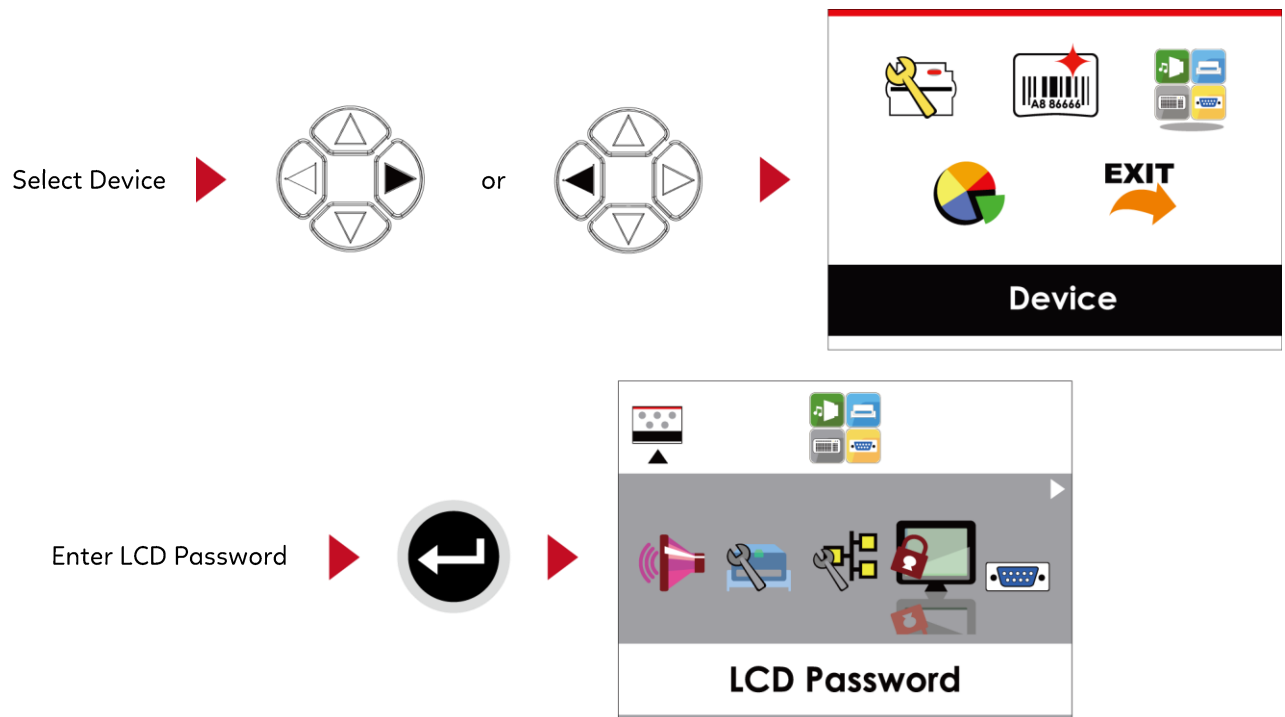




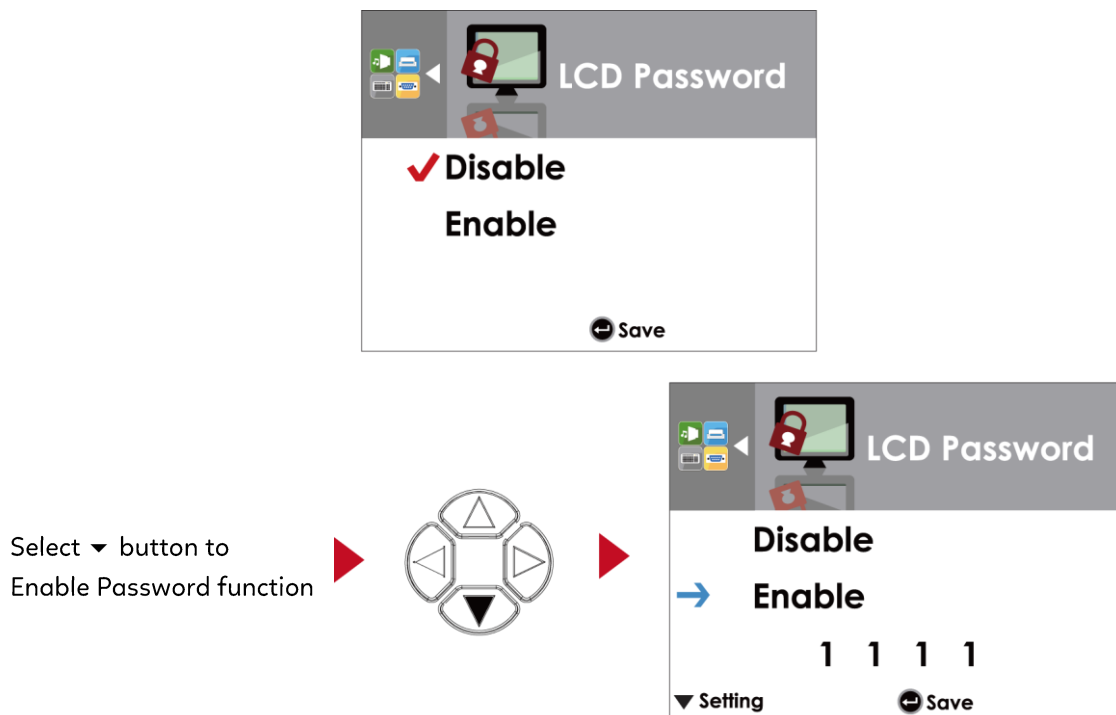
### 3.4 LCD Password

#### Operations on Setting Page

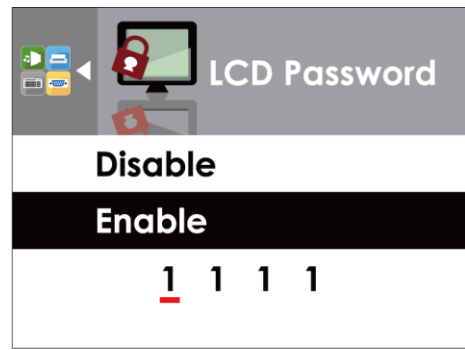
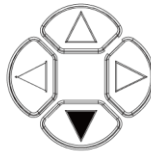
On MAIN PAGE, press ▶ or ◀ button to move the cursor and select the functions. Select a designated function and press FEED button, you will enter the SETTING PAGE for the function.



The default of LCD Setting is Disable. Press ▲ or ▼ button to change the setting values.

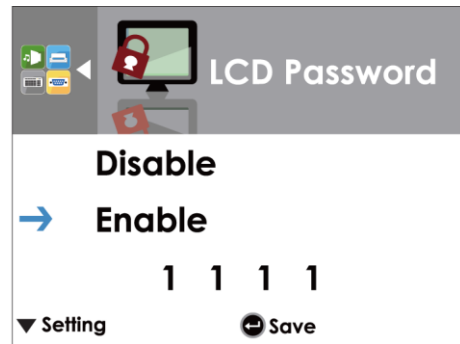


Select ▼ button again to setup the password

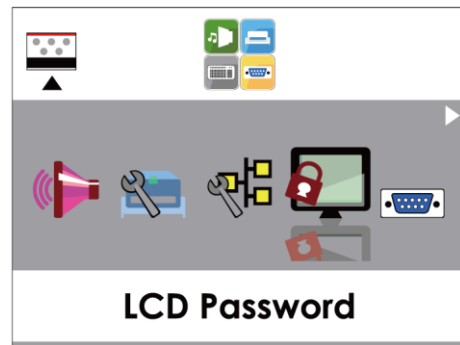


Press FEED button twice to save the setting

Press FEED button once to exit.

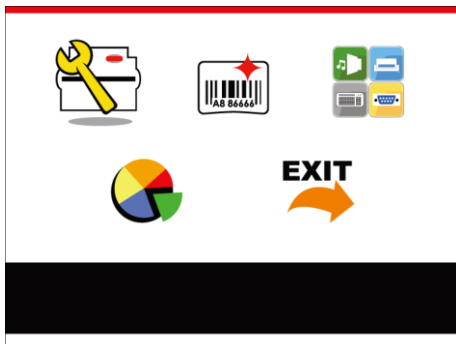


Press FEED button again to save and return to previous SETTING PAGE



## 3.5 LCD Interface Function

### Main Page



Printer Setting

---

Setting items for printer, ex. Printing speed, darkness.  
Also includes a Printing Wizard for your ease of printing.

---



Label Setting

---

Setting items for printing label, ex. Rotation, Printing position offset.

---



Device

---

Option modules and connection port settings.

---



Analysis

---

Self-Diagnose functions for printer, ex. TPH testing, self-test page printing.

---





Exit

---

Exit from Setting Mode.

---

## Setting Items in Setting Mode

 <p>Printer Setting</p>	LCD Language	English	
		Deutsch	
		繁體中文	
		简体中文	
		Français	
		Español	
		日本語	
		Italiano	
		Русский	
	Türk		
	Wizard	Speed	2-5 or 7
		Darkness	0-19
		Media Type	Label with Gaps
			Label with Marks
			Continuous
		Printer Mode	Direct Thermal
			Thermat Transfer
		Tear-off Position	0-40
Darkness		0-19	
Speed	2-5 or 7		
Setting	Sensor	Media Detection	
		Auto Select	
		See-Through	
		Reflective	
	Media Type	Label with Gaps	
		Label with Marks	
		Continuous	
	Printing Mode	Direct Thermal	
		Thermat Transfer	
	Tear-off Position	0-40	
Top of Form	Apply		
	Cancel		
	850		
	852		
	437		
	860		
	863		
	865		
	857		
	861		
	862		
Codepage	855		
	866		
	737		
	851		
	869		
	Win 1252		
	Win 1250		
	Win 1251		
	Win 1253		
	Win 1254		
Win 1255			
Win 1257			
	0°		
 <p>Label Setting</p>	Rotation	90°	
		180°	
		270°	
	Horizontal Offset	-100 – 100	
	Vertical Offset	-100 – 100	
	Start Offset	-100 – 100	
	Recall Label	001 Form Name	
002 Form Name			



Device

Buzzer		Apply
		Cancel
		None
Optional Setting	Option	Cutter
		Label Dispensor
		Applicator
LAN Setting	Pre-Printing	Apply
		Cancel
	Part NO.	09100
	DHCP	Disable
		Enable
LCD Password	Default Gateway	192.168.000.254
	Dynamic IP	192.168.102.076
	Subnet Mask	255.255.255.000
		Disable
Serial Port Setting		Enable
	Baud Rate	4800 bps
		9600 bps
		19200 bps
		38400 bps
		57600 bps
		115200 bps
	Parity	Non
		Odd
		Even
Data bits	7 bits	
	8 bits	
Stop bits	1 bits	
	2 bits	
RTC Setting	Clock Display	Apply
		Cancel
	RTC Setting	YYYY/MM/DD
	HH:MM:SS	



Analysis

Calibration		Apply
		Cancel
Self-test		Apply
		Cancel
TPH Testing		Apply
		Cancel
Reset to Default		Apply
		Cancel
Clear Memory	Apply	Apply
		Cancel
	Graphic	Apply
		Cancel
	Bitmap Fonts	Apply
		Cancel
	True Type Fonts	Apply
	Cancel	
Asian Fonts	Apply	Apply
		Cancel
	ALL	Apply
	Cancel	



Exit

Exit

## Status of LCD Interface

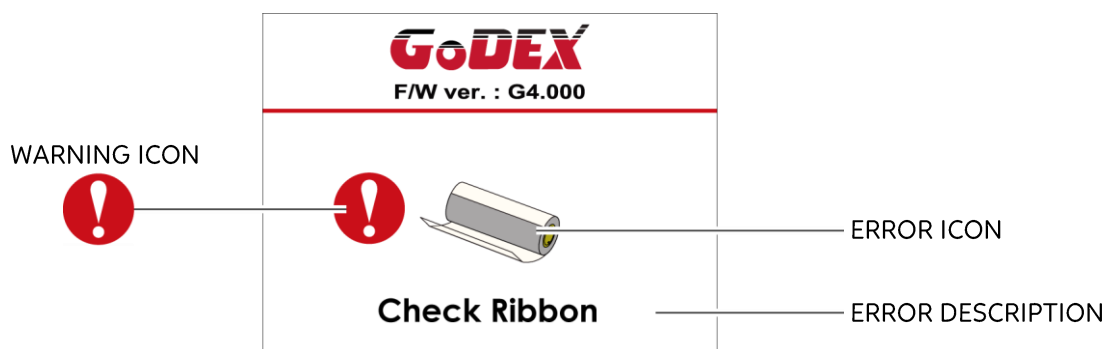
When printer is on standby status (ready to print), the LCD interface will display “Ready” on screen.

You can only print on this “Ready” status.








If there is any printers error, the LCD screen will display the error screen to show the type of error.

You can fix the error according the notice.



## Icon Definition

	To upper level	Appears on the NAVIGATION ICON of Setting Pages. It guides you back to upper level by pressing “LEFT” key.
	To upper level	Appears on the NAVIGATION ICON of Setting Value Pages. It guides you back to upper level by pressing “UP” key.
	Lock	On Setting Value pages, press “RIGTH” key to lock the value for preventing unexpected change.
	Unlock	For locked value, press “RIGHT” key again to unlock the value.
	Scroll the value	On Setting Value pages, press “UP” or “DOWN” key to scroll the values for your selection.

## 3.6 Label Calibration and Self Test

### Label Calibration

The printer can automatically detect and store label height.

That means the host computer does not need to transmit the label height to the printer.

### Self Test

Self-test function lets you check whether the printer is functioning normally.

Here is how you run the label size calibration and self test.

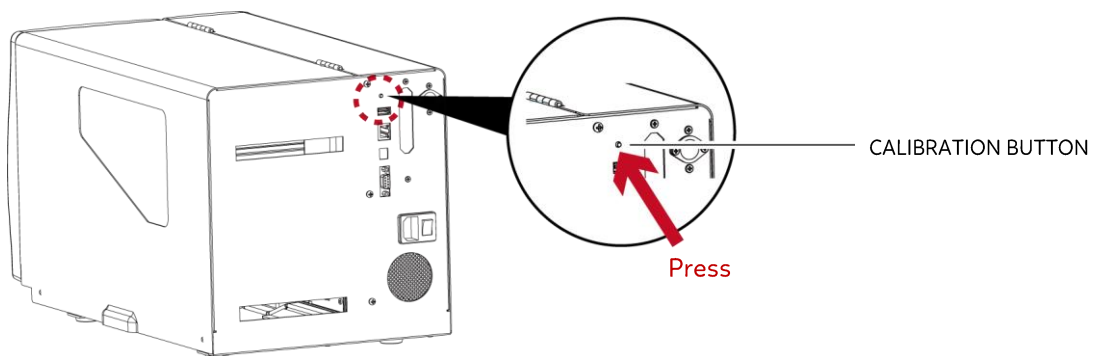
1. Check that the label stock is loaded correctly.
2. Turn off the printer.
3. Turn the printer on again, keeping the FEED button pressed. When the LED starts to flash red, release the FEED button. The printer will now measure the label stock and store the label height.
4. Once the printer has successfully measured the label stock, it will print a self-test label.

The contents of a self-test printout are listed below.

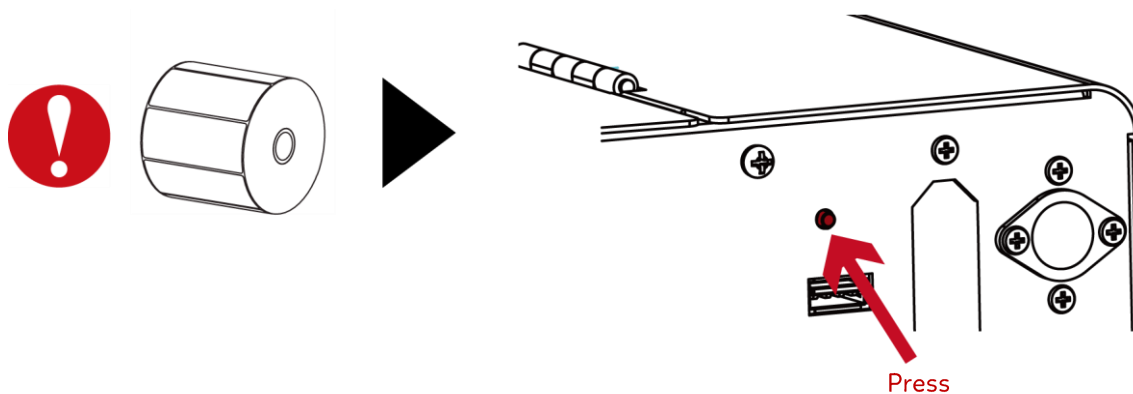
Model & Version	—	EZ6250i:GX.XXX
USB ID setting	—	USB S/N:12345678
Serial port setting	—	Serial port:96,N,8,1
MAC address of Ethernet port	—	MAC Addr:xx-xx-xx-xx-xx-xx
IP protocol setting	—	DHCP Enable
IP address of Ethernet port	—	IP xxx.xxx.xxx.xxx
Gateway setting	—	Gateway xxx.xxx.xxx.xxx
Netmask setting	—	Sub-Mask xxx.xxx.xxx.xxx
		#####
Number of DRAM installed	—	1 DRAM installed
Image buffer size	—	Image buffer size:1500 KB
Number of forms	—	0000 FORM(S) IN MEMORY
Number of graphics	—	0000 GRAPHIC(S) IN MEMORY
Number of fonts	—	000 FONT(S) IN MEMORY
Number of Asian fonts	—	000 ASIAN FONT(S) IN MEMORY
Number of Databases	—	000 DATABASE(S) IN MEMORY
Number of Scalable fonts	—	000 TTF(S) IN MEMORY
Free memory size	—	4073 KB FREE MEMORY
Speed, Density, Ref. Point, Print direction	—	^S4 ^H8 ^R000 ~R200
Label width, Form length, Stop position	—	^W102 ^Q100,3 ^E18
Cutter, Label Dispenser, Mode	—	Option:^D0 ^O0 ^AD
Sensor Setting	—	Reflective AD:1.96 2.84 2.49[0.88_23]
Code Page	—	Code Page:850

## Label Calibration Button

A hardware button to make a Label Calibration while printer encountering "Media Error" during the cases when first-time printer start up or change label or ribbon to another type, such as change using gap label to continuous or black mark labels.



Press C-button for 2 seconds, it will make an auto-sensing to calibrate the label and ribbon's parameters.



### Notice

\* Press C-button is equivalent to the auto-sensing command "~S,SENSOR" that will cancel on-printing-job and make the Label Calibration immediately.



### 3.7 Dump mode

If the label settings do not match the printer output, you can switch the printer to dump mode to check whether an error has occurred during the transfer between printer and host computer. In dump mode, the unprocessed raw data are sent to the printer and printed. This shows you quickly whether any data are sent to the printer at all.

Here is how you switch to dump mode:

1. Switch off the printer.
2. Switch on the printer and keep the FEED button pressed.
3. You will hear 3 beeps first and then one beep later. Release the FEED button after the last beep.

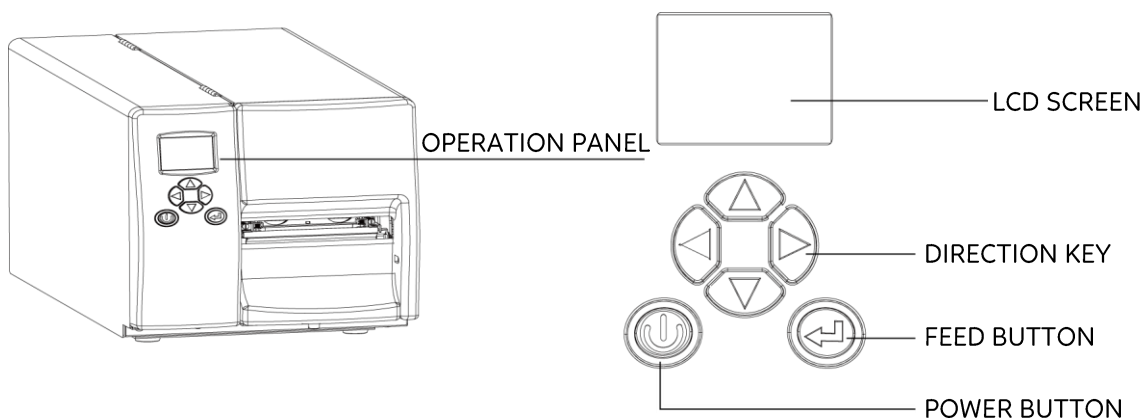
The printer will automatically print "Dump Mode Begin". That means the printer is now in dump mode.

4. Send commands to the printer and check whether they match the printer output.






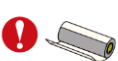


To exit dump mode, press the FEED button. The printer will automatically print "Out Of Dump Mode" and switch to standby mode. Alternatively, you can switch off the printer to exit dump mode.

### 3.8 Error Alerts







In the event of a problem that prevents normal functioning of the printer, you will see an error message on LCD screen and hear some beep signals. Please refer to below table for the error alerts.



#### Operation Panel

Status	Type	Beeps	Description	Solution
  <b>TPH opened</b>	Print Head Error	2 x 4 beeps	The printing mechanism is not correctly closed.	Open the print mechanism and close it again.
  <b>TPH overheat</b>	Print Head Error	None	High temperature at the print head.	Once the print head has cooled down, the printer switches to standby mode.
  <b>Check Ribbon</b>	Media Error	2 x 3 beeps	No ribbon is installed and the printer displays an error. The ribbon is finished or the label supply hub is not moving.	Make sure that the printer is set to direct thermal printing mode. Replace the ribbon roll.
  <b>Check Media</b>	Media Error	2 x 2 beeps	No paper is detected. Paper is finished. Printer feed problem.	Make sure that the label sensor is positioned correctly. If the sensor still does not detect the paper, run the auto-detection function again. Replace the label roll. Possible reasons: the print medium has become trapped around the rubber roll; the sensor cannot detect a gap or black mark between the labels; there is no paper. Please reset the sensor.

## Operation Panel

Status	Type	Beeper	Description	Solution
  <b>Memory full</b>			The memory is full. The printer prints the message "File System full"	Delete unnecessary data or install additional memory.
  <b>File name can't be found</b>	File Error	2 x 2 beeps	Unable to find file. The printer prints the message "File Name not found"	Use the "~X4" command to print all files. Then check whether the files exist and whether the names are correct.
  <b>File name duplicated</b>			A file of the same name already exists. The printer prints the message "Duplicate Name".	Change the name of the file and try storing it again.

## 3.9 USB Host

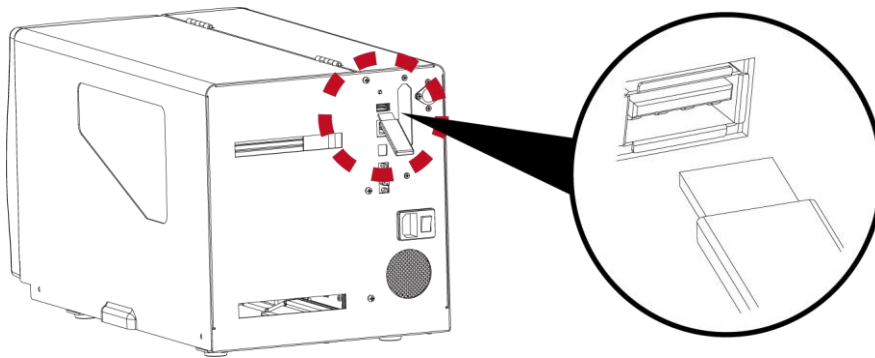
Definition : USB Host port supports either device : USB memory stick, keyboard or scanner.

### Purpose

- USB memory stick : It extends the user memory space up to 32GB for Graphic, Font, Label Format, DBF and Command files downloading. The printer's Firmware also can be updating if copy new version of Firmware into USB memory stick.
- Connecting an USB keyboard to printer for " Standalone" mode operation.
- Plug-in an USB scanner to operate the printer in "Standalone" mode.

### Usage of Extended Memory

- USB memory stick : It supports hot-plugging function; printer will create a Folder "\LABELDIR" and switch "User Flash" to " Extended Memory" automatically while user plugs an USB memory stick into a GoDEX "i" model printer.
- Connect the USB Stick plugged -in printer to PC via USB Device or Ethernet port and run "GoLabel" software to download Graphic, Font, Label Format, DBF and Command files to the printer.
- Detail download procedures, please refer to "GoLabel On-line Help".



### Usage of Firmware Update

- Remove USB memory stick from printer and plug-in it to a PC's USB port; delete Firmware "\*.bin" file from "\LABELDIR\FW" of USB memory stick if it existing; or create a Folder "\LABELDIR\FW" to USB memory stick if it doesn't existing.
- Copy a new version of Firmware "xxxx.bin" to the Folder "\LABELDIR\FW"; and then remove USB and plug-in back to the printer that going to update Firmware.
- The printer will update the Firmware automatically when plug-it-into the printer and printer find-out the Firmware in "\LABELDIR\FW" is newer version.
- Don't remove the USB memory stick out while it's under updating with "Flash Writing..." message that displays on LCD panel.

## USB Keyboard

- When plug-in a USB keyboard to the printer, LCD panel will display “Standalone Mode”, press the “Enter” key on keyboard and “Feed” key in the printer to entering to the dialog for “Recall Label” operation.
- Only the sub-dialog “Recall Label” is able operating by keyboard as follow definition:
  1. Press “ESC” key to exist from “Standalone Mode” or back to previous dialog
  2. Press “F1”, it will let the printer from “Ready” mode entering into “Standalone Mode”
  3. Press “Enter”, “Arrow” and “Alphabetic” keys as the usual in PC that will perform the key-in function of “Recall Label” in “Standalone Mode”.

## Scanner

- When plug-in a USB scanner to the printer, LCD panel will display “Standalone Mode”, press the “Feed” key in the printer to entering the dialog of “Recall Label” operation. User performs the “Recall Label” function interactively through the LCD panel, 4 direction keys, Feed key and Scanner.
- Scanner is using in “standalone Mode” to scanning the “Serial Number, Variable” and Print Quantity while the printer prompts a message on LCD panel and wait for data input.

## Notice

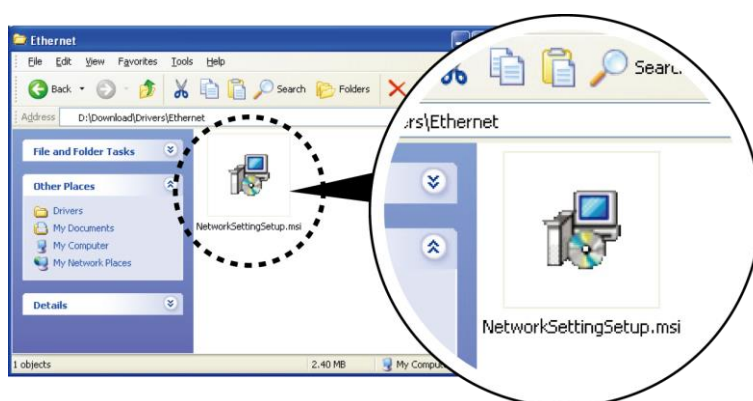
- 
- \* The USB Host port on “i” “x” model printer is without “HUB” function.
  - \* The USB Memory Stick supports with “FAT32” Disk Format and up to 32GB only. The certified venders are Transcend, Apacer, Patriot, Consair and Kingston.
  - \* The download function for Graphic, Font, Label Format, DBF and Command files is operated by GoLabel of PC and must go through the a “i” “x” model printer itself.
  - \* On a PC, user may copy entire folder “\LABELDIR” from USB memory stick to PC or vice-versa. Copy a sub-folder or individual file in “\LABELDIR” to PC or vice-versa is not supported.

# 4 NetSetting for Ethernet

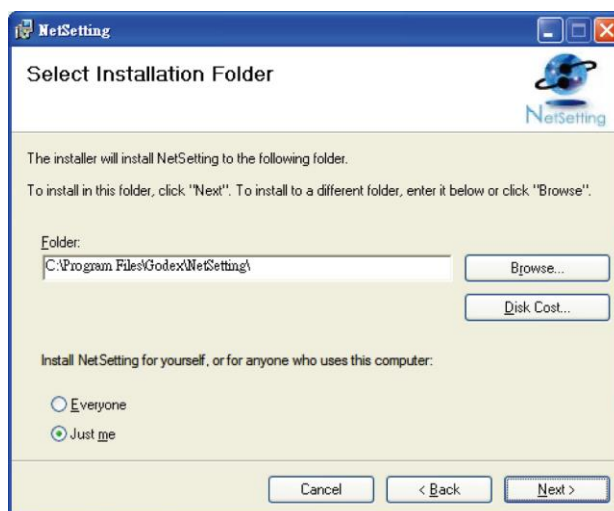
## 4.1 Installing the NetSetting software

The NetSetting software is used to manage the network configurations when connecting the printer via Ethernet port. It is available on product CD or can be downloaded from official website. To install the NetSetting, please follow below steps.

1. Insert the product CD in the CD/DVD drive of the host computer and open the "Ethernet" folder on the CD.
2. Select the icon for the NetSetting installation file and click it to start the installation.



3. Follow the instructions on the screen. The Setup Wizard guides you through the installation procedure.
4. Specify the "Installation Folder".

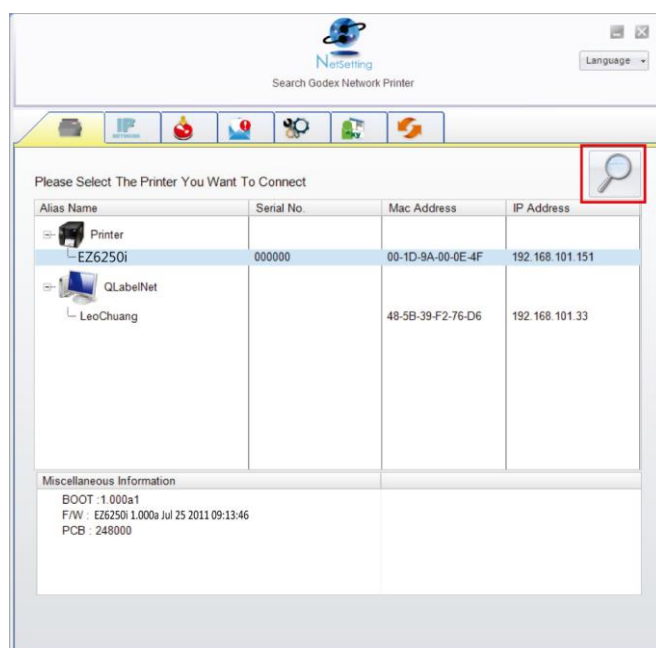


5. Click "Next" to start the installation.
6. Once the installation is completed; you will see the NetSetting icon on your desktop.

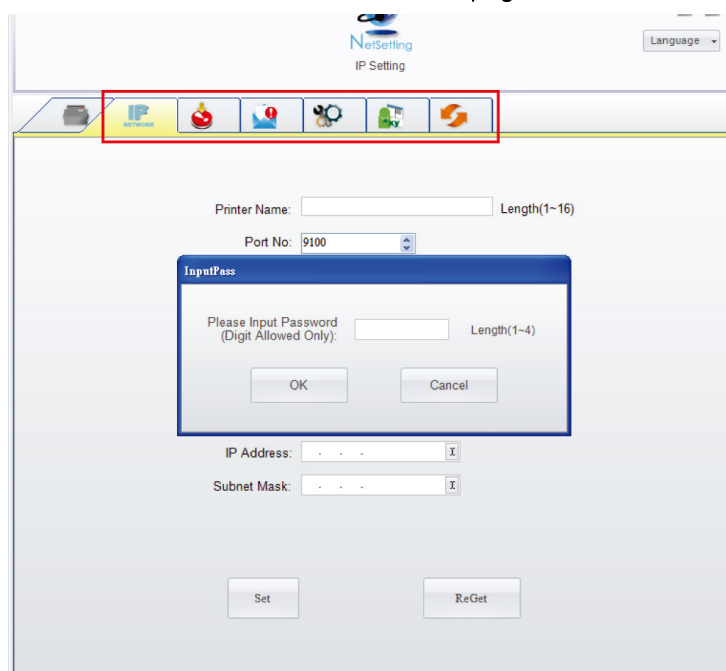


## 4.2 The Interface of NetSetting

Click the NetSetting icon to start the program; you will see the start page as below. The start page will display the basic information of connected printer and your PC.



Click the magnifier icon to search the Godex printers which are connected via Ethernet port in your network environment. Once a connected Godex printer is detected, it will be listed on the start page.



There are six tabs on the top of interface which can configure different types of network settings. But for the data security reason, you need correct password to enter the configuration pages.

### Notice

\* The default password is "1111", you can change the password later from the "IP Setting" tab.

## IP Setting

The IP Setting tab can change the printer name, Port number, Gateway setting and the password for configuring the printer. You can also set the printer's IP address either by DHCP or by Static IP.

The screenshot shows the 'NetSetting IP Setting' window. At the top, there is a logo for 'NetSetting' and a 'Language' dropdown menu. Below the logo is a navigation bar with several icons, including a printer, a network icon, a power button, a mail icon, a gear, a printer, and a refresh icon. The main content area contains the following fields and options:

- Printer Name: EZ6250i (Length(1~16))
- Port No: 9100
- Default Gateway: 192 . 168 . 0 . 254
- Password: 0000 (Length(1~4))
- Get IP From DHCP Server
- Static IP
- IP Address: 192 . 168 . 101 . 151
- Subnet Mask: 255 . 255 . 255 . 0

At the bottom of the window, there are two buttons: 'Set' and 'ReGet'.

You can press "Set" button to apply the settings and "ReGet" button to refresh the setting values.

### Notice

\* To fully benefit from the NetSetting software, you should be familiar with basic networking principles. Please contact your network administrator for related network setting information.



## Alert Path Setting

NetSetting will send the alert messages to designated mail account when the error happened on printer. The alert messages are sent by SMTP (Simple Mail Transfer Protocol) or SNMP (Simple Network Management Protocol).

You can set or change the configurations of SMTP and SNMP on this “Alert Path Setting” tab.

NetSetting  
Alert Path Setting

Language

SMTP Notification Enable

Login Account:  Length(1~64)

Login Password:  Length(1~16)

Server IP Address:  xxx.xxx.xxx.xxx

Mail Subject:  Length(1~60)

Mail From Address:  Length(1~32)

Mail To Address:  Length(1~32)

Duration Cycle:  0 ~ 168 Hours

Event Counter:  1 ~ 100

SNMP Notification Enable

SNMP Community:  Length(1~16)

SNMP Trap Community:  Length(1~16)

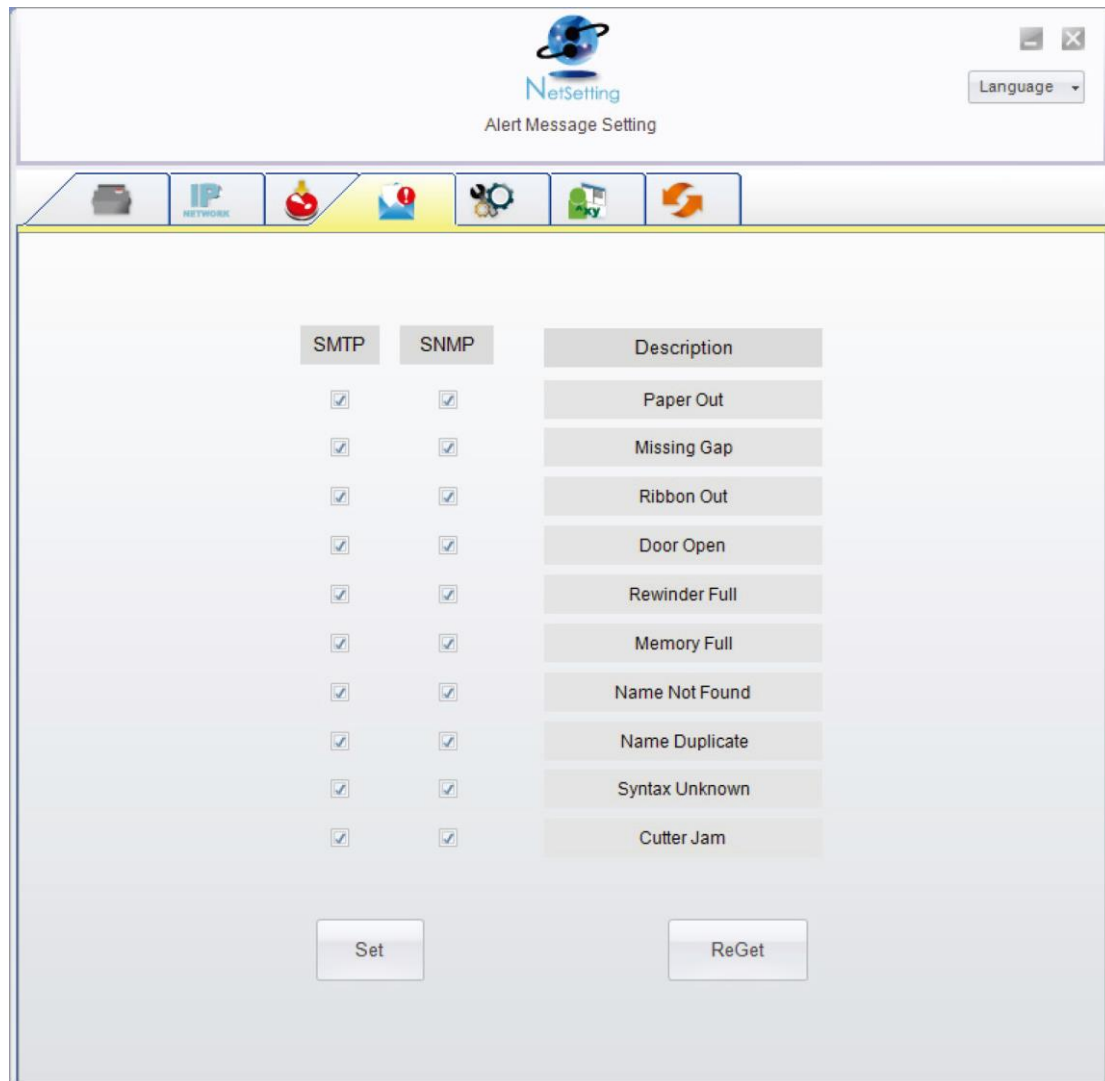
Trap IP Address:  xxx.xxx.xxx.xxx

Set ReGet

You can press “Set” button to apply the settings and “ReGet” button to refresh the setting values.

## Alert Message Setting

For the alert message notification function, you can decide which error cases need to be sent out to the operator. Moreover, the alert messages can be set to be sent by SMTP, SNMP or both.



You can press "Set" button to apply the settings and "ReGet" button to refresh the setting values.

## Printer Configuration

Set or change the configurations of connected printer. Most of key settings for the printer operation can be done by this setting page.

The screenshot shows the NetSetting Printer Configuration web interface. At the top, there is a logo for NetSetting and a window title 'Printer Configuration'. Below the logo is a navigation bar with icons for printer, network, power, help, settings, and refresh. The main content area is titled 'Printer Setup' and contains several configuration options:

Printer Model	Resolution	Speed	Darkness	Stripper/Applicator	Labels per Cut	Printing Mode
EZ6250i	203	4	10	0 (None)	0	Thermal Transf

Below the main settings, there are two panels:

- PC Com Port Settings:**
  - Baud Rate: 9600
  - Parity: None
  - Data Bits: 8
  - Stop Bits: 1
- Miscellaneous:**
  - LCD Language: (blank)
  - Sensing Mode: 2 - Automatic
  - Keyboard Language: (blank)
  - Smart Backfeed: OFF
  - Code Page: Code Page 850
  - Top Of Form: ON
  - Buzzer: ON

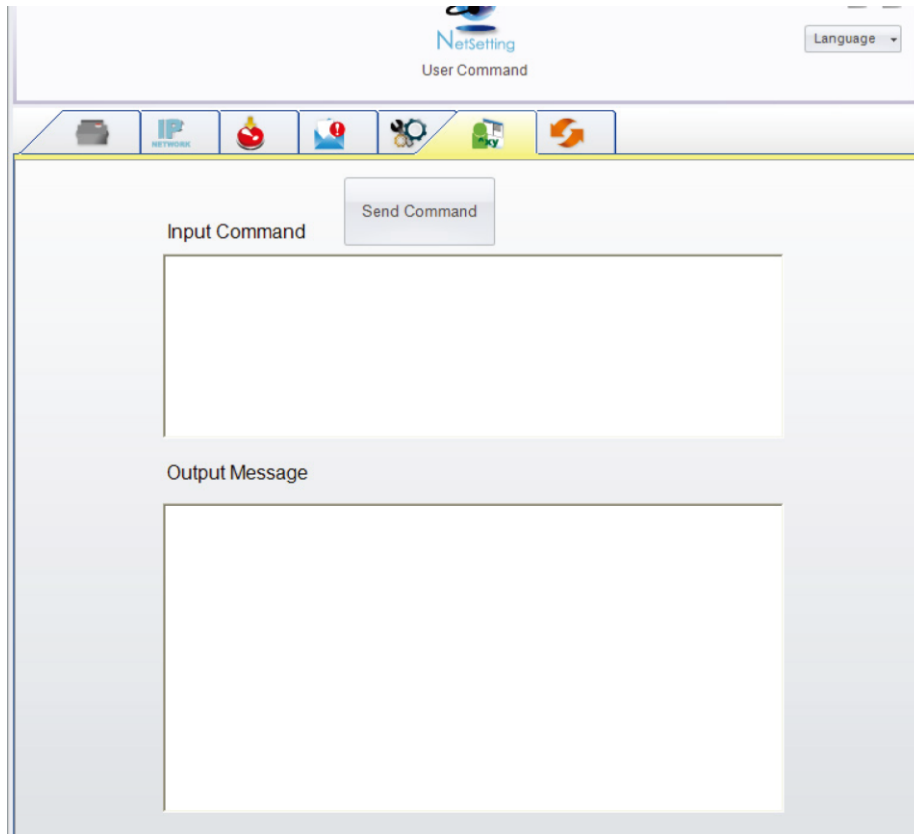
At the bottom of the interface, there are two buttons: 'Set' and 'ReGet'.

You can press "Set" button to apply the settings and "ReGet" button to refresh the setting values.

## User Command

The "User Command" tab provides a communication interface for operator to control the printer. Input printer commands in "Input Command" window and press "Send Command" button, the commands will be sent to the printer.

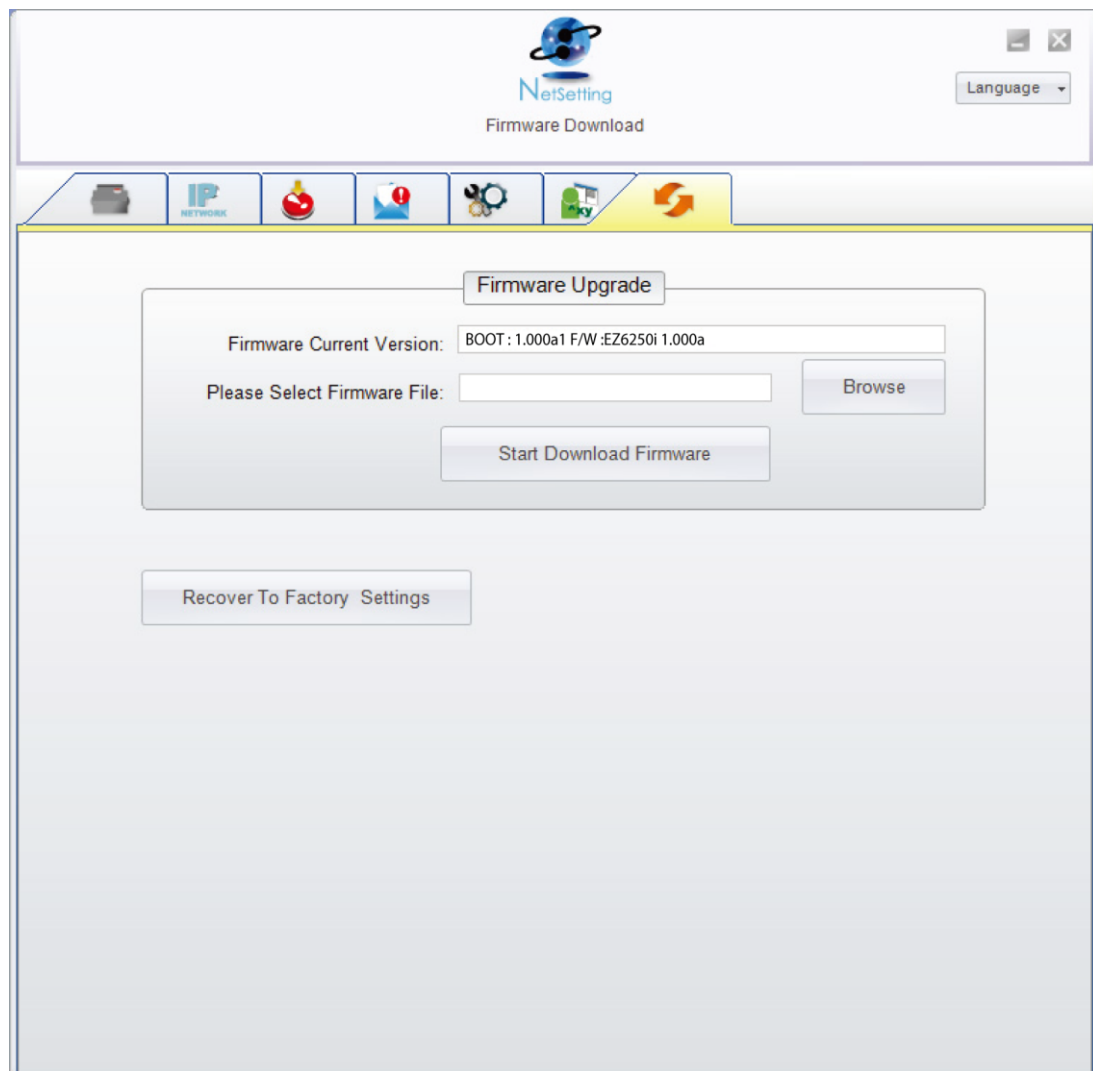
For some commands that will return response message, the message will be displayed in "Output Message" window.



You can press "Send Command" button to send printer commands via Ethernet port and control the printer remotely.

## Firmware Download

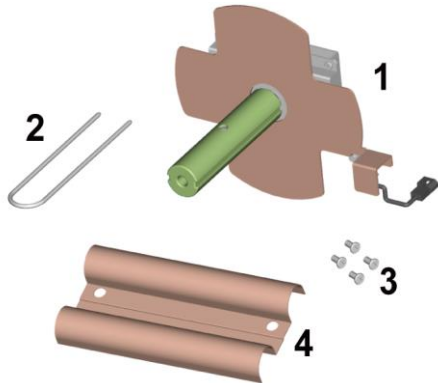
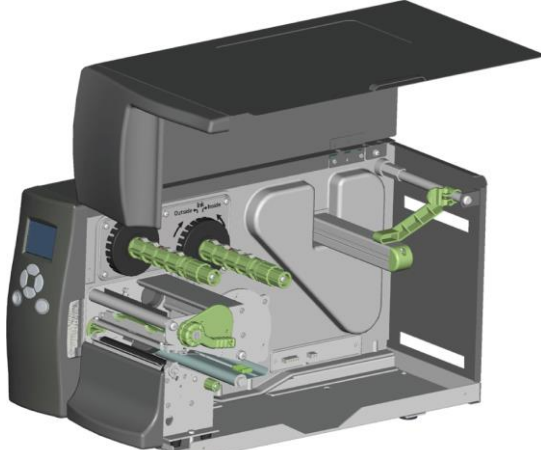
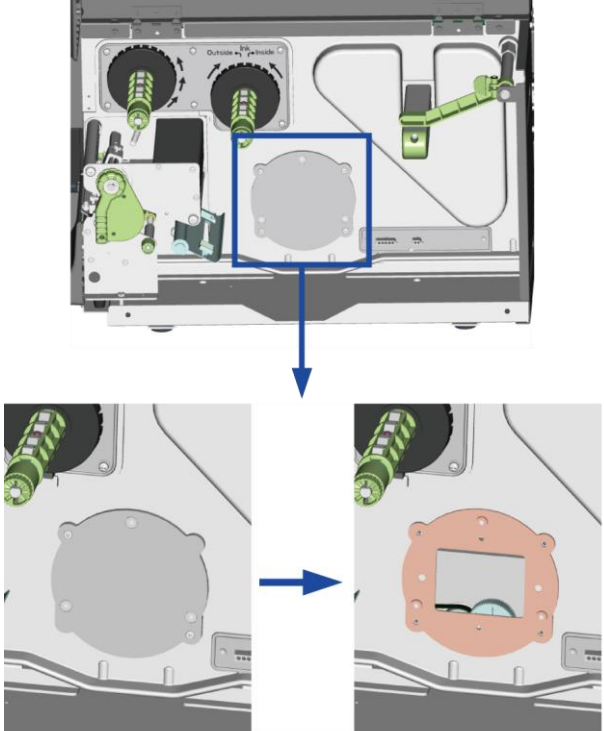
On “Firmware Download” tab, the current version of printer firmware will be showed on the screen. If you need to update the printer firmware, just specify the file location of firmware file and press “Start Download Firmware” button. The printer firmware then can be updated remotely.



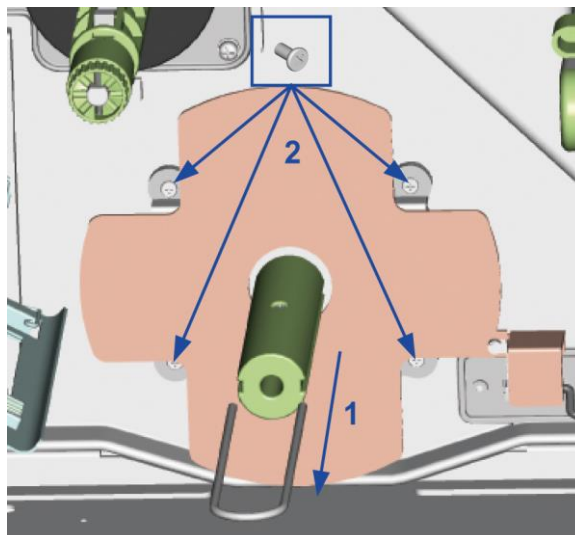
In addition to the firmware update, you can press “Recover To Factory Settings” button to restore the printer configurations back to factory default.

# 5 Accessories

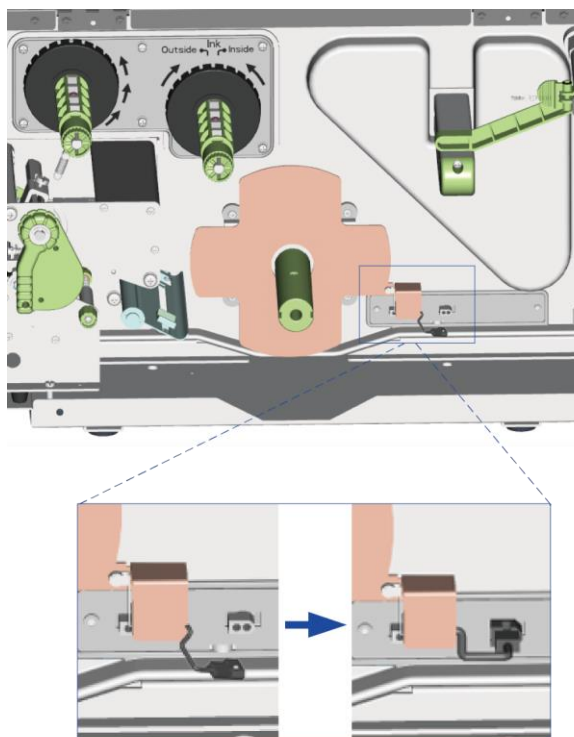
## 5.1 Internal rewinder

1	Rewinder	
2	Retention clip	
3	Screws (set of 4)	
4	Rewinder guide	
<p><b>【Note】</b> Maximum height of the rewind medium: 118 mm</p> <p><b>【Suggestion】</b> Medium thickness: 0.06 mm–0.25 mm</p>		
<p>1. Place the printer on a flat surface and open the printer cover.</p> <p><b>【Note】</b> Remember to switch off the printer before starting the installation.</p>		
<p>2. Remove the cover for the rewinder module.</p>		

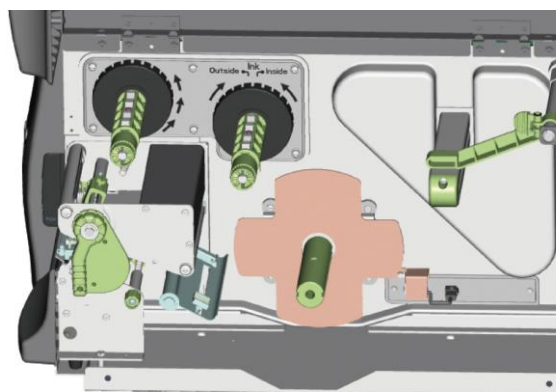
3. Remove the retention clip from the rewinder.
4. Secure the rewinder on the printer housing using the four screws supplied.



5. Now connect the rewinder cable to the printer housing.

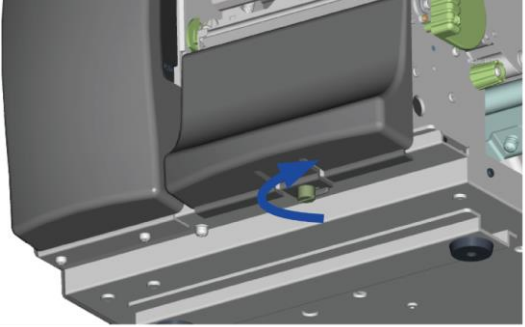
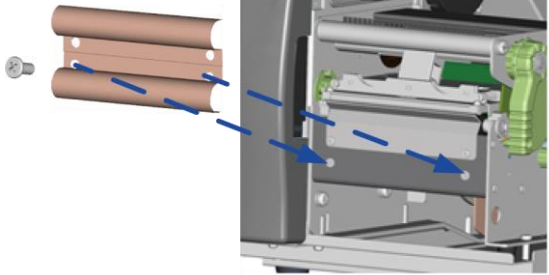

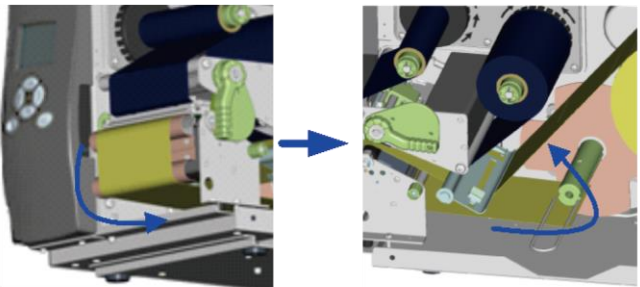
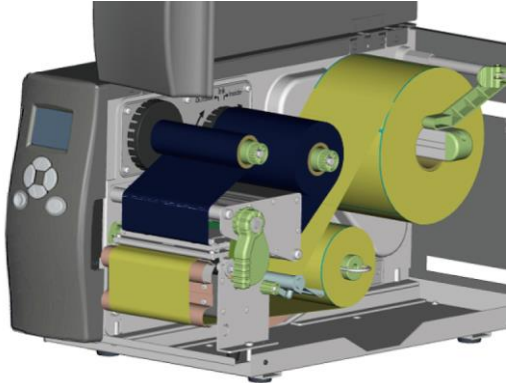


6. Installation of the rewinder module is now complete.



※After the rewinder module is installed, please send the command "`^XSET,REWINDER,1`"、"`^O1`" through Golabel to activate the rewinder module.

## 5.2 Installing the rewinder guide

<p>1. Unscrew the screw marked in the illustration on the front of the printer, which secures the lower cover plate.</p> <p>2. Remove the lower cover plate.</p> <p><b>【Note】</b> <i>Switch off the printer before starting the installation.</i></p>	
<p>3. Mount the rewinder guide on the print mechanism and secure it with screws.</p>	
<p>4. Installation of the rewinder guide is now complete.</p>	
<p>5. Now load the label stock.</p> <p>6. Pass the label stock through the rewinder from the bottom up.</p> <p>Secure the label stock on the rewinder using the retention clip.</p> <p><b>【Note】</b> <i>Make sure you choose the correct rewind direction.</i></p>	
<p>7. Close the printer cover to complete the installation.</p> <p><b>【Note 1】</b> <i>Before you start using the rewinder, please make sure that you have carried out all the steps as shown in the illustrations.</i></p> <p><b>【Note 2】</b> <i>To use the label dispenser, you have to remove the rewinder guide again.</i></p>	



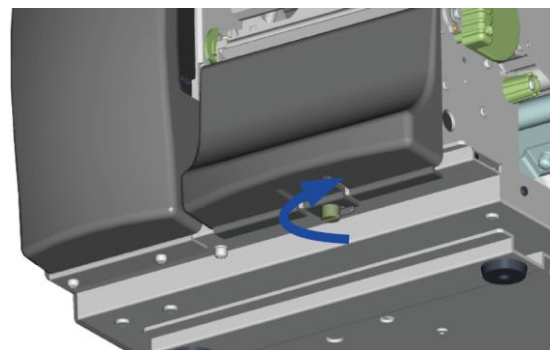
### 5.3 Label dispenser

1. Unscrew the screw marked in the illustration on the front of the printer which secures the lower cover plate.

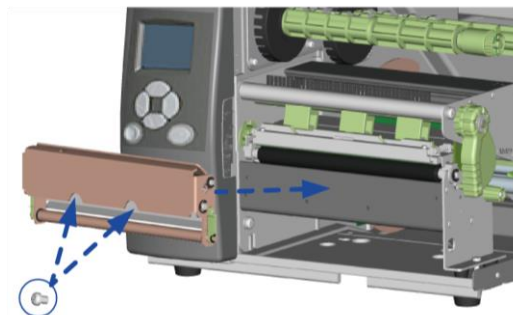
2. Remove the lower cover plate.

**[Note]**

*Switch off the printer before starting the installation.*

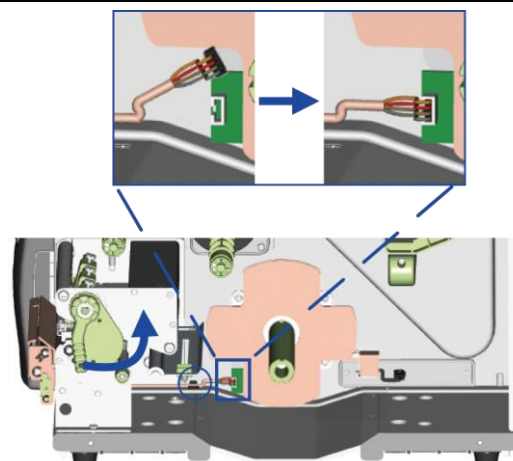


3. Screw the Screws.



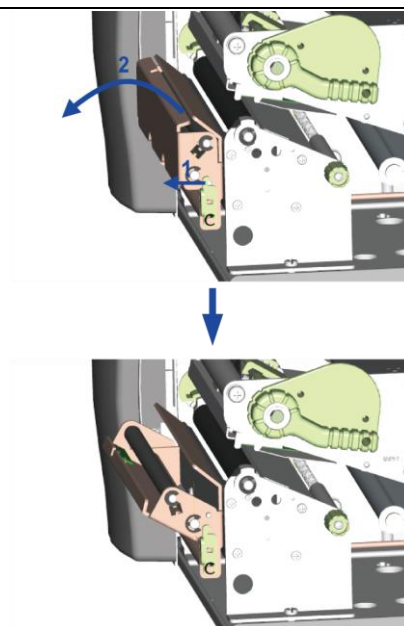
4. Connect the dispenser cable connector to the dispenser jack on the printer.

5. Route the connection cable along the bottom of the printer housing using the cable clips.



6. Pull the handle on the dispenser (as in arrow 1 Shown).

7. Open the dispenser in the direction of arrow 2.

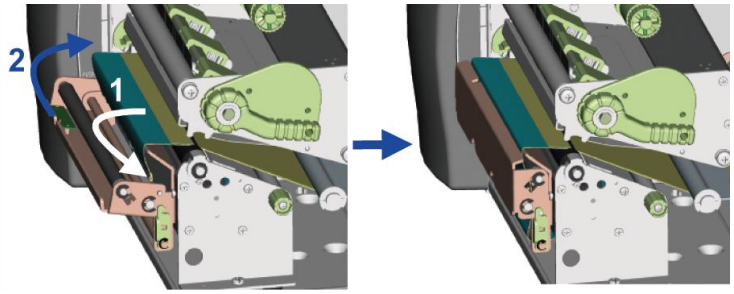


8. Pass the label liner through the print mechanism and from the bottom up onto the rewinder (as in arrow 1 Shown).

9. Close the dispenser.

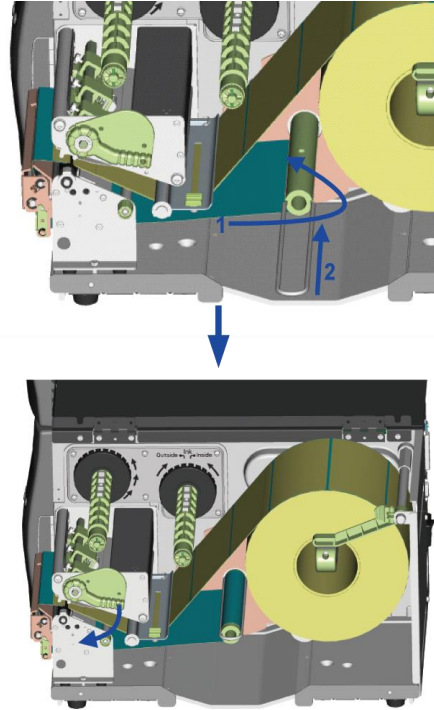
**【Note】**

*Please make sure that the label stock rewinds the right way onto the rewind hub.*

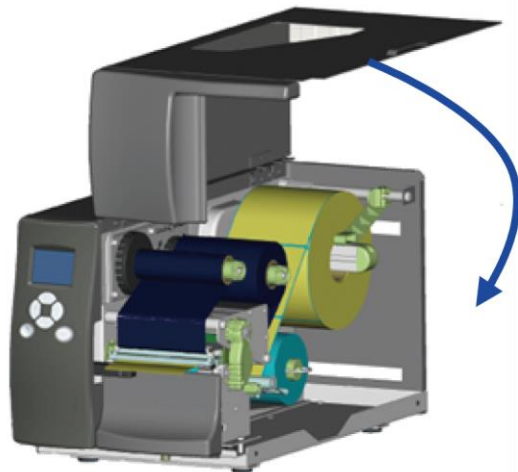


10. Wind the label liner around the rewinder and secure it using the retention clip.


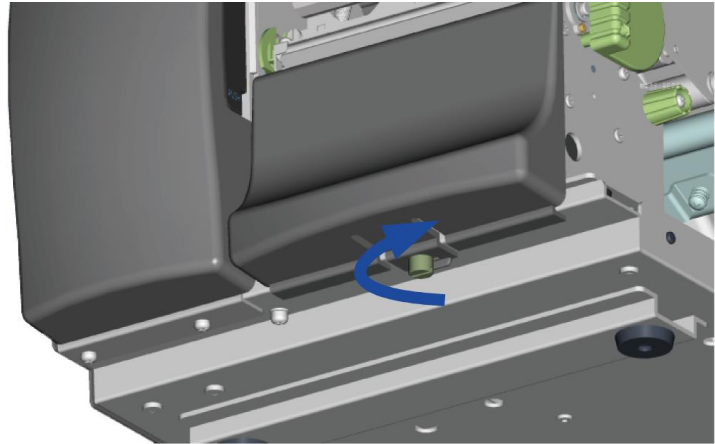
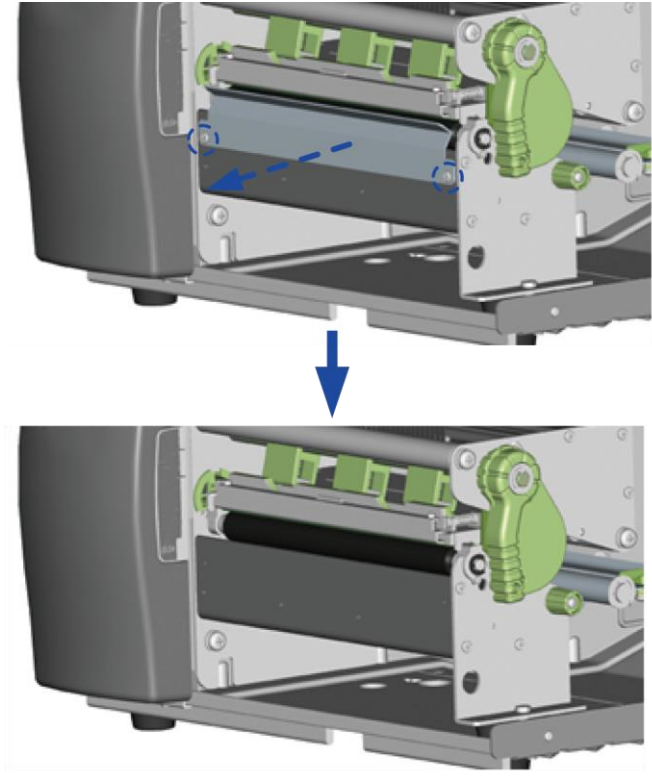
11. Return the print head release level to its original position.



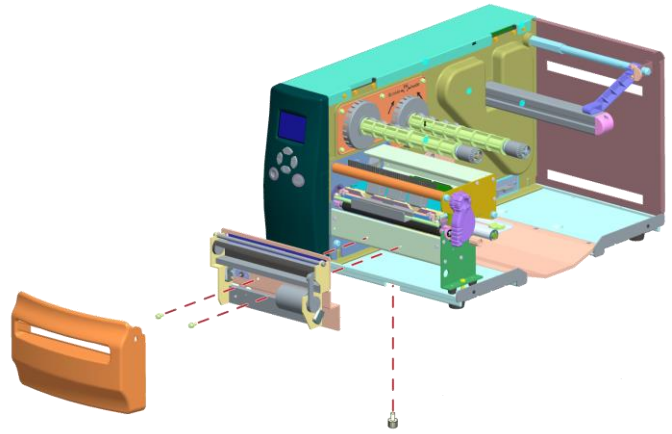
12. Close the printer cover to complete installation of the dispenser.



## 5.4 Installing the cutter

1	Cutter module	
2	Cable clips	
3	Screws (set of 2)	
<p><b><i>【Note 1】</i></b> <i>Do not use to cut adhesive labels! Glue residue will be left on the cutter blade and impair its functioning.</i></p> <p><b><i>【Note 2】</i></b> <i>The cutter has a blade life of 500,000 cuts when using paper weighing 160 g/m<sup>2</sup> and 250,000 cuts when using paper weighing 200 g/m<sup>2</sup>.</i></p>		
<p>1. Unscrew the screw marked in the illustration on the front of the printer, which secures the lower cover plate.</p> <p><b><i>【Note 1】</i></b> <i>Remember to switch off the printer before installing the cutter.</i></p>		
<p>2. Remove the two screws securing the tear-off plate, then remove the tear-off plate.</p>		

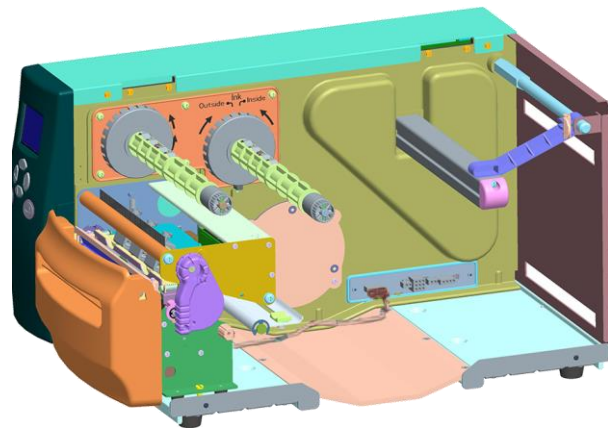
3. Secure the cutter module on the printer housing using the screws.



4. Connect the cutter cable connector to the cutter jack on the printer.



5. Route the connection cable along the bottom of the printer housing using the cable clips.



6. Load the label roll and ribbon.

7. Close the printer cover.

【Note 1】

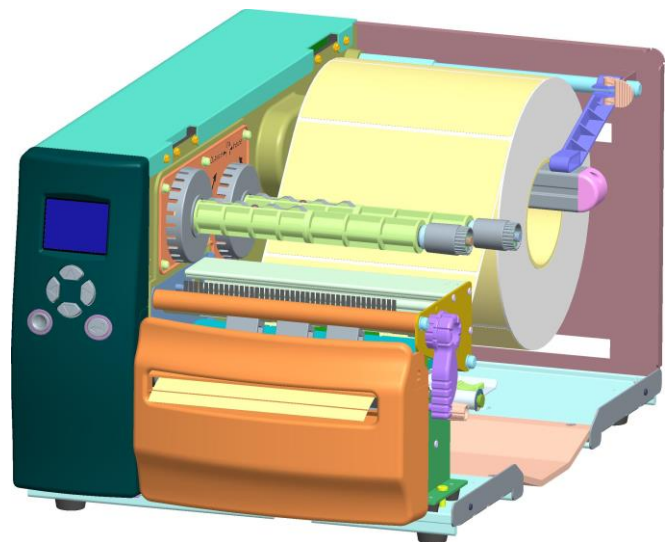
Check whether the cutter function is enabled in the printer.

【Note 2】

Labels or paper should be at least 30 mm high.

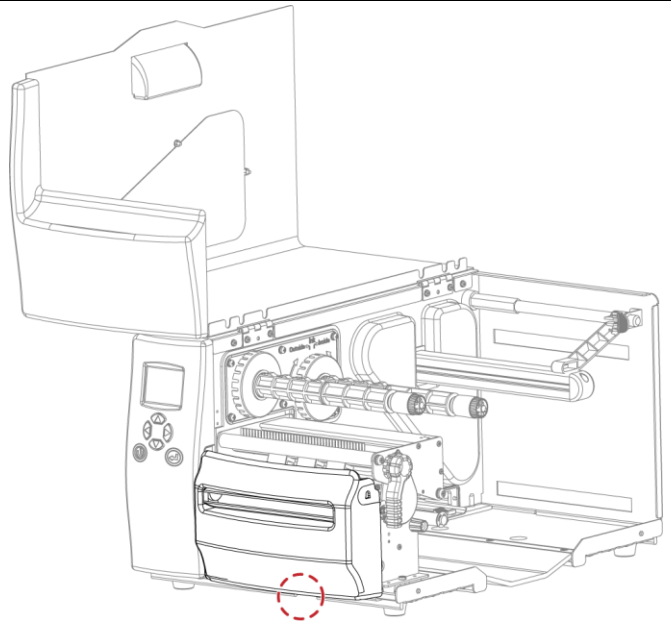
【Note 3】

After installation of the cutter module, set the stop position(^E) to 26.

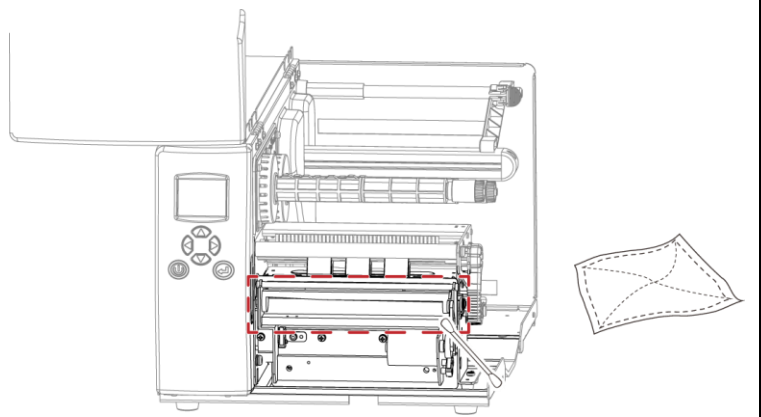
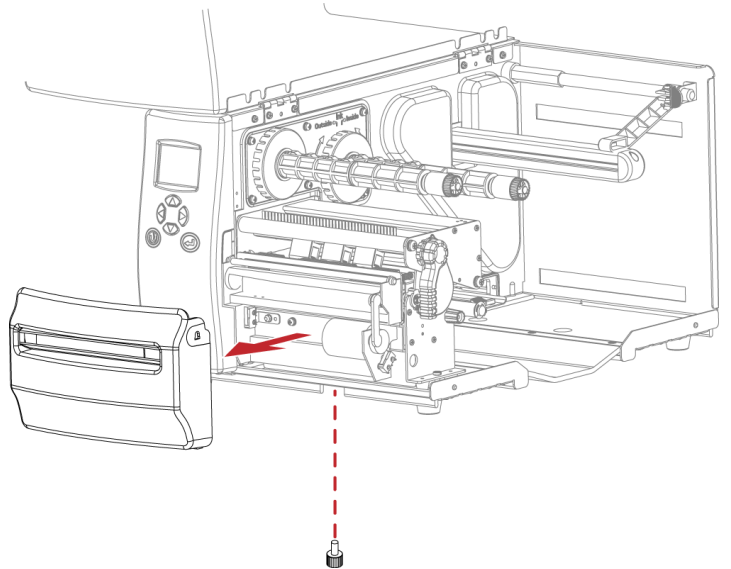


## 5.5 Cleaning Method

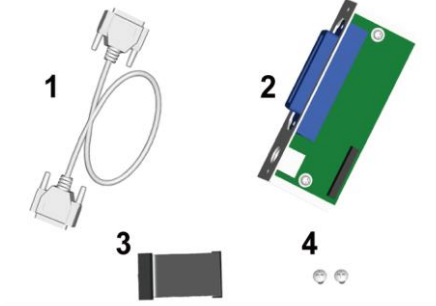
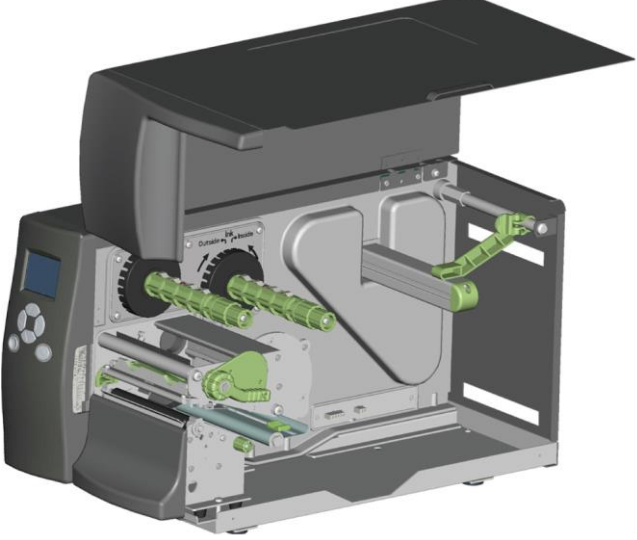
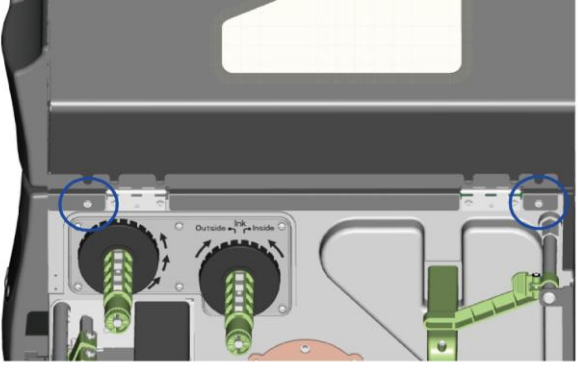
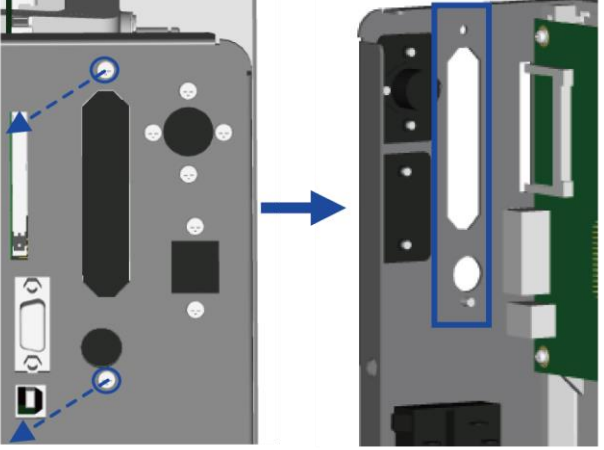
1.Remove the screws and cover.



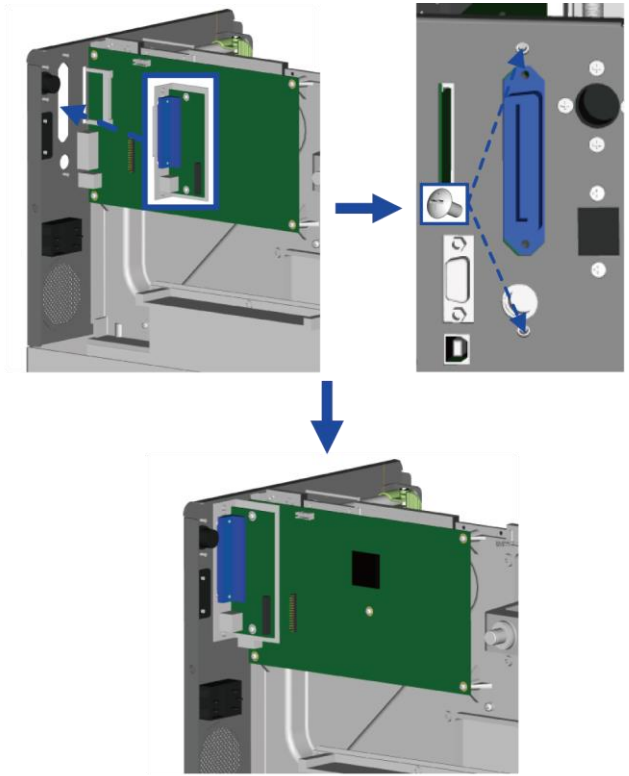
2.Wipe with a cotton swab or dry lint-free cloth



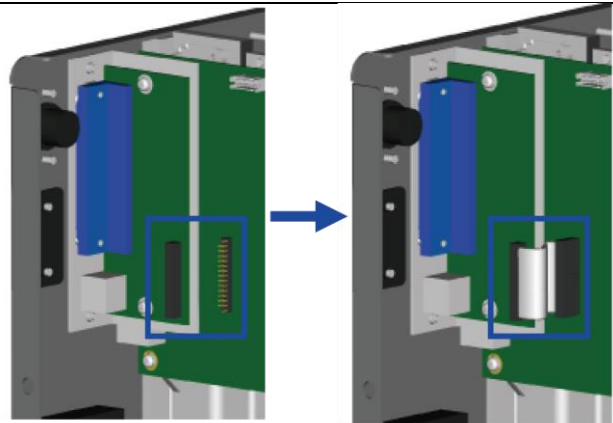
## 5.6 Installing the Parallel adapter

1 2 3 4	Parallel cable Parallel adapter Connection cable Screws (set of 2)	 A diagram showing the components for installing the parallel adapter. Item 1 is a parallel cable with a D-sub connector on one end and a standard cable connector on the other. Item 2 is a green parallel adapter card with a D-sub connector on one side and a standard connector on the other. Item 3 is a black connection cable. Item 4 is a set of two screws.
1. Check whether the printer is switched off. Place the printer on a flat surface and open the printer cover.	 A 3D illustration of a printer with its top cover open, showing the internal components. The printer is dark grey and black. The cover is lifted upwards, revealing the internal mechanism.	
2. Unscrew the two screws marked in the illustration on the right and remove the left-hand side of the printer housing.	 A close-up 3D illustration of the printer's internal housing. Two screws are circled in blue, indicating they should be removed. The left-hand side of the housing is shown being detached from the main body.	
3. Unscrew the screws on the parallel port cover and remove the cover.	 A close-up 3D illustration of the parallel port cover. Two screws are circled in blue, indicating they should be removed. The cover is shown being detached from the printer's chassis, revealing the internal parallel port area.	

4. Install the Parallel adapter in its place and secure it on the housing with screws.

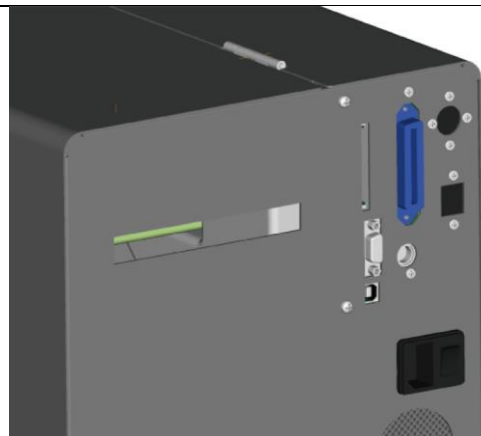


5. Connect the 30-pin connection cable to the motherboard.



6. Replace the left-hand part of the printer housing and secure it with the screws you removed earlier.

7. Installation of the Parallel adapter is now complete.



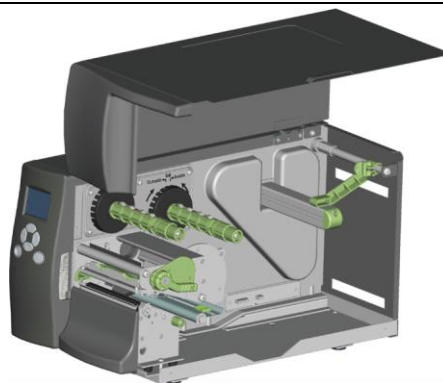
# 6 Maintenance and Adjustment

## 6.1 Installing / removing the print head module

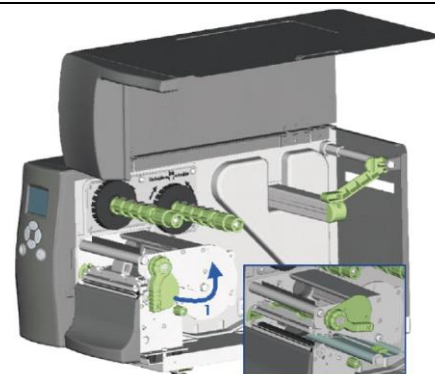
1. Open the printer cover.

**[Note]**

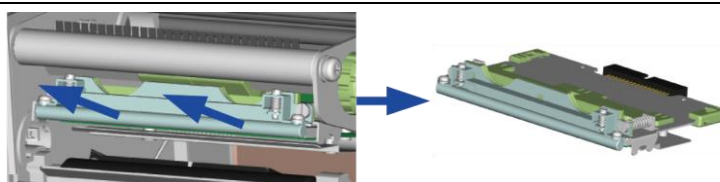
*Remember to switch off the printer before removing the print head module.*



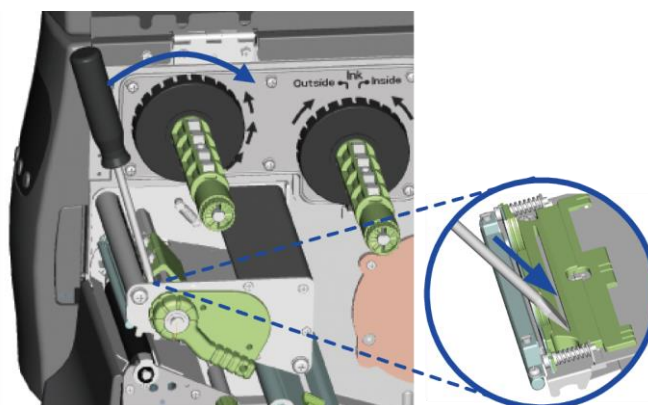
2. Lift up the TPH lever



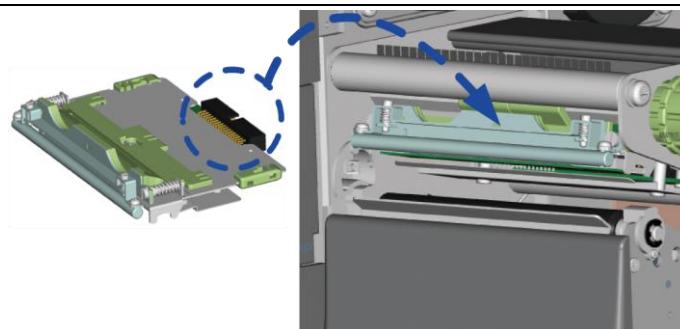
3. Hold the print head module at the front and gently pull it out.



4. If you cannot remove the module by gently pulling it, use a screwdriver as shown in the illustration.



5. Hold the module at the front and slide it into the printer along the guide rails. Firmly press the module in so the contacts are fully connected.

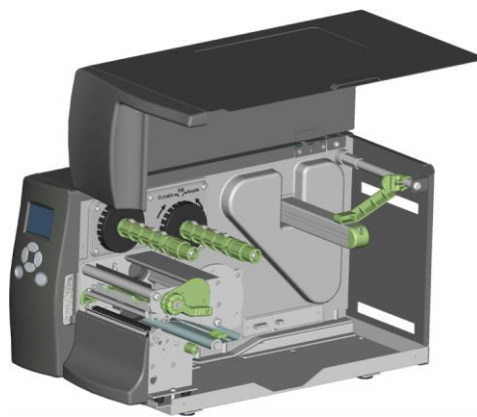




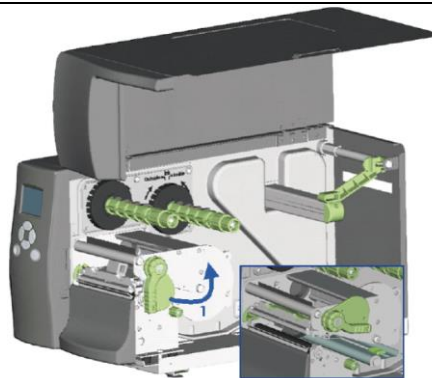
## 6.2 Adjusting the print line

Please contact your local dealer for technical support.

1. Open the printer cover.

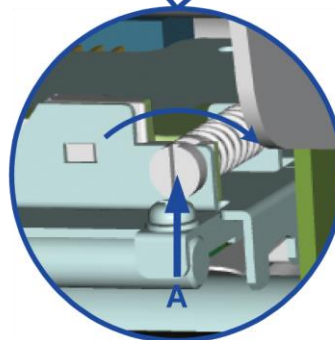
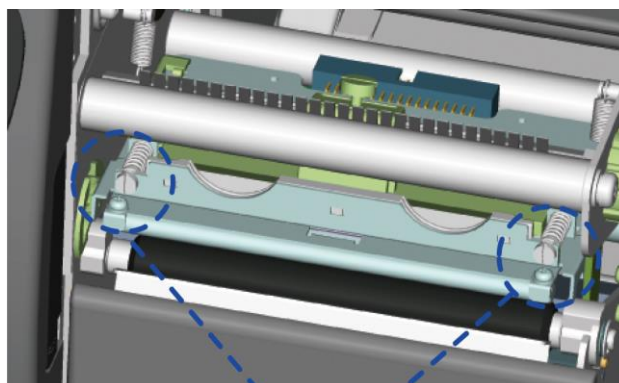


2. Lift up the TPH lever



3. TPH print line adjustment:

- When printing is slow or when printing on thick label stock, the print line must be moved to the front (in paper feed direction) for a better print result. Using a flat-head screwdriver, turn the screws clockwise to move the TPH forward.
- The two screws on the left and right must be adjusted to the same position to ensure the print line and feed roller are in parallel.
- One turn of the screw moves the print head by 0.5 mm. To keep track of the change in quality, you should adjust the screws by  $\frac{1}{4}$  turn at a time.
- If no improvement is visible, gently turn the screws clockwise as far as possible, then restart the adjustment process from there.



## 6.3 Adjusting the ribbon tension

You can adjust the ribbon tension by turning the ribbon shaft knob (green wheel at the base of the ribbon supply hub – see illustration) clockwise or anticlockwise.

There are 4 possible settings, which are marked on the knob of the ribbon rewind hub and the ribbon supply hub.

When set to 1, the tension is highest, while the tension is lowest at 4.

If the tension is so low that the ribbon does not move forward, you need to reduce the tension of the ribbon supply hub or increase the tension of the ribbon rewind hub.

To set the tension, press in the knob and turn it clockwise or anticlockwise as required.

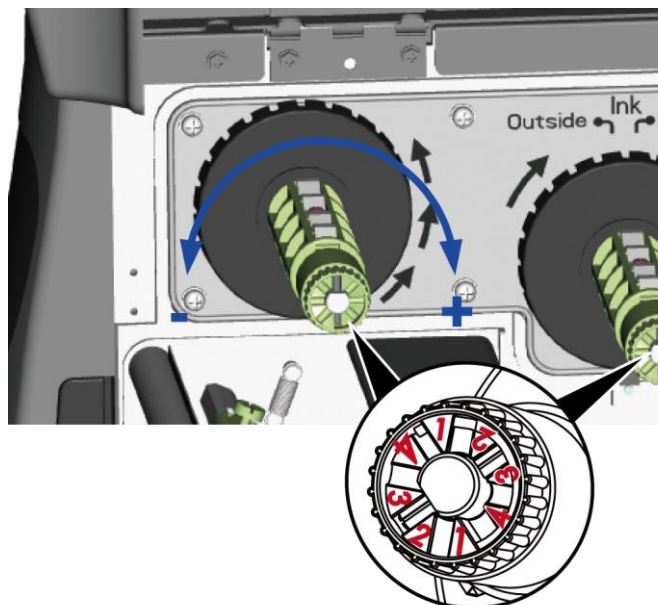
Increasing the tension of the ribbon rewind hub will remove any wrinkling of the ribbon during printing, which results from the use of different ribbon materials. (For details about the wrinkling/creasing of ribbons, see Section 5-6.)

If you are using a very narrow ribbon, the printer may not move the label stock forward (particularly with a ribbon that is less than 2" wide).

In that case, reduce the tension by turning the knob of the ribbon supply hub anticlockwise.

If the tension is too high, the ribbon core may be crushed and thus impossible to remove.

In that case, reduce the tension of the ribbon supply hub and the ribbon rewind hub by turning the knobs anticlockwise.



## 6.4 Cleaning the thermal print head

Dirt on the print head or ribbon may result in inadequate print quality (no printed image on part of the label).

The printer cover should therefore be kept closed whenever possible.

Keeping dirt and dust away from the paper or labels ensures a good print quality and a longer lifespan of the print head. Here is how you clean the print head:

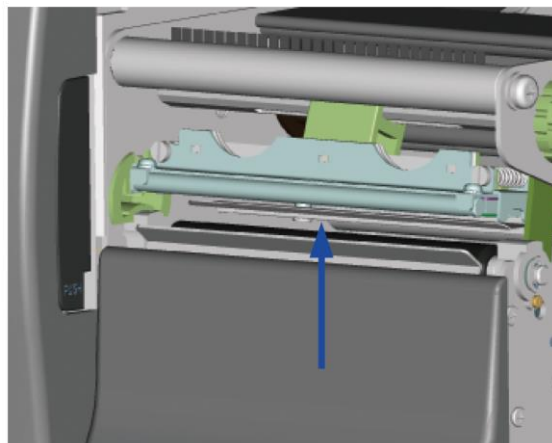
1. Switch off the printer.
2. Open the printer cover.
3. Remove the ribbon.
4. Release the print head by turning the print head release lever.
5. To remove any label residue or other dirt from the print head (see blue arrow), please use a soft lint-free cloth dipped in alcohol.

### **【 Note 1 】**

*The print head should be cleaned once a week.*

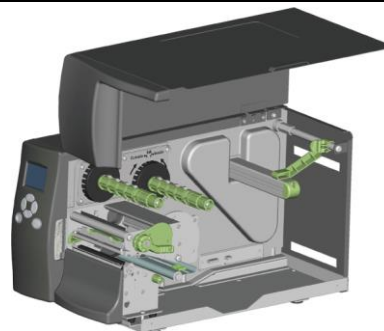
### **【 Note 2 】**

*Please make sure that there are no metal fragments or other hard particles on the soft cloth used to clean the print head.*

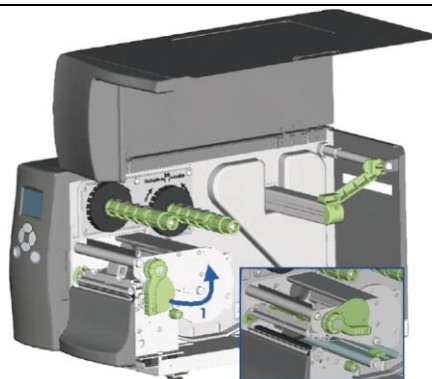


## 6.5 Adjusting the balance and print head tension

1. Open the printer side cover.

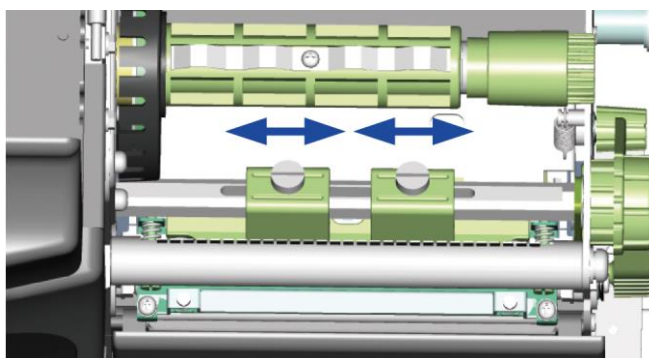


2. Lift up the TPH lever

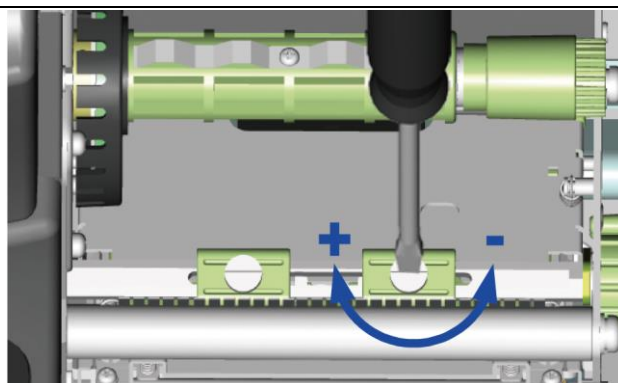


When using a variety of label stock and ribbons, the ink may not be evenly distributed. If there is no printed image on one side of the paper, or the ribbon wrinkles, the print head pressure must be readjusted using the TPH spring boxes.

3. Move the TPH spring boxes as shown in the illustration to change the print head pressure. The wider the medium you are using, the further out the TPH spring boxes must be moved.



4. Turning the screw clockwise increases the pressure, while turning it anticlockwise reduces the pressure.



## 6.6 Ribbon shield settings

1. The use of different ribbon materials may cause wrinkling of the ribbon, which in turn affects the print result as illustrated by the examples in (a) and (b).

To change the print quality, you can adjust the ribbon shield screws.

If your print result looks like the example in (a), you need to turn ribbon shield screw A clockwise. If your print result looks like the example in (b), you need to turn ribbon shield screw B clockwise.



(a)

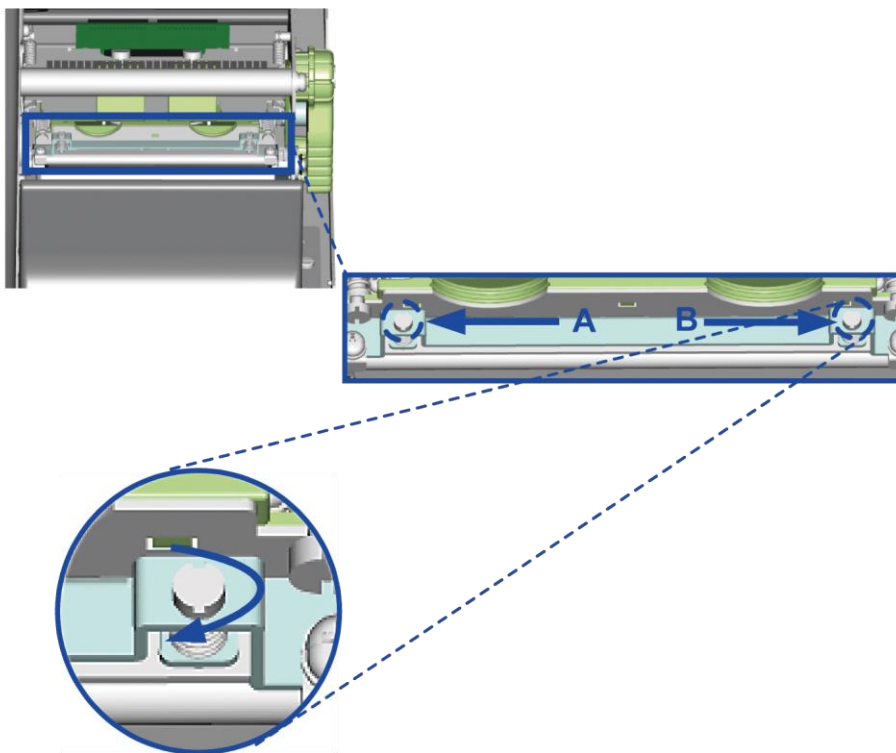


(b)

2. To keep track of the change in print quality, you should adjust the screws by half a turn at a time. Print a test page. If there is no improvement in the print result, turn the screw by another half turn. Do not turn the adjustment screw more than two full turns.

### **[Note]**

*If you adjust the screw by more than two full turns, the paper feed may no longer function correctly. In that case, unscrew the ribbon shield screws fully and restart the adjustment process.*

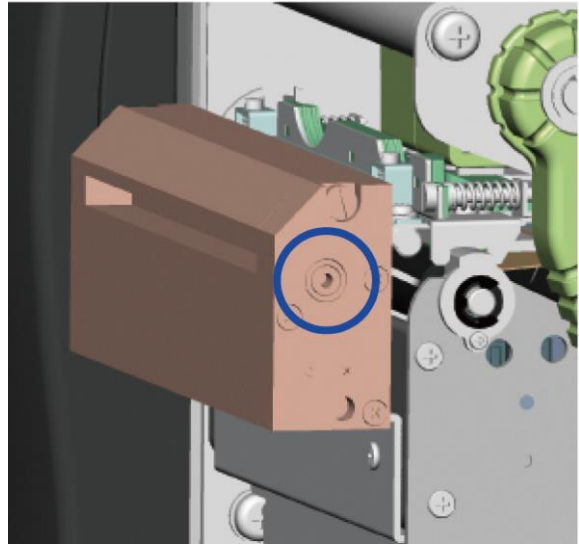


## 6.7 Cutter settings

1. Socket head screws for adjusting the cutter are located on both sides of the cutter.
2. In the event of a paper jam, the cutter will no longer function correctly. Switch off the printer and use a hex key (#M3) to turn the socket head screw.
3. Turn the key anticlockwise to remove the jammed paper.
4. When you have removed the jammed paper, you can switch the printer back on. The cutter will automatically reset.

**【 Note 】**

*The label medium should be at least 30 mm long to ensure correct functioning of the cutter.*



## 6.8 Troubleshooting

Problem	Solution
The printer is switched on but the LED does not light up.	<ul style="list-style-type: none"> <li>◆ Check the power supply.</li> </ul> Please see the Section 2.4
The LED lights up red and printing is interrupted.	<ul style="list-style-type: none"> <li>◆ Check the software settings (driver settings) or command codes.</li> <li>◆ Look for the error alert in the table in Section 3.3. Error Alerts.</li> <li>◆ Check whether the print mechanism is closed correctly.</li> </ul> Please see the Section 3.3
The label stock passes through the printer but no image is printed.	<ul style="list-style-type: none"> <li>◆ Please make sure that the label stock is loaded the right way up and that it is suitable material.</li> <li>◆ Choose the correct printer driver.</li> <li>◆ Choose the correct label stock and a suitable printing mode.</li> </ul>
The label stock jams during printing.	<ul style="list-style-type: none"> <li>◆ Clear the paper jam. Remove any label material left on the thermal print head and clean the print head using a soft lint-free cloth dipped in alcohol.</li> </ul> Please see the Section 6.1
There is no printed image on some parts of the label.	<ul style="list-style-type: none"> <li>◆ Check whether any label material or ribbon is stuck to the thermal print head.</li> <li>◆ Check for errors in the application software.</li> <li>◆ Check whether the starting position has been set incorrectly.</li> <li>◆ Check the ribbon for wrinkles.</li> </ul>
There is no printed image on part of the label or the image is blurred.	<ul style="list-style-type: none"> <li>◆ Check the thermal print head for dust or other dirt.</li> <li>◆ Use the internal “~T” command to check whether the thermal print head will carry out a complete print job.</li> <li>◆ Check the quality of the print medium.</li> </ul>
The printed image is positioned incorrectly.	<ul style="list-style-type: none"> <li>◆ Check whether there is paper or dust covering the sensor.</li> <li>◆ Check whether the label stock is suitable. Contact your supplier.</li> <li>◆ Check the paper guide settings.</li> </ul>
A label is missed out during printing.	<ul style="list-style-type: none"> <li>◆ Check the label height setting.</li> <li>◆ Check whether there is dust covering the sensor.</li> <li>◆ Run the auto-detection function.</li> </ul> Please see the Section 3.2
The printed image is blurred.	<ul style="list-style-type: none"> <li>◆ Check the darkness setting.</li> <li>◆ Check the thermal print head for dust or dirt.</li> </ul> Please see the Section 6.1
The cutter does not cut off the labels in a straight line.	<ul style="list-style-type: none"> <li>◆ Check whether the label stock is positioned straight.</li> </ul>
The cutter does not cut off the labels completely.	<ul style="list-style-type: none"> <li>◆ Check whether the label is more than 0.2 mm thick.</li> </ul>
When using the cutter, the labels are not fed through or cut off incorrectly.	<ul style="list-style-type: none"> <li>◆ Check whether the cutter has been correctly installed.</li> <li>◆ Check whether the paper guides are functioning correctly.</li> </ul>
The label dispenser is not functioning normally.	<ul style="list-style-type: none"> <li>◆ Check whether there is dust on the label dispenser.</li> <li>◆ Check whether the label stock is positioned correctly.</li> </ul>

### Notice

\* If any problems occur that are not described here, please contact your dealer.

# APPENDIX

## PRODUCT SPECIFICATIONS

Model		EZ6250i	EZ6350i
Print Method		Thermal Transfer / Direct Thermal	
Resolution		203 dpi (8 dots/mm)	300 dpi (12 dots/mm)
Print Speed		7 IPS (177 mm/s)	5 IPS(127 mm/秒)
Print Width		6.61"(168 mm)	
Print Length		Min. 0.16"(4 mm); Max. 118"(3000 mm)	Min. 0.16"(4 mm); Max. 54"(1371 mm)
Processor		32-bit RISC CPU	
Memory	Flash	8 MB Flash (4 MB for user storage)	
	SDRAM	32 MB	
Sensor Type		Adjustable reflective sensor and transmissive sensor, left aligned	
Media	Types	Continuous form, gap labels, black mark sensing and punched hole; label length set by auto sensing or programming	
	Width	Tear: 2" (50.8 mm) Min. - 7" (178 mm) Max. Cutter: 6.5" (165 mm) Max. Peeler with Rewind: 7" (178 mm) Max.	
	Thickness	Min. 0.003" (0.076 mm) - Max. 0.01" (0.25mm)	
	Label Roll Diameter	Max. 8" (203.2 mm) with 3" (76.2 mm) core Max. 6" (152.4 mm) with 1.5" (38.1 mm) core	
	Core Diameter	1.5" (38.1 mm) – 3" (76.2 mm)-	
Ribbon	Types	Wax, wax/resin, resin	
	Length	1471' (450 m)	
	Width	Min. 2.36" – Max. 6.85" (60mm – 174mm)	
	Ribbon Roll Diameter	2.99" (76 mm) Max.	
	Core Diameter	1" (25.4 mm)	
Printer Language		EZPL,GEPL,GZPL,GDPL auto switch	
Software	Label Design Software	GoLabel (for EZPL only)	
	Driver	Vista, Windows 7, Windows 8 & 8.1, Windows 10, Windows Server 2008 R2, 2012, 2012 R2, 2016, 2019, MAC, Linux	
	SDK	Win CE, .NET, Windows Vista, Windows 7, Windows 8 & 8.1, Windows 10, Android, Mac, iOS	
Resident Fonts	Bitmap Fonts	6 x 8 x 10 x 12 x 14 x 18 x 24 x 30 x 16x26 and OCR A&B Bitmap fonts 90° x 180° x 270° rotatable, single characters 90° x 180° x 270° rotatable Bitmap fonts 8 times expandable in horizontal and vertical directions TTF Fonts(Bold/Italic/Underline) 0° x 90° x 180° x 270° rotatable	
	Scalable Fonts	90° x 180° x 270° rotatable	
	Bitmap Fonts	90° x 180° x 270° rotatable, single characters 90° x 180° x 270° rotatable	
Download Fonts	Asian Fonts	90° x 180° x 270° rotatable and 8 times expandable in horizontal and vertical directions	
	Scalable Fonts	90° x 180° x 270° rotatable	
Barcodes	1-D Bar Codes	China Postal Code, Codabar, Code 11, Code 32, Code 39, Code 93, Code 128 (subset A, B, C), EAN-8/EAN-13 (with 2 & 5 digits extension), EAN 128, FIM, German Post Code, GS1 DataBar, HIBC, Industrial 2 of 5, Interleaved 2-of-5 (I 2 of 5), Interleaved 2-of-5 with Shipping Bearer Bars, ISBT-128, ITF 14, Japanese Postnet, Logmars, MSI, Postnet, Plessey, Planet 11 & 13 digit, RPS 128, Standard 2 of 5, Telepen, Matrix 2 of 5, UPC-A/UPC-E (with 2 or 5 digit extension), UCC/EAN-128 K-Mart and Random Weight	
	2-D Bar Codes	Aztec code, Code 49, Codablock F, Datamatrix code, MaxiCode, Micro PDF417, Micro QR code, PDF417, QR code, TLC 39, GS1 Composite Codepage 437, 850, 851, 852, 855, 857, 860, 861, 862, 863, 865, 866, 869, 737	
Code Pages		Windows 1250, 1251, 1252, 1253, 1254, 1255, 1257 Unicode UTF8 x UTF16BE x UTF16LE	
Graphics		Resident graphic file types are BMP and PCX, other graphic formats are downloadable from the software	
Interfaces		USB 2.0(B-Type) x USB Host (A-Type) x Serial port: RS-232 (DB-9) x IEEE 802.3 10/100 Base-Tx Ethernet port(RJ-45)	
Control Panel		Color TFT LCD with navigation button Calibration button Control key: FEEd Power on/off button	
Real Time Clock		Standard	
Power		Auto Switching 100-240V AC, 50-60Hz	
Environment	Operation Temperature	41°F to 104°F (5°C to 40°C)	
	Storage Temperature	-4°F to 140°F (-20°C to 60°C)	
Humidity	Operation	20-85% x non-condensing	
	Storage	10-90% x non-condensing	
Agency Approvals		CE(EMC) x FCC Class B x CB x UL x cUL x CCC (The safety certification marks may be different depending on sales regions.)	
Dimension	Length	20.31" (516 mm)	
	Height	11.22" (285 mm)	
	Width	13.58" (345 mm)	
Weight		36.8 lbs (16.7kg), excluding consumables	
Options & Accessories	Cutter Module		
	Label Dispenser + Internal Rewinder		
	Parallel port adapter module (Centronic female 36-pin)		
	Applicator Interface(1 input, 3 outputs, power 500mA @5V, for project base) External label rewinder		

### Notice

\* Specifications are subject to change without notice. All company and/or product names are trademarks and/or registered trademarks of their respective owners.

\* Minimum print height and maximum print speed specification compliance can be dependent on non-standard material variables such as label type, thickness, spacing, liner construction, etc. Godex is pleased to test non-standard materials for minimum print height and maximum print speed capability.

\* The cutter is an optional accessory. If the cutter is installed, it is not suitable for children to approach.



## INTERFACE

- Parallel port

Handshaking : DSTB is sent to the printer, BUSY to the host computer

Interface cable : Parallel cable compatible with IBM computers

Pinout : See below

Pin No.	Function	Transmitter
1	/Strobe	Computer / printer
2-9	Data 0-7	Computer
10	/Acknowledge	Printer
11	Busy	Printer
12	/Paper empty	Printer
13	/Select	Printer
14	/Auto-Linefeed	Computer / printer
15	N/C	
16	Signal Gnd	
17	Chassis Gnd	
18	+5V, max 500mA	
19-30	Signal Gnd	Computer
31	/Initialize	Computer / printer
32	/Error	Printer
33	Signal Ground	
34-35	N/C	
36	/Select-in	Computer / printer

- Serial Port

Default settings : Baud rate 9600, no parity, 8 data bits, 1 stop bit, XON/XOFF protocol and RTS/CTS

RS232 Housing(9-pin to 9-pin)		
DB9 Socket		DB9 Plug
-	1	+5V, max 500mA
RXD	2	TXD
TXD	3	RXD
DTR	4	N/C
GND	5	GND
DSR	6	RTS
RTS	7	CTS
CTS	8	RTS
RI	9	N/C
Computer		Printer

### Notice

\* The total current to the serial port may not exceed 500mA.

- USB

Connector Type : Type B				
Pin NO.	1	2	3	4
Function	VBUS	D-	D+	GND

- Internal Interface

UART1 wafer		Ethernet module
N.C	1	N.C
TXD	2	RXD
RXD	3	TXD
CTS	4	RTS
GND	5	GND
RTS	6	CTS
E_MD	7	E_MD
RTS	8	CTS
E_RST	9	E_RST
+5V	10	+5V
GND	11	GND
+5V	12	+5V

UART2 wafer		Add-on module
N.C	1	N.C
TXD	2	RXD
RXD	3	TXD
CTS	4	RTS
GND	5	GND
RTS	6	CTS
N.C	7	N.C
RTS	8	CTS
N.C	9	N.C
+5V	10	+5V
GND	11	GND
+5V	12	+5V

## FILE MANIPULATION WHEN USING USB STICK

### File Manipulation

The files in both devices (USB memory stick and printer internal Flash memory) are able to copy and move by the commands “~MCPY” and “MMOV” that sends from GoLabel on a PC via either connection - USB or Ethernet ports.

#### • Copy

<b>Syntax</b>	~MCPY,s:o,x,d:o,x
<b>Description</b>	Copy file from USB memory stick to Flash memory, or vise-versa
<b>Parameter</b>	s = source device of stored object; · “D” for USB memory stick; “F” for internal Flash memory d = destination device of stored object · “D” for USB memory stick; “F” for internal Flash memory o = object name (file name); the name “o” is substituted for “*” x = extension (file type), the type “x” is substituted by “*”, or following either one: D= database, A= Asia font, C= TTF font, E= Bit-Mapped font, F= label format, G= graphic, S= serial file, T= text, B= Unicode Table.
<b>Example</b>	~MCPY,F:*.F,D:*.F (Copy entire “Label Format” files from Flash memory to USB memory stick)  ~MCPY,D:*.G,F:*.G (Copy entire “Graphic” files from USB memory stick to Flash Memory)  ~MCPY,D:*.F,*.F (Copy all object files from USB memory stick to Flash Memory)

#### • Move

<b>Syntax</b>	~MMOV,s:o,x,d:o,x
<b>Description</b>	Move files from USB memory stick to Flash memory or vise-versa
<b>Parameter</b>	s = source device of stored object; · “D” for USB memory stick; “F” for internal Flash memory d = destination device of stored object · “D” for USB memory stick; “F” for internal Flash memory o = object name (file name); the name “o” is substituted for “*” x = extension (file type), the type “x” is substituted by “*”, or following either one: D= database, A= Asia font, C= TTF font, E= Bit-Mapped font, F= label format, G= graphic, S= serial file, T= text, B= Unicode Table.
<b>Example</b>	~MMOV,F:*.F,D:*.F (Move entire “Label Format” files from Flash memory to USB memory stick)  ~MMOV,D:*.G,F:*.G (Move entire “Graphic” files from USB memory stick to Flash Memory)  ~MMOV,D:*.F,*.F (Move all object files from USB memory stick to Flash Memory)