

User Manual

GoDEX

RT700i+ Series

Thermal Label Printer



User Manual : RT700i+ Series
Version : Rev A.1
Issue Date : 2023.08.30
P/N : 920-017711-01

CONTENTS

1 Barcode Printer	5
1.1 Box Content	5
1.2 Getting to Know Your Printer	6
2 Printer Setup	10
2.1 Open the Printer	10
2.2 Loading the Ribbon	11
2.3 Loading the Label Roll Module	16
2.4 Connecting the Printer to the Host Computer	18
2.5 Installing Printer Driver and GoLabel with Super Wizard CD	20
3 Setting and Control for Operation Panel	25
3.1 Operation Panel	25
3.2 LCD Interface Introduction	26
3.3 LAN Setting	30
3.4 LCD Password	32
3.5 LCD Interface Function	34
3.6 Label Calibration and Self Test	39
3.7 Error Alerts	41
3.8 USB Host	43
3.9 Dump Mode Begin	45
4 NetSetting for Ethernet	46
4.1 Installing the NetSetting software	46
4.2 The Interface of NetSetting	47
5 Accessories	54
5.1 Preparation Steps	54
5.2 Installing the Label Dispenser	56
5.3 Installing the Cutter	62
5.4 Cleaning Method	66
6 Maintenance and Adjustment	67
6.1 Cleaning the Print Head	67
6.2 Troubleshooting	68
APPENDIX	69
PRODUCT SPECIFICATIONS	69
INTERFACE	71
FILE MANIPULATION WHEN USING USB STICK	72
BT Module	73
WiFi Printer Server Module Installation - Only for RT700i+W Series	80
WiFi Module Installation - Only for RT700i+W Series	81
RTL8711AM	
WiFi Printer Server Module Installation	82
Wi-Fi Printer Server Module Installation – (Quick Setting)	83

FCC COMPLIANCE STATEMENT

FOR AMERICAN USERS

This equipment has been tested and found to comply with the limits for a Class B digital device, pursuant to Part 15 of the FCC Rules. These limits are designed to provide reasonable protection against harmful interference in a residential installation. This equipment generates, uses, and can radiate radio frequency energy and, if not installed and used in accordance with the instructions, may cause harmful interference to radio communications.

TO WHICH THIS DECLARATION RELATES

IS IN CONFORMITY WITH THE FOLLOWING STANDARDS

IEC 62368-1:2018

EN 55032:2015/A1:2020, Class B

EN 55035:2017/A11:2020

EN IEC 61000-3-2:2019/A1:2021

EN 61000-3-3:2013/A2:2021

CISPR 32: Ed. 2.1

CISPR 35: Ed. 1.0

AS/NZS CISPR 32:2015 AMD 1:2020

FCC CFR Title 47 Part 15 Subpart B:2021, Class B

ICES-003 Issue 7:2020, Class B

UL62368-1, 3rd Ed.

CSA C22.2 No. 62368-1:19, 3rd Ed.

SAFETY INSTRUCTIONS

Please read the following instructions carefully.

1. Keep the equipment away from humidity.
2. Before you connect the equipment to the power outlet, please check the voltage of the power source.
3. Make sure the printer is off before plugging the power connector into the power jack.
4. It is recommended that you connect the printer to a surge protector to prevent possible transient overvoltage damage.
5. Be careful not to get liquid on the equipment to avoid electrical shock.
6. For safety and warranty reasons, **ONLY** qualified service personnel should open the equipment.
7. Do not repair or adjust energized equipment under any circumstances.

*This device is not suitable for the areas where children may appear



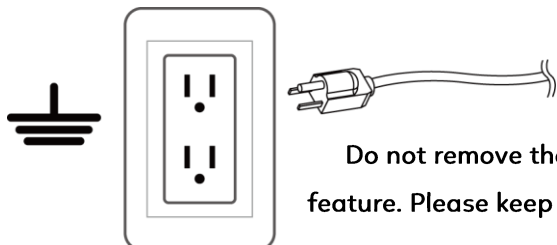
Hot parts!

Burned fingers when handling the parts

Wait one-half hour after switching off before handling parts.



The blade is sharp, please do not touch.



Do not remove the ground pin of power cord. Grounding is an important safety feature. Please keep the power cord grounded all the time

Caution

- * Danger of explosion if battery is incorrectly replaced. Replace only with the equivalent type recommended by the manufacturer.
- * Dispose of used batteries according to the manufacturer's instructions.
- * Only use with designated power supply adapter model.
- * Changes or modifications not expressly approved by the party responsible for compliance could void the user's authority to operate the equipment.

Specifications are subject to change without notice.

1 Barcode Printer

1.1 Box Content

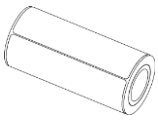
Please check that all of the following items are included with your printer.

※Package content and Logo style may vary per region.

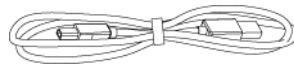
- RT700i+ Series Barcode Printer



- Label Stock



- USB Cable



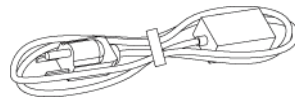
- RT700i+ Series Quick Guide



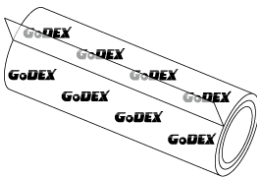
- Ribbon Module
Empty Ribbon Core



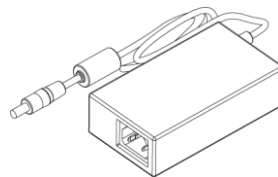
- Power Adapter
Power Cord



Ribbon

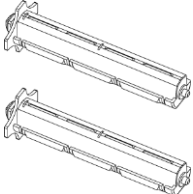


AC Adapter



Ribbon Hubs

Set of 2.

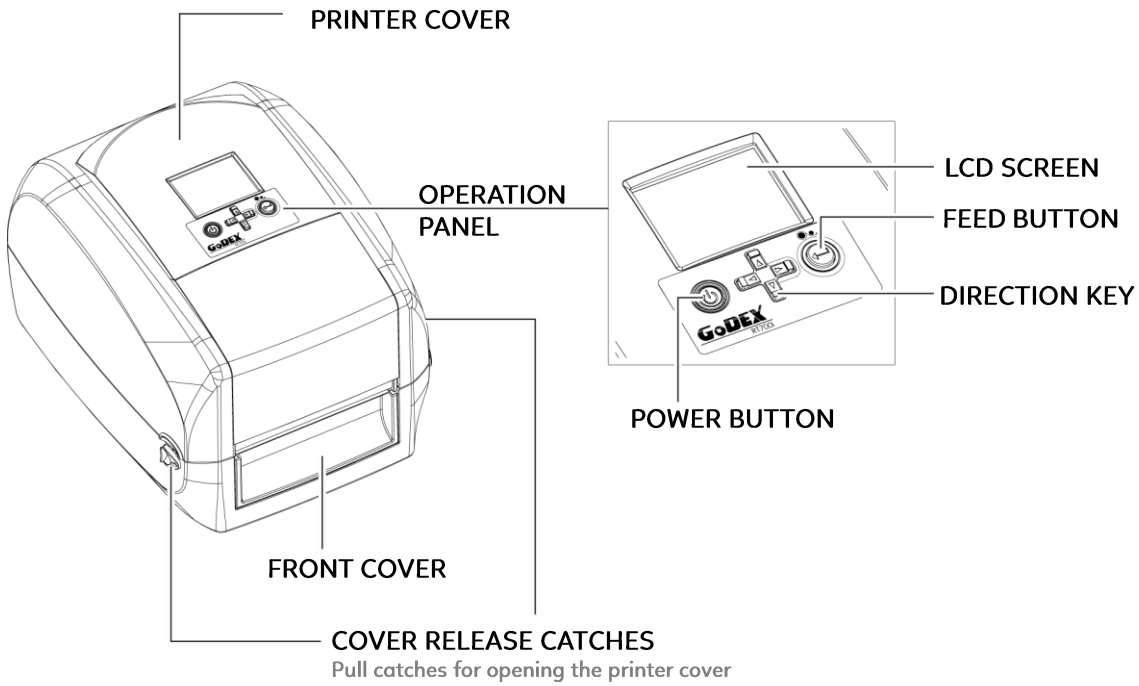


1 Barcode Printer

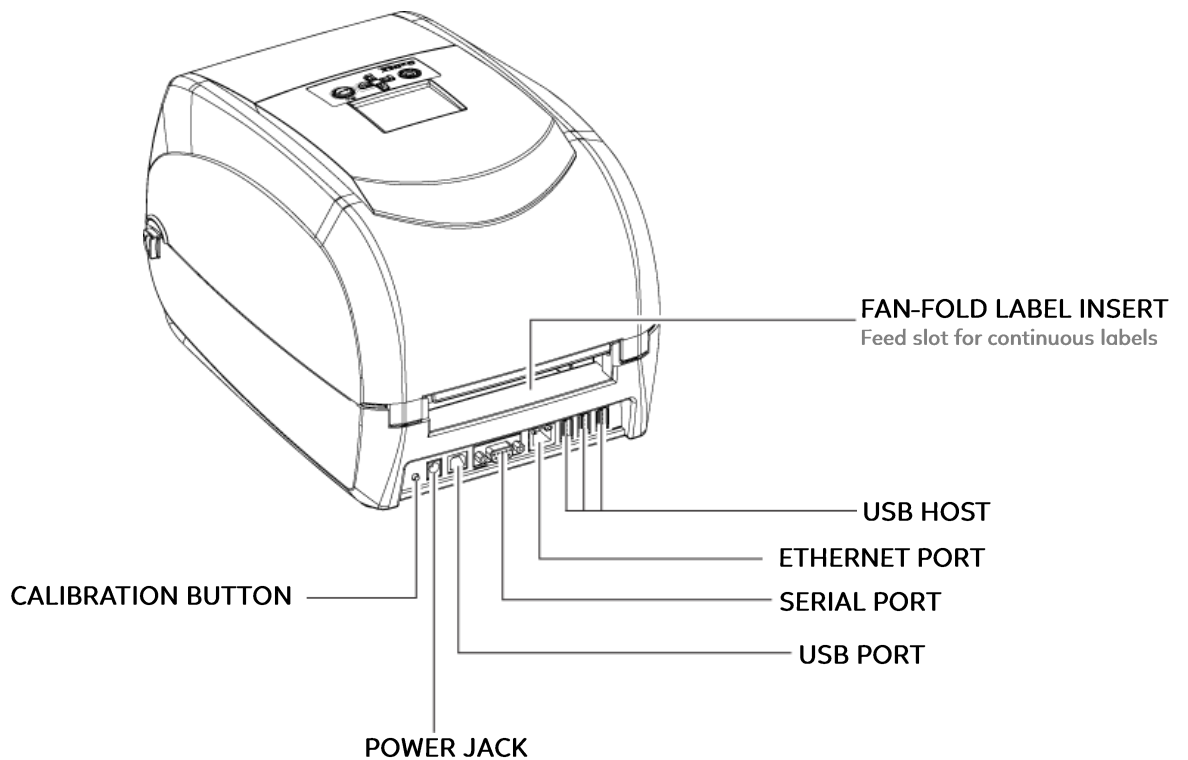
1.2 Getting to Know Your Printer

Device Overview

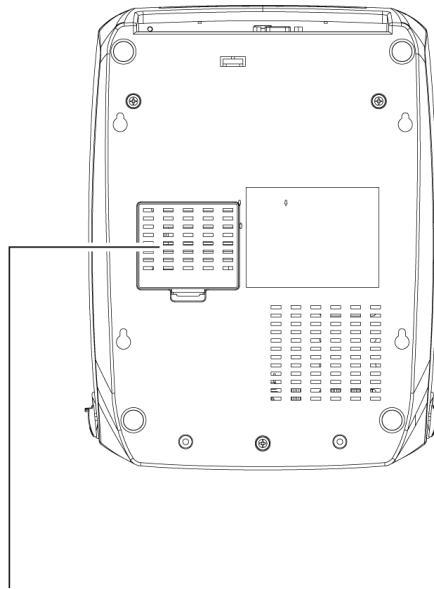
• Front View



• Rear View



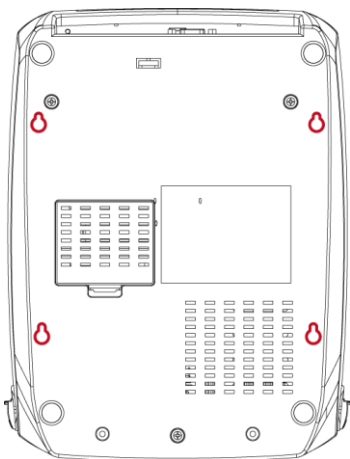
• Bottom View



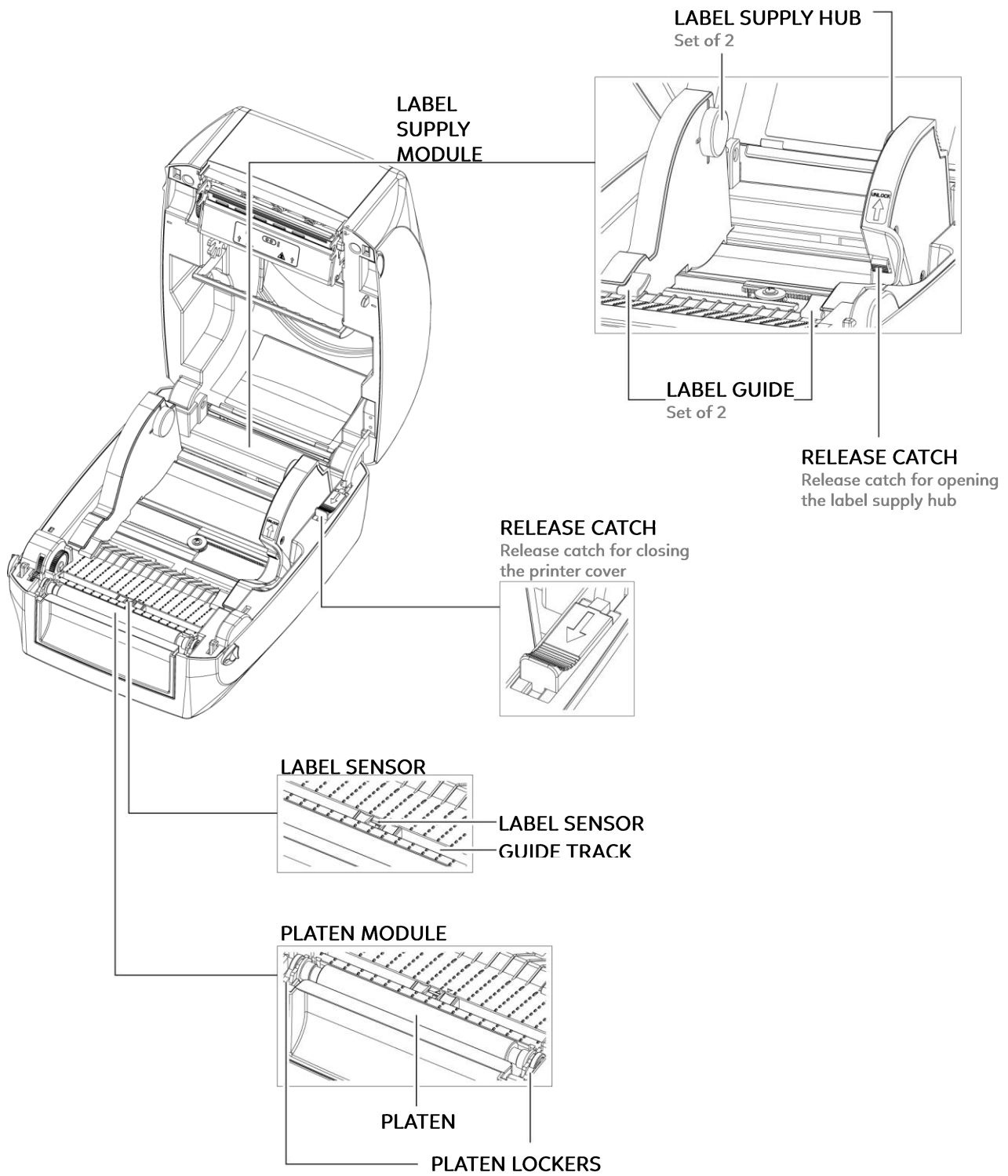
COVER OF THE MODULE CONNECTION JACKS

Notice

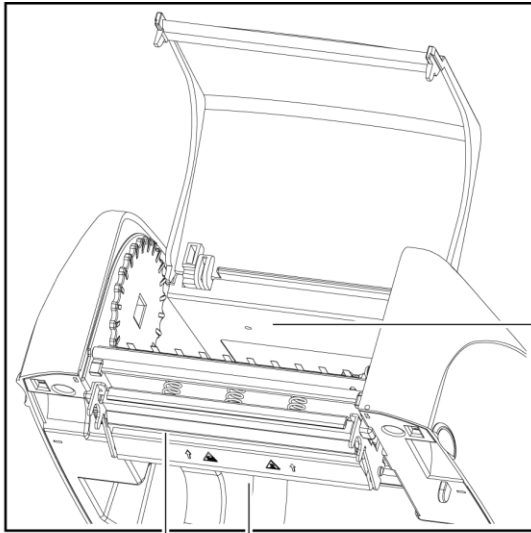
* Cut-outs are not intended for wall-mount use.



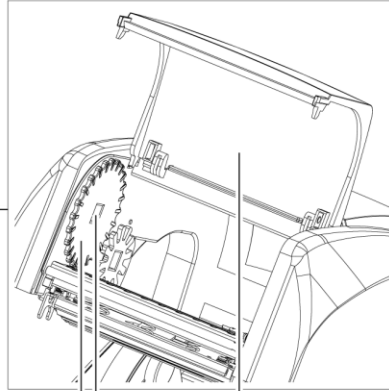
• The Internal View of Printer



• The Printing Mechanism



RIBBON REWIND MECHANISM

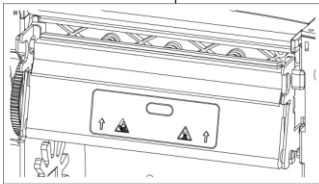


RIBBON WINDOW COVER

NOTCH OF RIBBON REWIND WHEEL

RIBBON REWIND WHEEL

PRINT HEAD



RIBBON SUPPLY MECHANISM



PAPER PRESS BAR

NOTCH OF RIBBON SUPPLY WHEEL

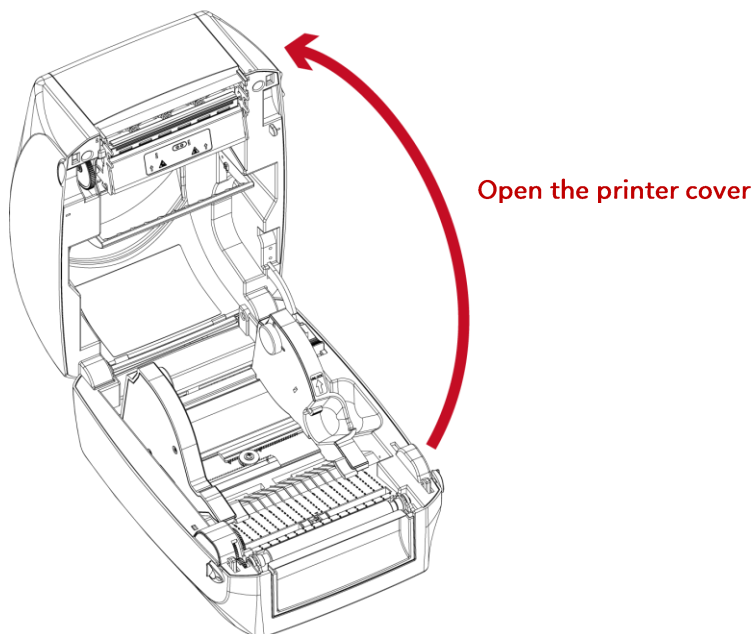
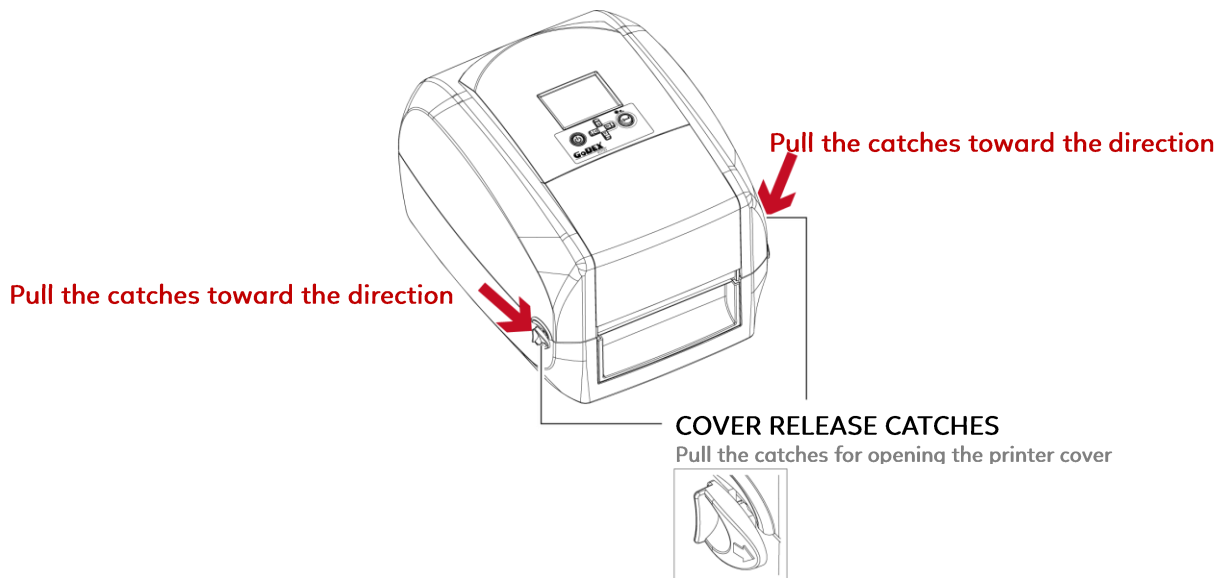
RIBBON SUPPLY WHEEL

2 Printer Setup

2.1 Open the Printer

Open the Printer Cover

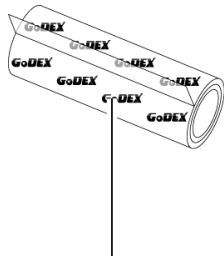
Place the printer on a flat surface. Open the printer cover by pulling the cover release catches on both sides of the printer and lift the printer cover.



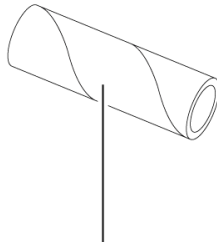
2 Printer Setup

2.2 Loading the Ribbon

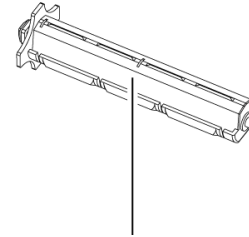
A New Ribbon Module Installation



A NEW RIBBON

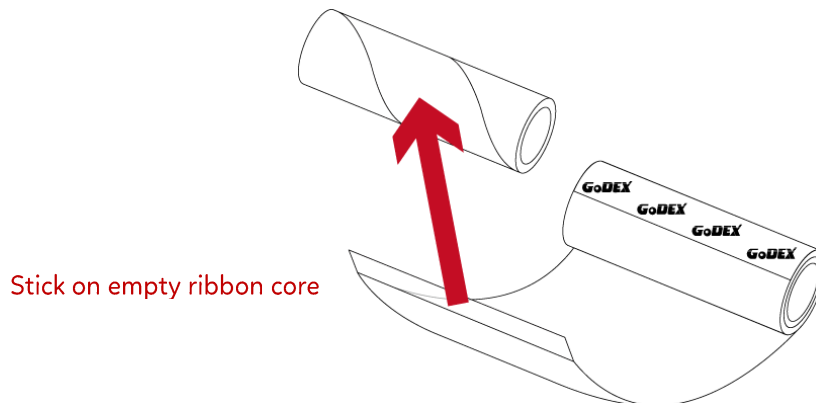


EMPTY RIBBON CORE

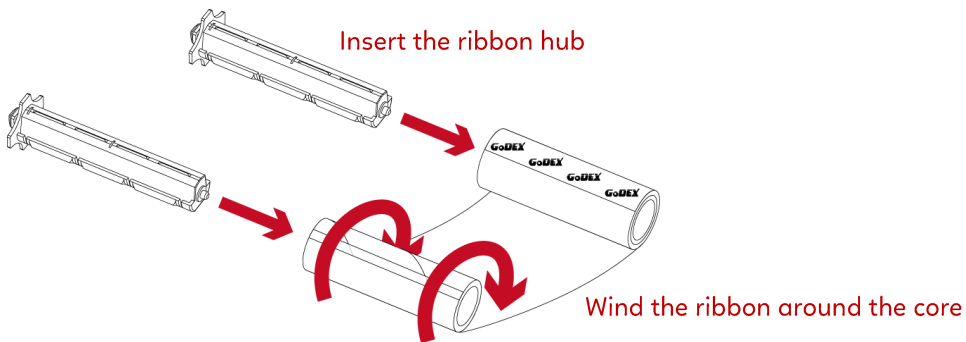


RIBBON HUB

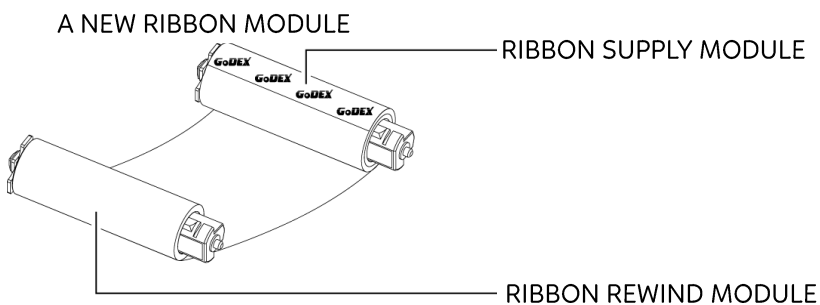
1. Attach the ribbon to the empty ribbon core with the adhesive strip at the end of the ribbon.



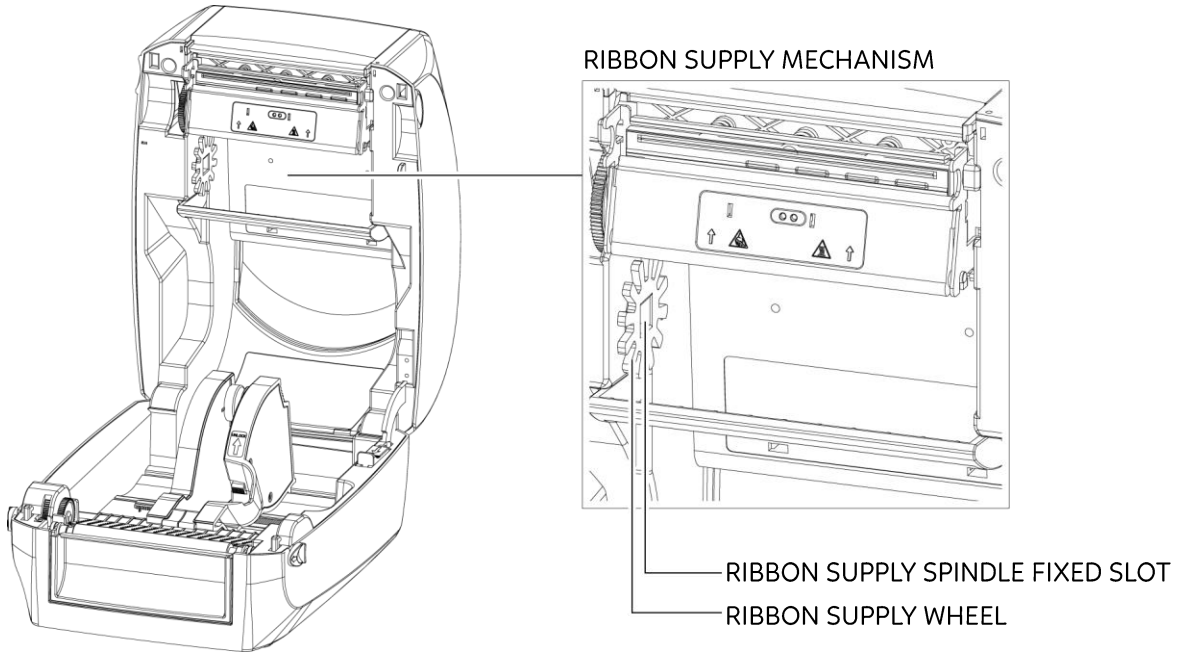
2. Insert the ribbon hub into empty ribbon core and new ribbon. Wind the ribbon around the empty ribbon core for 2 to 3 circles.



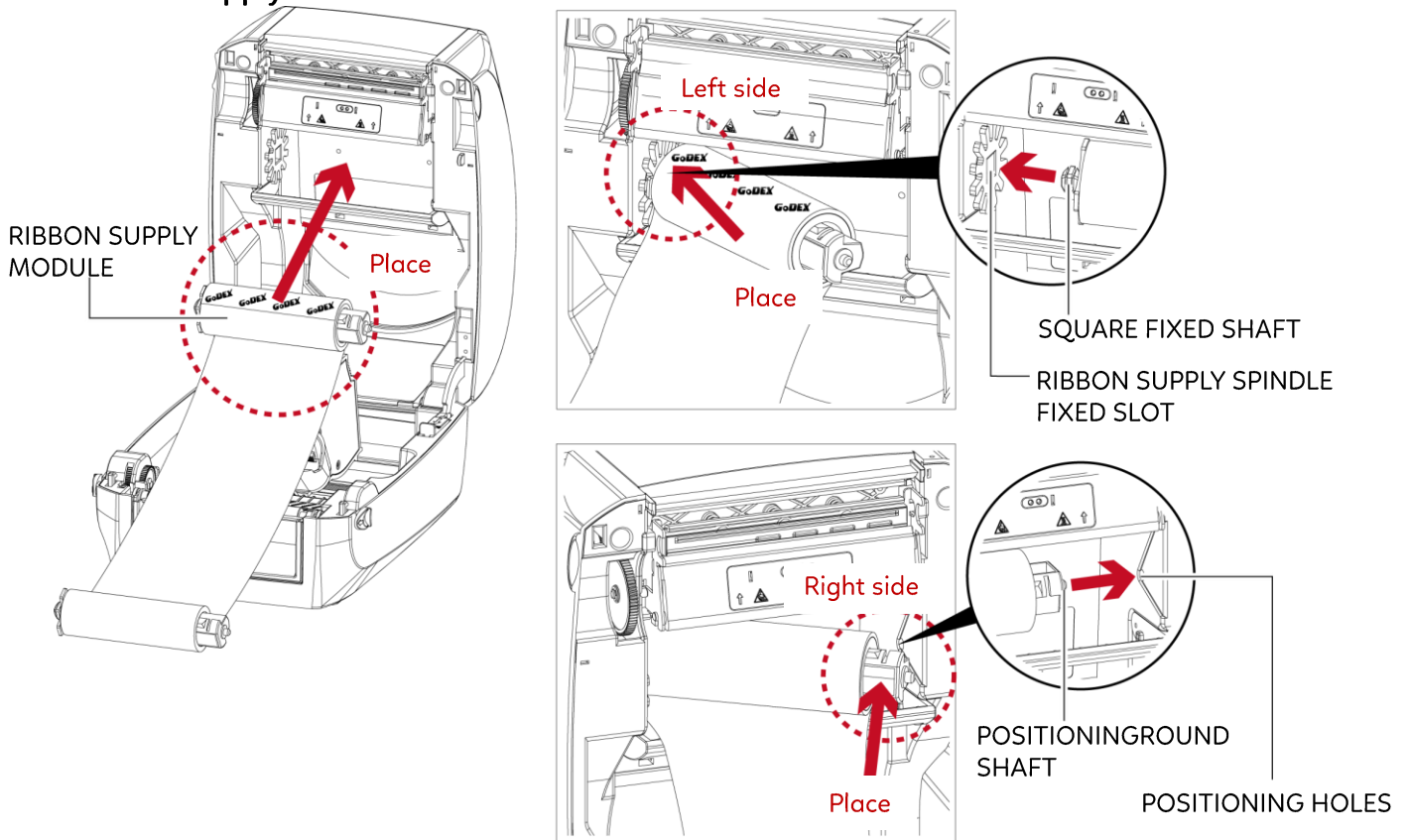
3. A ribbon module is assembled as below.



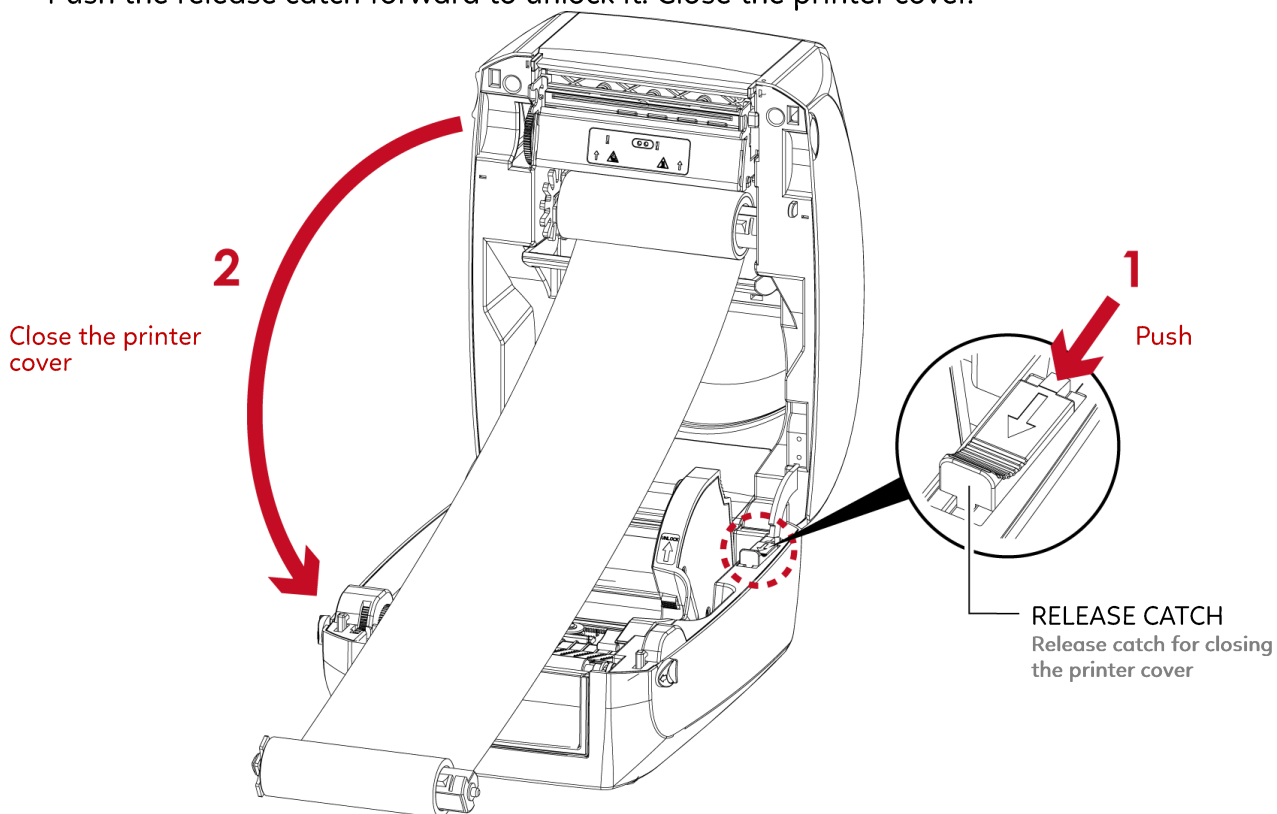
**Load the Ribbon on the Printer
- For Ribbon Supply Module**



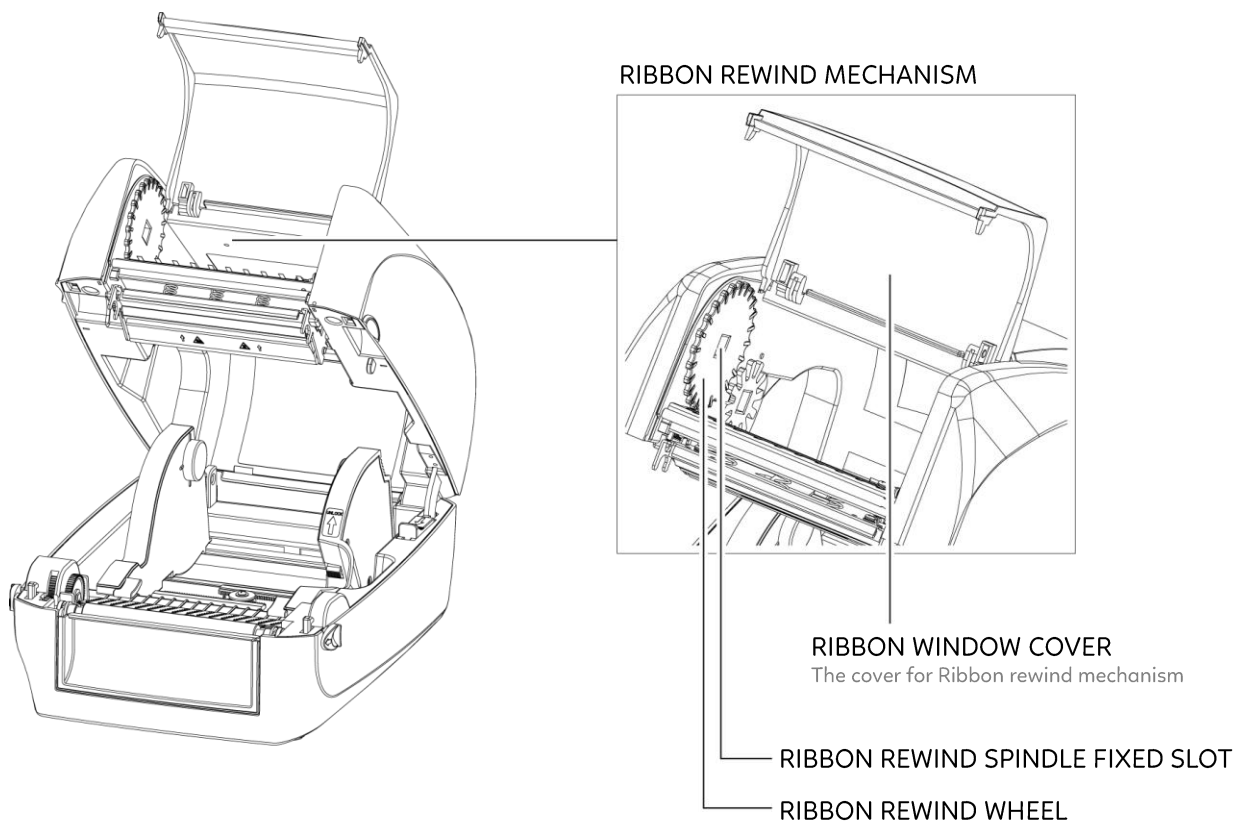
1. Place the ribbon module into the printing mechanism. Please the left-hand side of ribbon supply spindle fixed slot first. Make sure the holder of square fixed shaft is inserted into the notch. Then place the right-hand side of ribbon positioning round shaft. Can be fixed ribbon supply module.



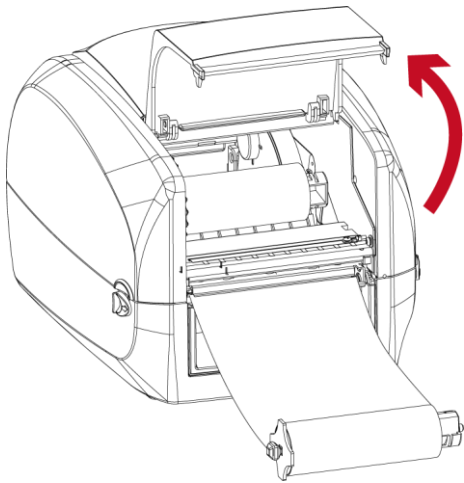
2. The ribbon supply module loading is completed. Pull the ribbon.
Push the release catch forward to unlock it. Close the printer cover.



For Ribbon Rewind Module



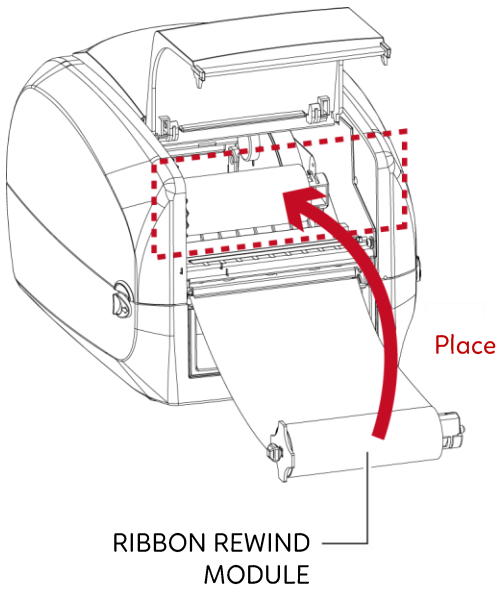
1. Open the cover of ribbon window.



Open the cover of ribbon window

2. Please the left-hand side of ribbon rewind spindle fixed slot first.

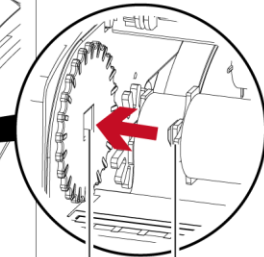
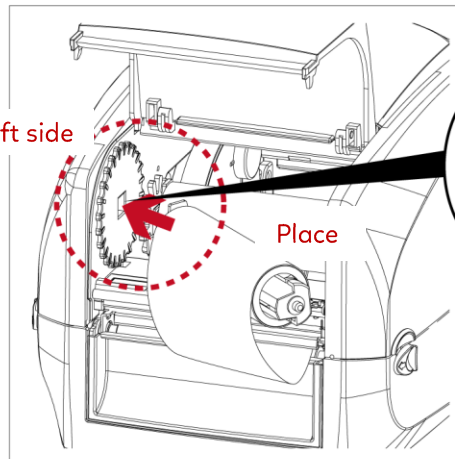
Make sure the holder of square fixed shaft is inserted into the notch. Then place the right-hand side of ribbon positioning round shaft. Can be fixed ribbon rewind module.



Left side

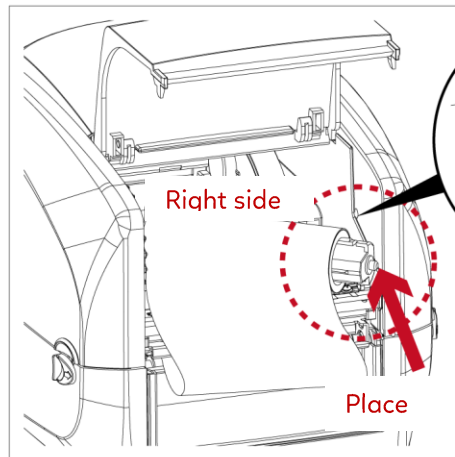
Place

Place



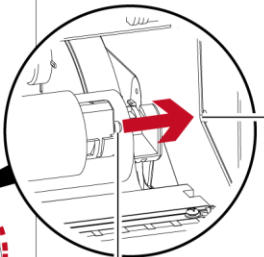
SQUARE FIXED SHAFT

RIBBON REWIND
SPINDLE FIXED SLOT



Right side

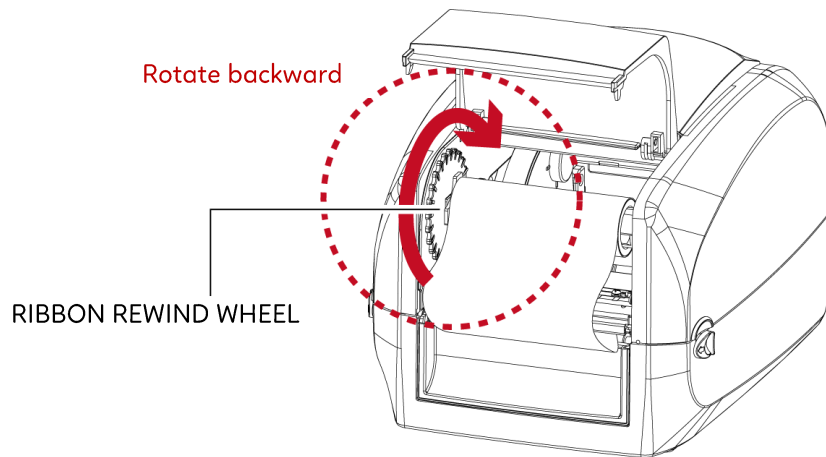
Place



POSITIONING ROUND
SHAFT

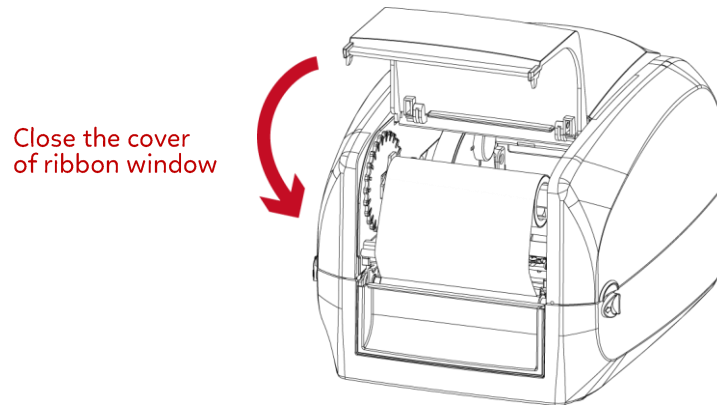
POSITIONING HOLES

3. Turn the ribbon rewind wheel to tighten the ribbon until it has no wrinkles.



4. Close the cover of ribbon window.

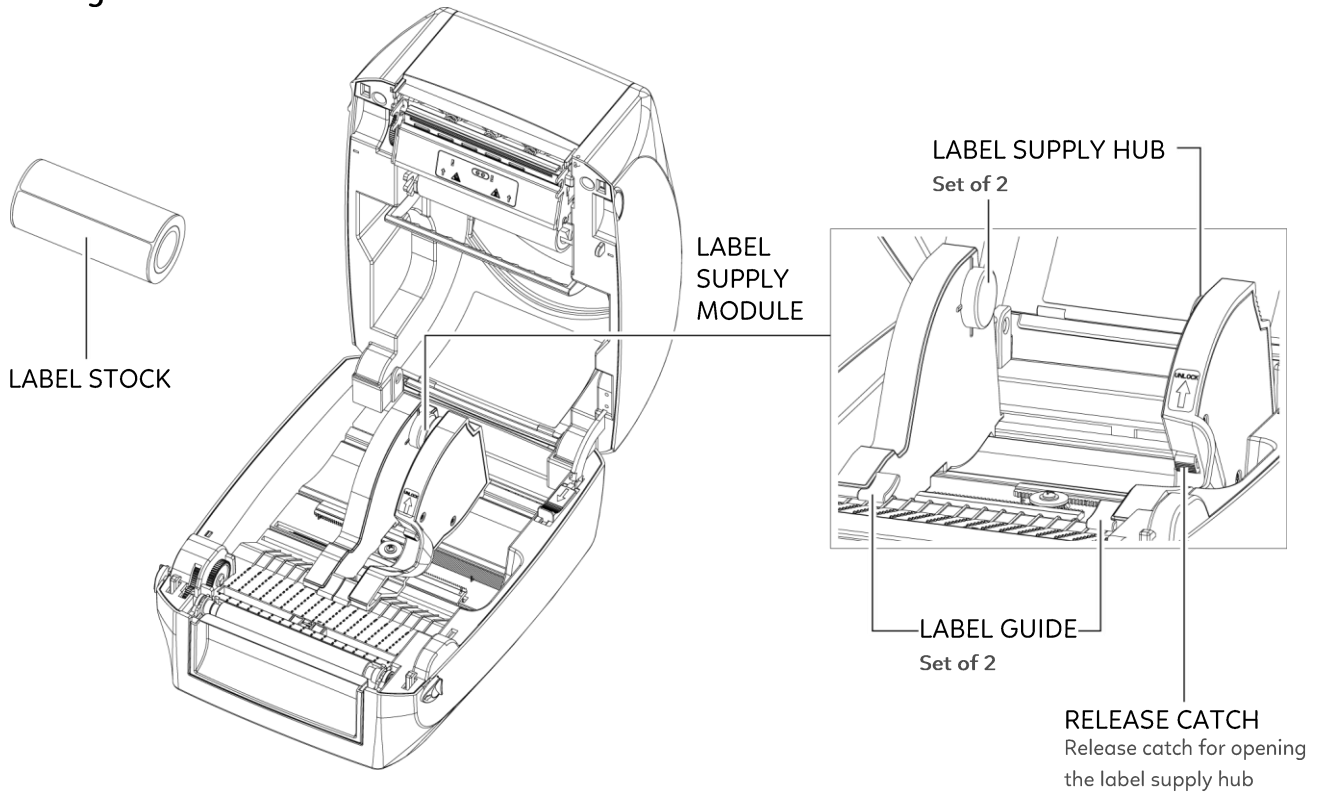
The ribbon loading is completed once the ribbon supply module and ribbon rewind module are assembled correctly.



2 Printer Setup

2.3 Loading the Label Roll Module

Loading the Label Stock on the Printer

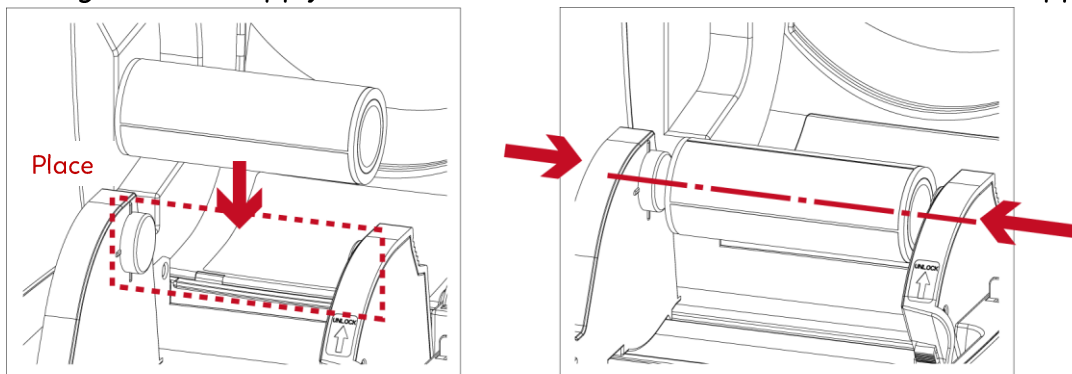


1. Press the ribbon catch and pull to open the label supply hub.

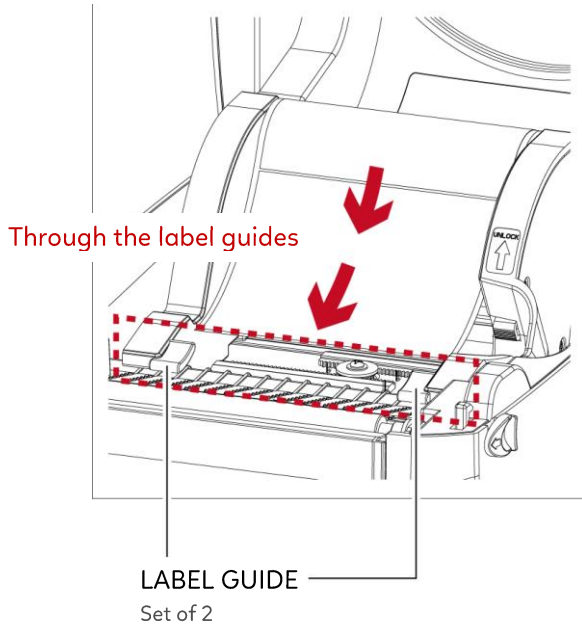


2. The label roll into the label supply module and align the label supply hub.

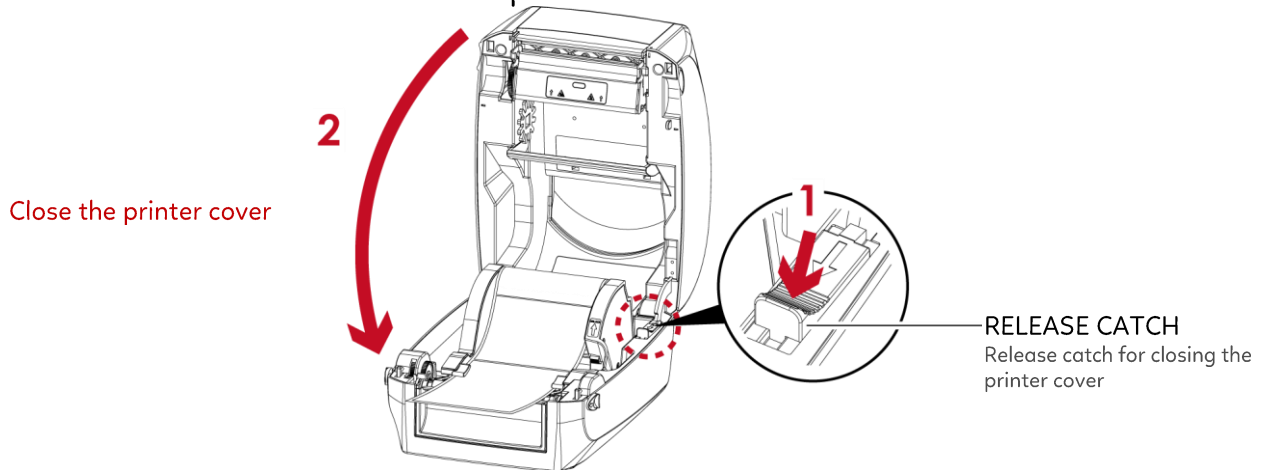
Moving the label supply hub. The label roll is indeed installed in the label supply hub.



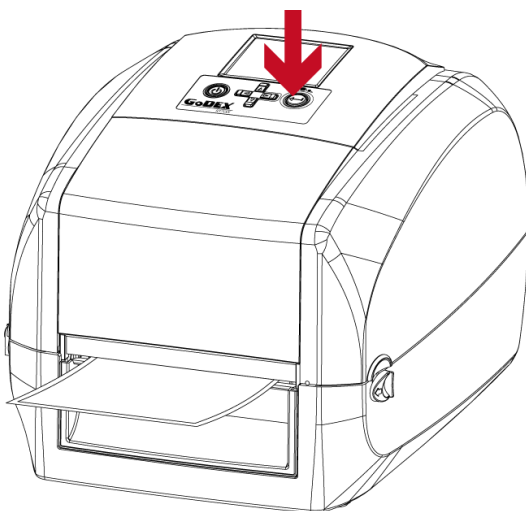
3. Feed the Label through the label guides. The label guides will help to prevent the label swaying. (Press release catch removable label guide.)



4. Unlock the release catch to close the printer cover.



5. Press the FEED key and make sure the label is fed smoothly. The label loading is completed now.



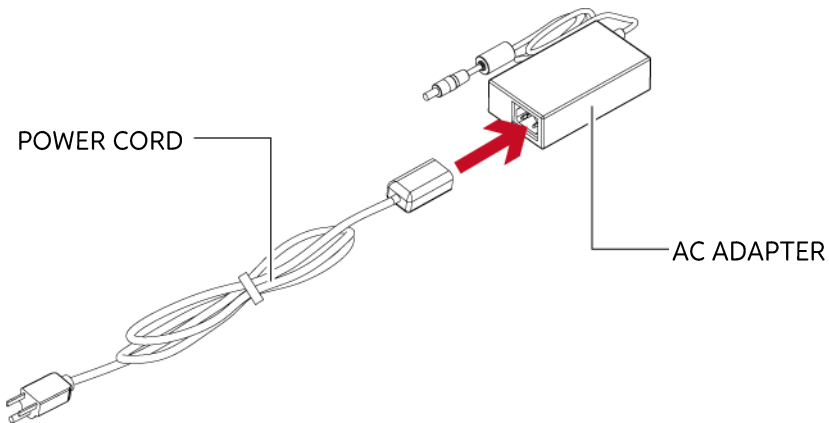
Notice

* Please keeps the rack gear clean to ensure the smoothness of paper roll supply module.

2 Printer Setup

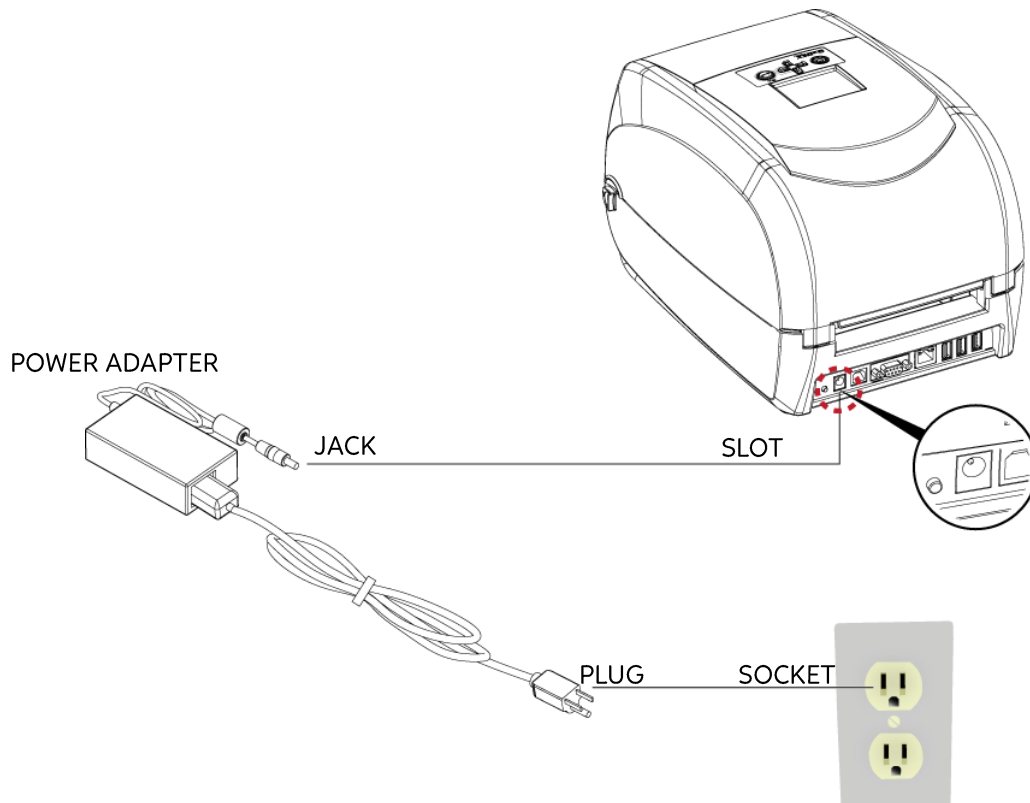
2.4 Connecting the Printer to the Host Computer

1. Please make sure that the printer is switched off.
2. Connect the power cord to the AC adapter.

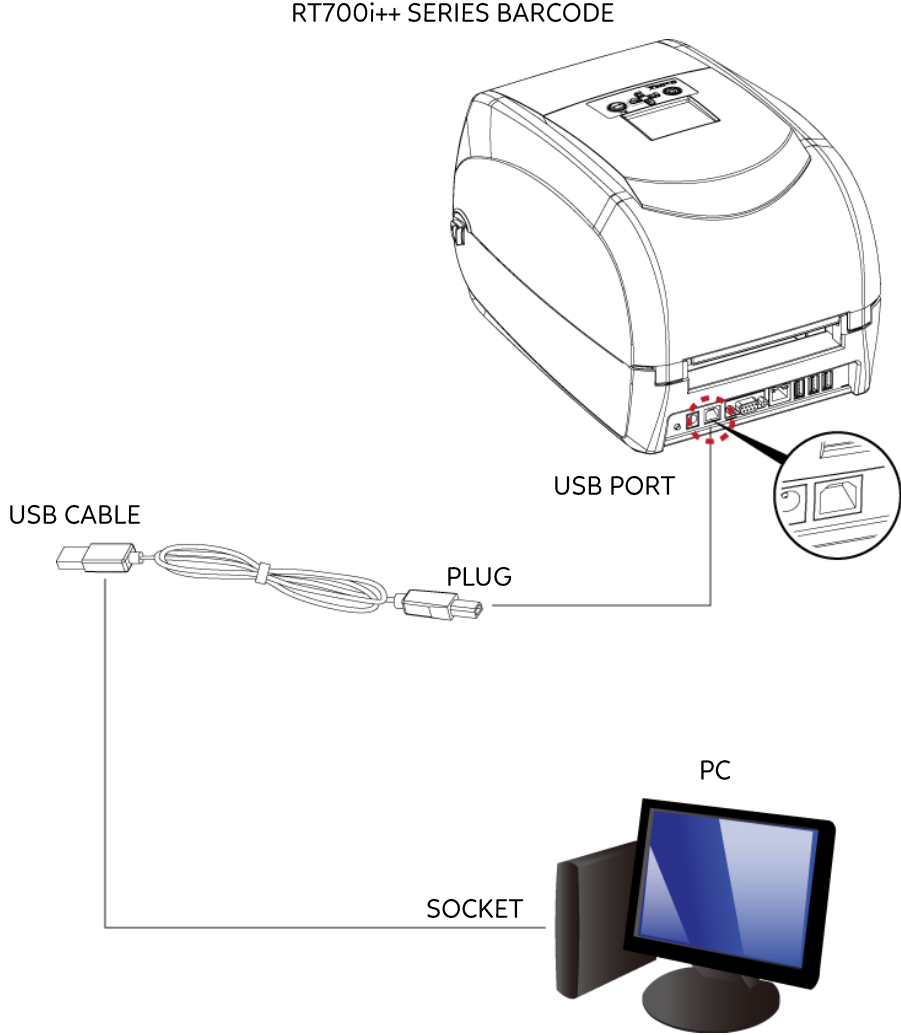


Connect the jack of the power adapter to the printer and connect the plug of the power adapter to the socket of the wall.

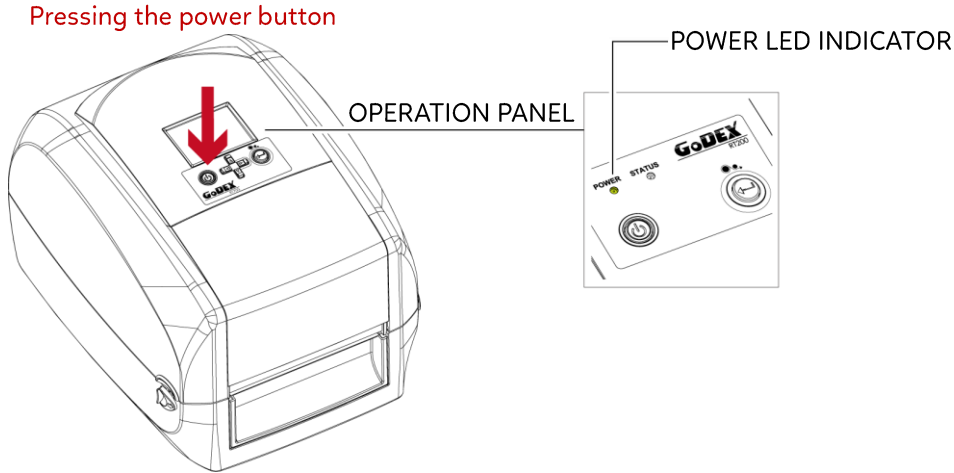
RT700i+ SERIES BARCODE PRINTER



3. Connect the USB/serial cable to the printer and host computer.



4. Pressing the power button. The power LED indicator should now lights up.



2 Printer Setup

2.5 Installing Printer Driver and GoLabel with Super Wizard CD

1. Insert the Super Wizard CD in the CD/DVD drive of the host computer and the program should pop up automatically.

You will see the Welcome screen first. On the Welcome screen, choose “Standard Installation”.



2. The wizard will then ask you to make sure your USB and power cables are connected and that the power is turned on. Make sure that is done and then click “Next”.



3. The next screen you will see is, “Install the GoLabel Software and Windows driver”. Click “Next” to continue.



Notice

* If the Super Wizard program did not run automatically, you can either turn on the “Auto-run” setting for your CD/DVD driver or double-click the icon of CD/DVD driver to run the program.

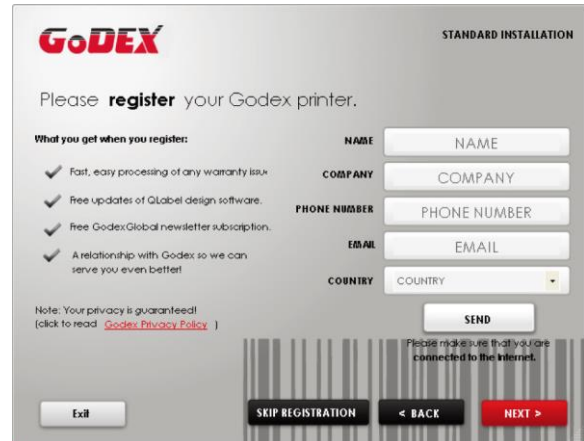
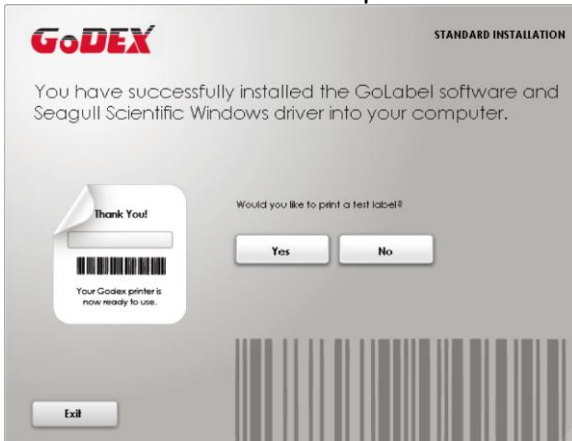
4. As the printer driver and GoLabel are installing, a screen will display a progress bar.



5. Once the installation is complete, you can start to make and print labels with GoLabel or through the printer driver.



6. As the optional steps, you can also print a test label or register your printer during the "Standard Installation" procedure.



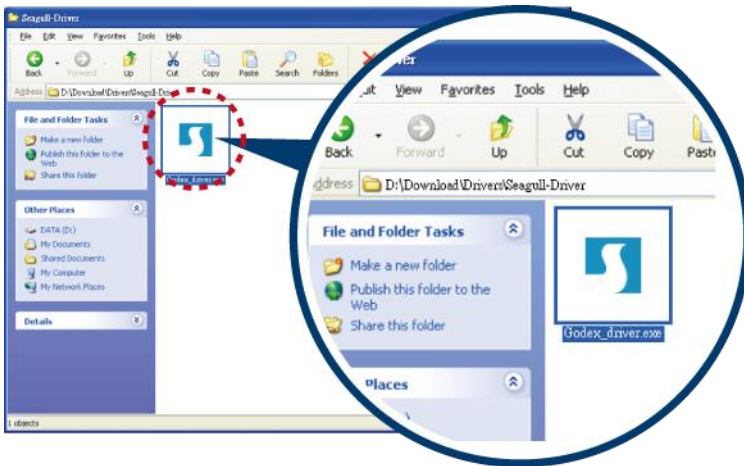
Notice

* If you need more resources, tools or reference documents, you can also find them on Super Wizard CD. Just click "Other Choices" on Welcome Screen to access the files.

Installing Printer Driver Directly from CD Folder

1. Insert the product CD in the CD/DVD drive of the host computer and open the "Seagull Drivers" folder on the CD.

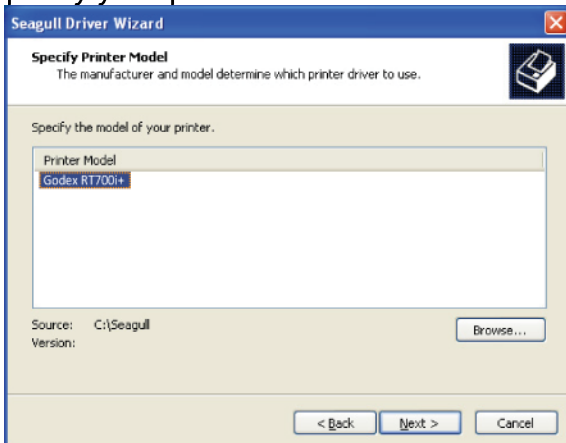
Select the icon for the driver file and click it to start the installation.



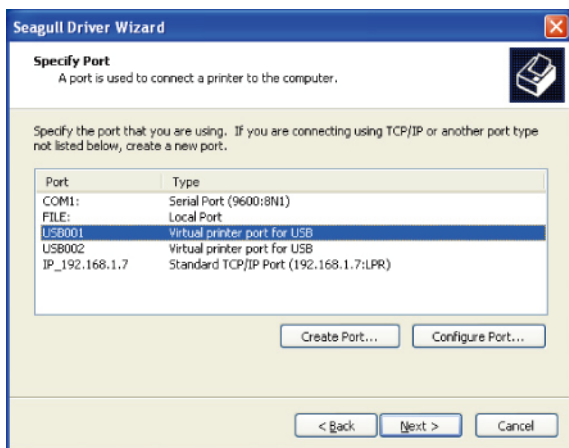
2. Follow the instructions on the screen. The Driver Wizard guides you through the installation procedure. Select "Install printer drivers".



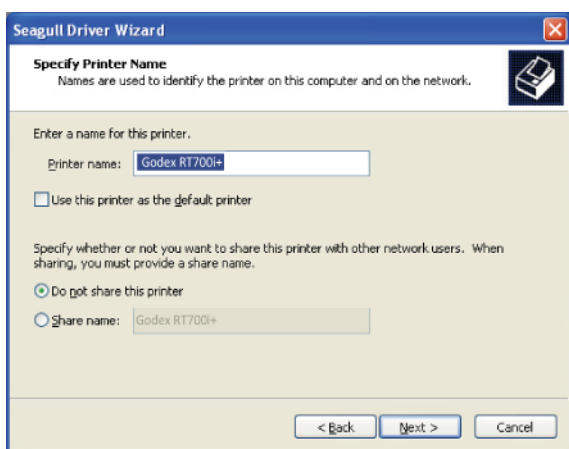
3. Specify your printer model.



4. Specify the port used to connect the printer to the host computer.



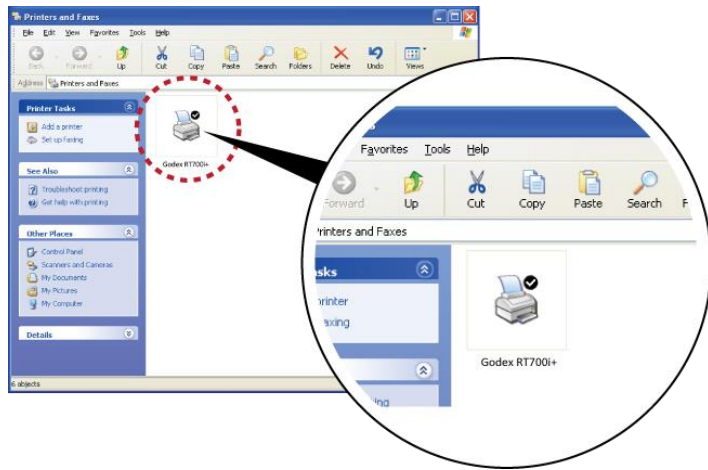
5. Enter a printer name and assign the appropriate rights.



6. Once the installation is complete, a summary of the printer settings is displayed. Check whether the printer settings are correct and click "Finish" to start copying the driver files. Wait until copying is complete, then finish the installation.

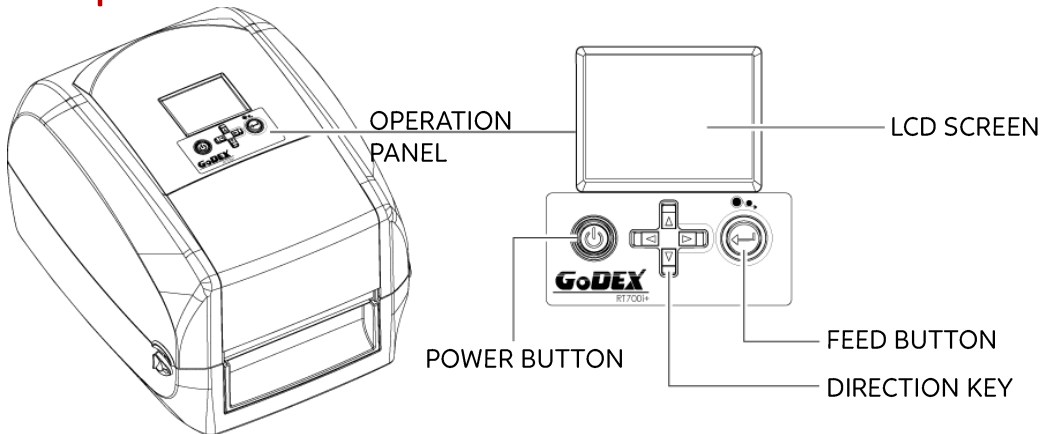


7. Once the driver installation is complete, the new printer should appear in the "Printers and Faxes" folder.



3 Setting and Control for Operation Panel

3.1 Operation Panel



POWER Button

Press the POWER button to turn on the printer, and the START UP SCREEN appears. The printer is on “ready to print” status, the LCD screen should display the message “READY” on the screen. When printer is turned on, keep pressing the POWER button for 3 second will turn the printer off.

FEED Button

When you press the FEED button, the printer moves the label to the defined stop position.

If you are using continuous labels, pressing the FEED button will move label stock until you release the button again.

If you are using individual labels, pressing the FEED button will move only one label.

If the label does not stop at the correct position, you need to run the auto-detection function on the label stock, please see Section 3.4 Label Calibration and Self Test.

PAUSE PRINTING_FEED Button

Pressing the FEED button during printing will interrupt printing, and the LCD display message “PAUSE...”.

When the FEED button is pressed again, the printer resumes printing. Example: While a 10-label print job is running, you press the FEED button to pause the printer. Two of the labels have been printed. To resume printing and print the remaining eight labels, you will need to press the FEED button again.

CANCEL PRINTING_FEED Button

Press and hold the FEED button for 3 seconds during printing, the current print job will be cancelled.

Example: While a 10-label print job is running, you press the FEED button. Two of the labels have been printed. The print job is cancelled and the remaining eight labels will not be printed.

3 Setting and Control for Operation Panel

3.2 LCD Interface Introduction

Getting Started

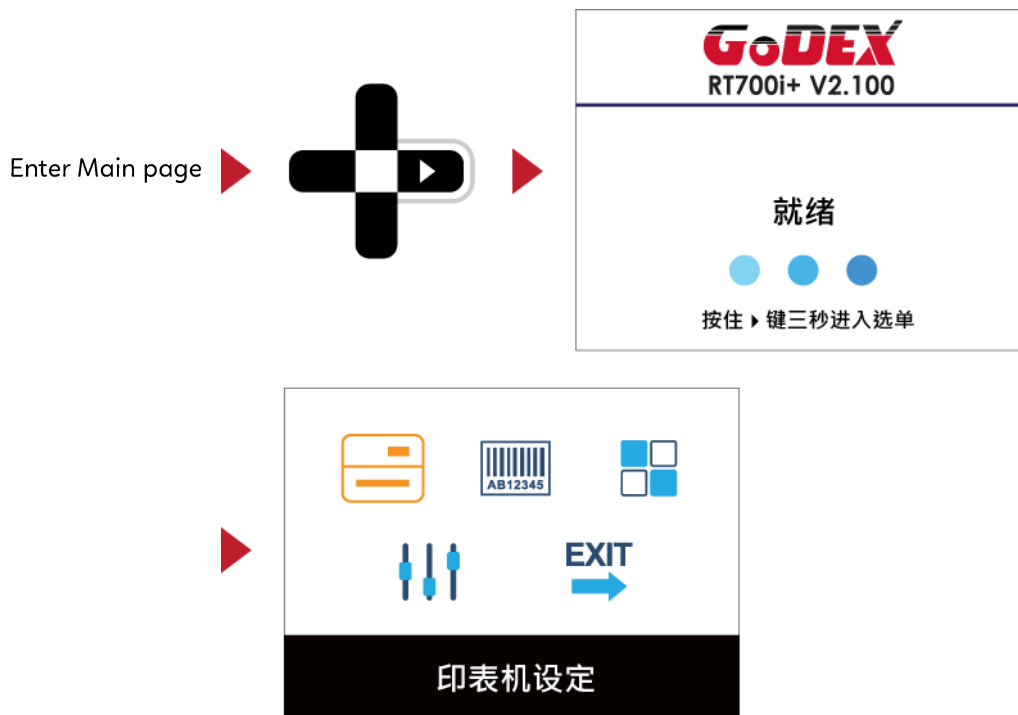
Press the POWER button to turn on the printer, and the START UP SCREEN appears.



If the printer is on “ready to print” status, the LCD screen should display the message “Ready” on the screen.



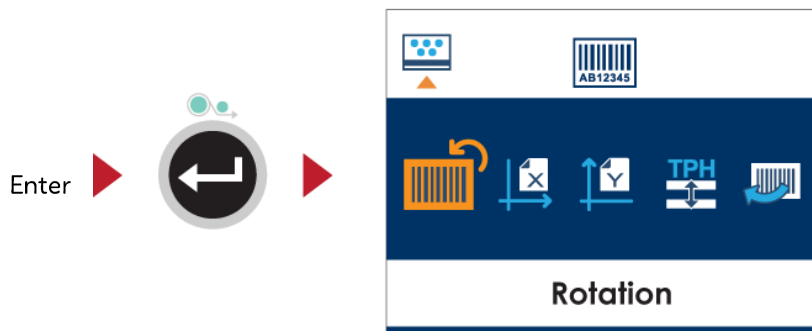
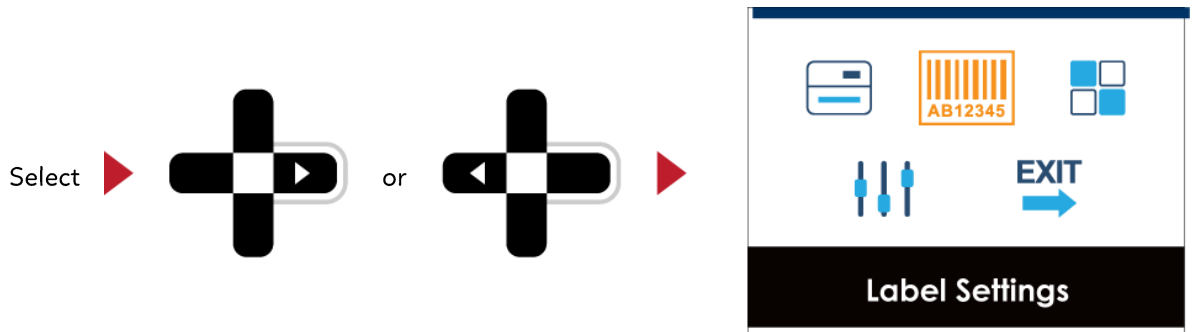
Please keep pressing ▶ button and wait for the timer to be filled, then the LCD interface will enter into the MAIN PAGE for SETTING MODE. You can make various setting functions in SETTING MODE.



Operations on Setting Page

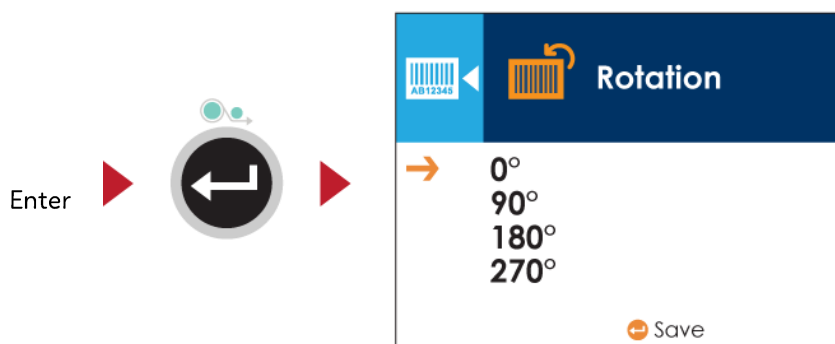
On MAIN PAGE, press **▶** or **◀** button to move the cursor and select the functions.

Select a designated function and press FEED button, you will enter the SETTING PAGES for the function.

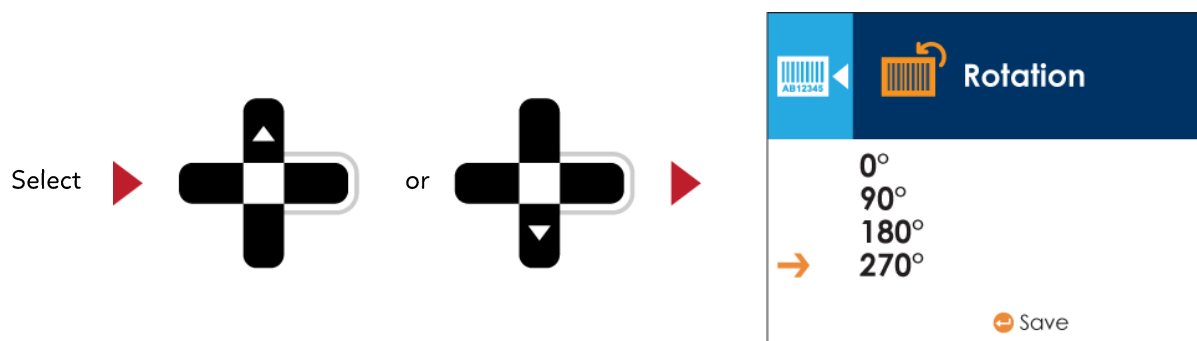


On SETTING PAGES, press **▶** or **◀** button to select the setting items.

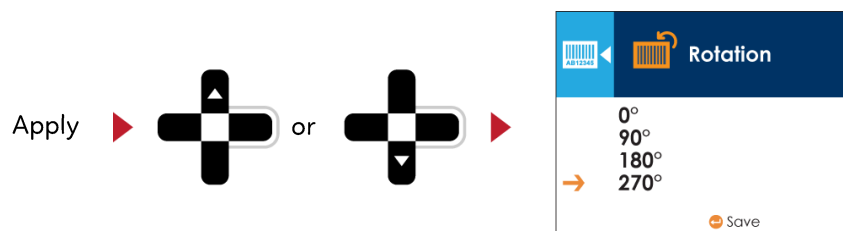
Select a designated function and press FEED button, you will enter the SETTING VALUE PAGES for the function.



On SETTING VALUE PAGES, press ▲ or ▼ button to change the setting values.



Press FEED button will apply the setting value you just selected, and the red tick will appear to mark the value.



Notice

* The arrow indicates the value you are selected.

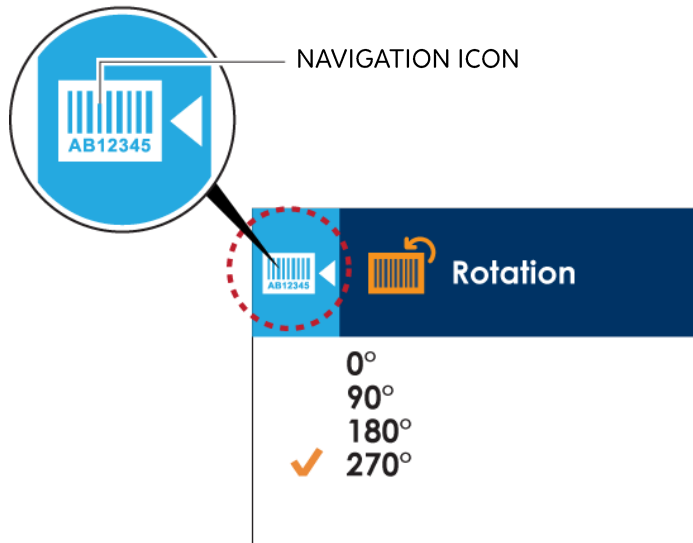


* The tick indicates that the selected value is applied now.

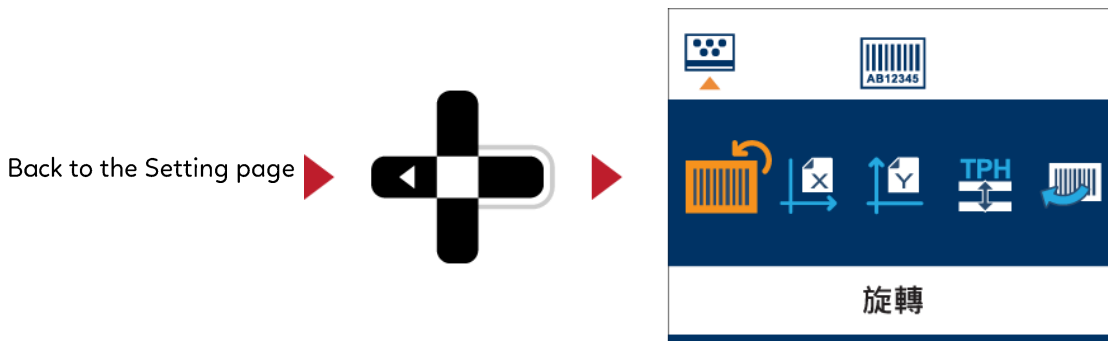


Exit from Current Page to Ready Status

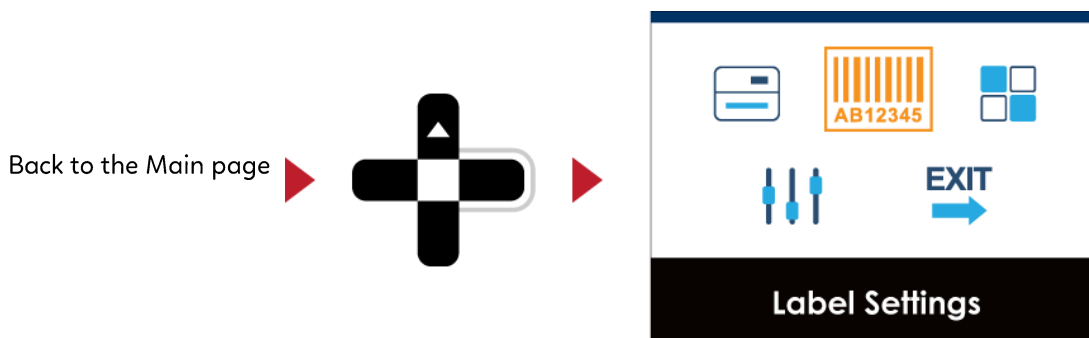
The icon on top-left corner displays the capture of upper level screen and also guides you back to upper level with left or up arrow.



On SETTING VALUE PAGES, press ◀ button will go back to the upper level screen.



On SETTING PAGES, press ▲ button will go back to the MAIN PAGE screen.



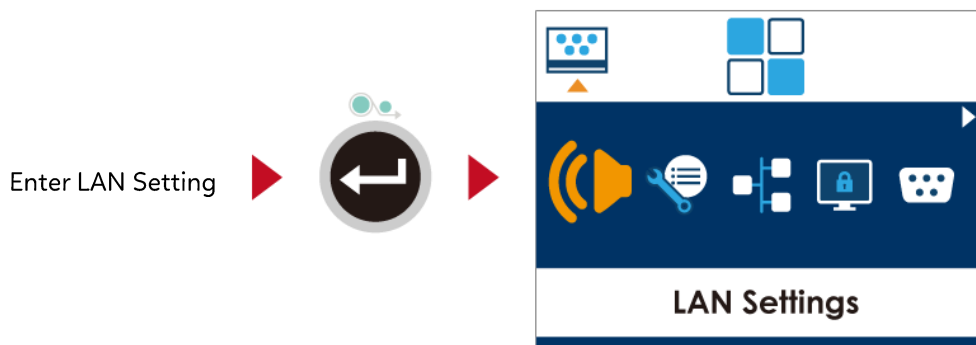
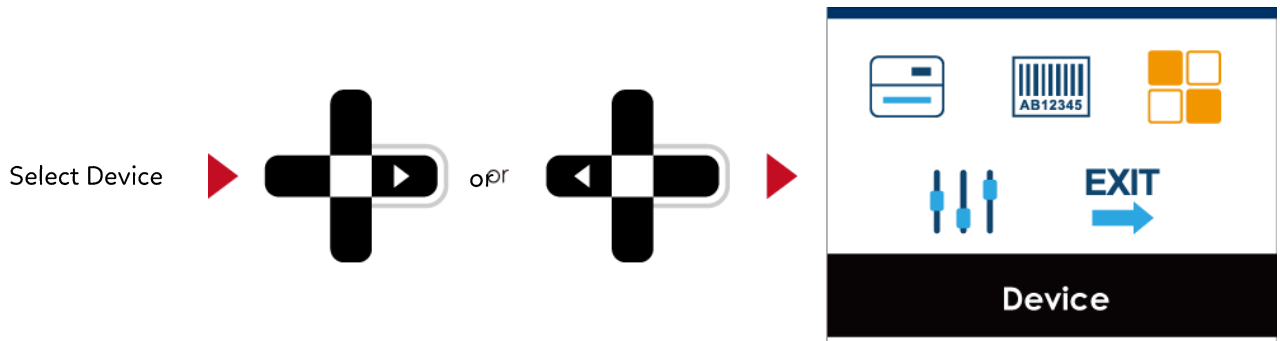
3 Setting and Control for Operation Panel

3.3 LAN Setting

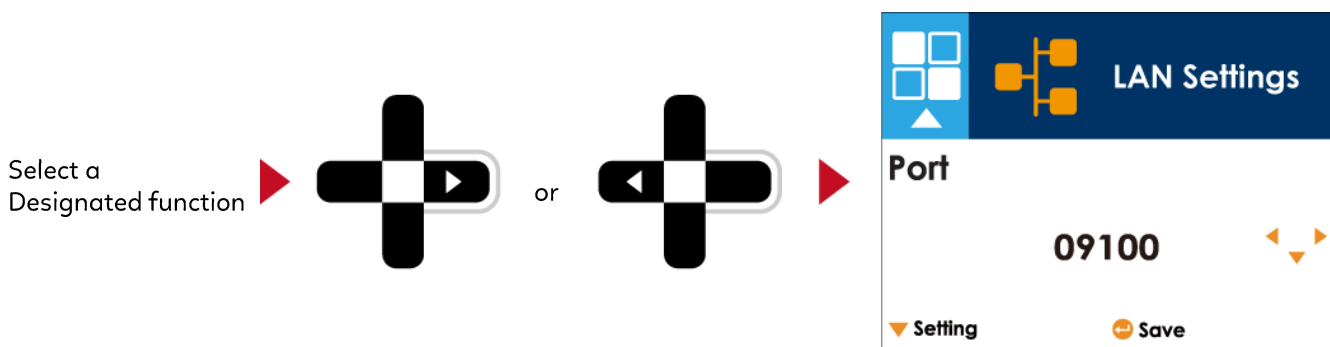
Operations on Setting Page

On MAIN PAGE · press ▶ or ◀ button to move the cursor and select the functions.

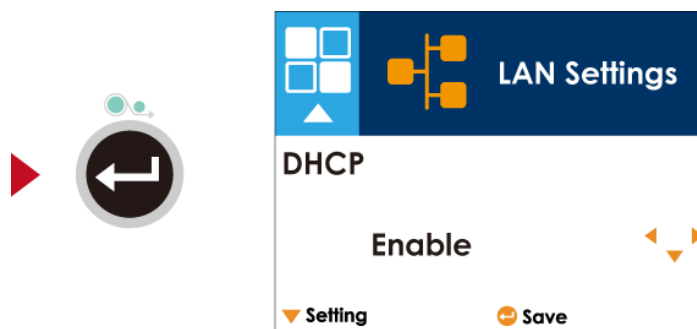
Select a designated function and press FEED button, you will enter the SETTING PAGES for the function.



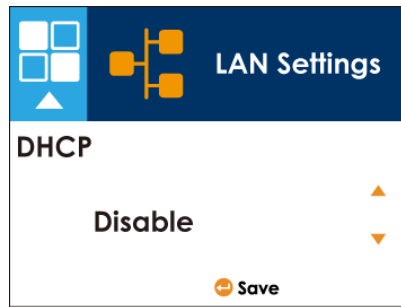
On LAN Setting PAGE · press ▶ or ◀ button to select the setting items.



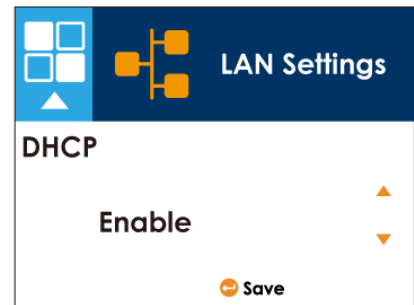
Select DHCP and press FEED button, you will be able to setup DHCP function



The default of DHCP is Disable. Press ▲ or ▼ button to change the setting values.

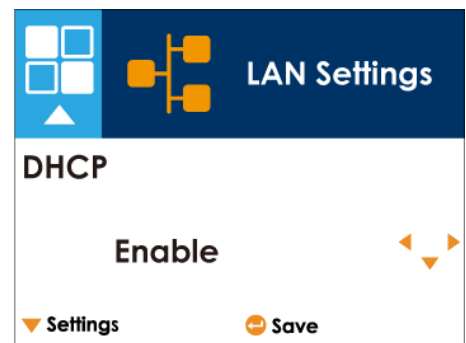


Select ▼ to enable DHCP

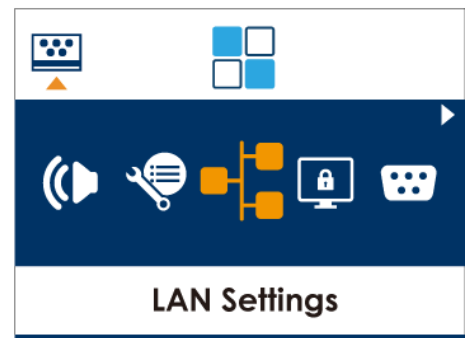


Press FEED button twice to save the setting.

Press FEED once to exit.



Press FEED again to save and return to previous SETTING PAGE.

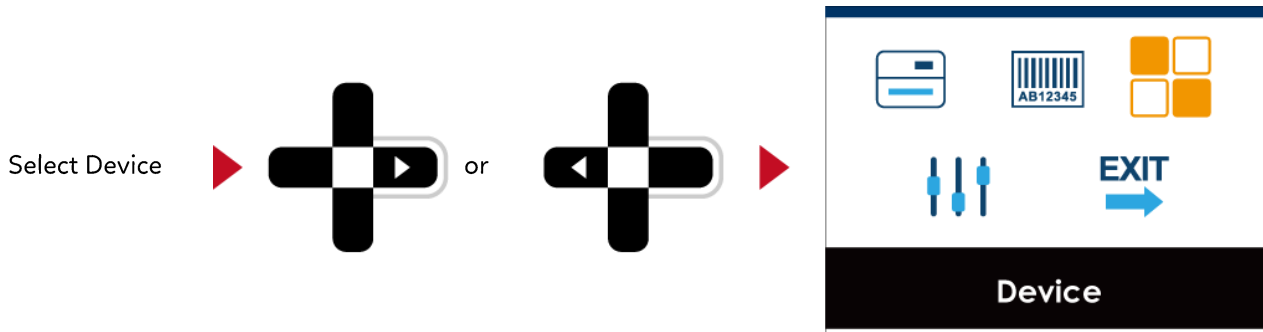


3 Setting and Control for Operation Panel

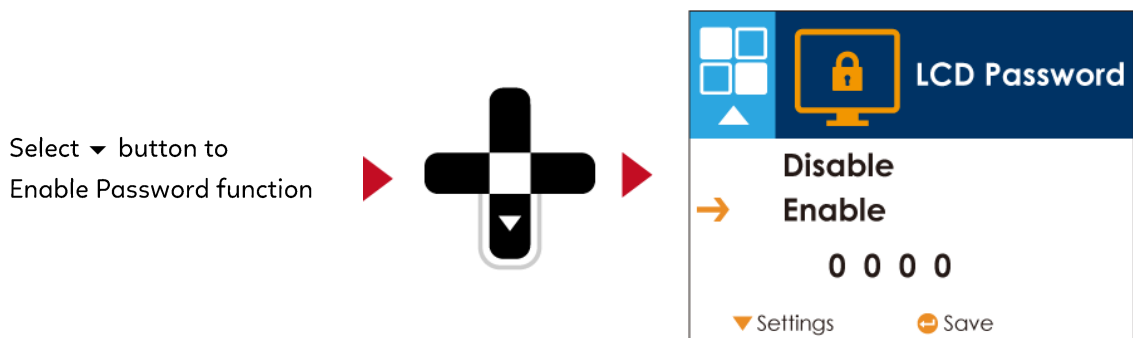
3.4 LCD Password

Operations on Setting Page

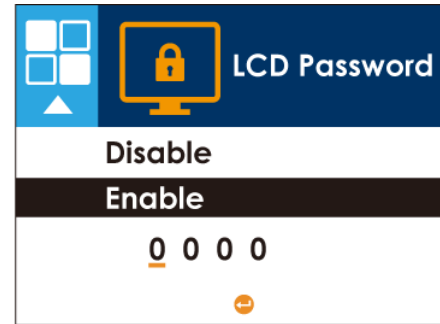
On MAIN PAGE, press ▶ or ◀ button to move the cursor and select the functions. Select a designated function and press FEED button, you will enter the SETTING PAGE for the function.



The default of LCD Setting is Disable. Press ▲ or ▼ button to change the setting values.

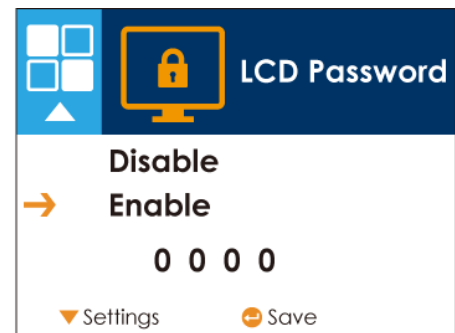


Select ▼ button again to setup the password

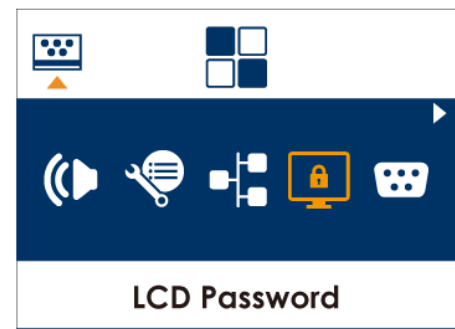


Press FEED button twice to save the setting

Press FEED button once to exit.



Press FEED button again to save and return to previous SETTING PAGE



3 Setting and Control for Operation Panel

3.5 LCD Interface Function

Main Page



Printer Settings



Printer Setting

Setting items for printer, ex. Printing speed, darkness.
Also includes a Printing Wizard for your ease of printing.



Label Setting

Setting items for printing label, ex. Rotation, Printing position offset.



Device

Option modules and connection port settings.



Analysis



Self-Diagnose functions for printer, ex. TPH testing, self-test page printing.



Exit

Exit from Setting Mode.

Setting Items in Setting Mode

 Printer Setting	LCD Language		English		
			Deutsch		
			繁體中文		
			简体中文		
			Français		
			Español		
			日本語		
			Italiano		
			Русский		
	Türk				
	Wizard		Speed	2-5 or 7	
			Darkness	0-19	
			Media Type	Label with Gaps	
				Label with Marks	
				Continuous	
	Printer Mode	Direct Thermal			
		Thermal Transfer			
	Tear-off Position	0-40			
	Setting		Darkness	0-19	
			Speed	2-5 or 7	
			Sensor	Media Detection	Auto Select
See-Through					
Reflective					
			Media Type	Label with Gaps	
				Label with Marks	
				Continuous	
Printing Mode			Direct Thermal		
			Thermal Transfer		
Tear-off Position	0-40				
Top of Form	Apply				
	Cancel;				
Codepage	850 / 852 / 437 / 860 / 863 / 865 / 857 / 861 / 862 / 855 / 866 / 737				
	851 / 869 / Win 1252 / Win 1250 / Win 1251 / Win 1253 / Win 1254				
	Win 1255 / Win 1257				
 Label Setting	Rotation		0°		
			90°		
			180°		
			270°		
	Horizontal Offset	-100 – 100			
	Vertical Offset	-100 – 100			
	Start Offset	-100 – 100			
	Recall Label	001 Form Name			
002 Form Name					




Device

Buzzer		Apply
		Cancel
Optional Setting	Option	None
		Cutter
		Label Dispensor
		Applicator
	Pre-Printing	Apply
		Cancel
LAN Setting	Port NO.	09100
	DHCP	Disable
		Enable
	Default Gateway	192.168.000.254
	Dynamic IP	192.168.102.076
Subnet Mask	255.255.255.000	
LCD Password		Disable
		Enable
Serial Port Setting	Baud Rate	4800 bps
		9600 bps
		19200 bps
		38400 bps
		57600 bps
	Parity	115200 bps
		Non
		Odd
Data bits	Even	
	7 bits	
Stop bits	8 bits	
	1 bits	
RTC Setting	Clock Display	Apply
		Cancel
	RTC Setting	YYYY/MM/DD
		HH:MM:SS
Bluetooth Setting	Clear Bind	Enable
		Disable
	Make Device Visible	Enable
		Disable
	SSP	Enable
Disable		
PIN Code	0000	
Search Devices		



Analysis

Calibration		Apply
		Cancel
Self-test		Apply
		Cancel
TPH Testing		Apply
		Cancel
Reset to Default		Apply
		Cancel
Clear Memory	Label Format	Apply
		Cancel
	Graphic	Apply
		Cancel
	Bitmap Fonts	Apply
		Cancel
True Type Fonts	Apply	
	Cancel	
Asian Fonts	Apply	
	Cancel	
ALL	Apply	

			Cancel
EXIT  Exit	Exit		

Status of LCD Interface

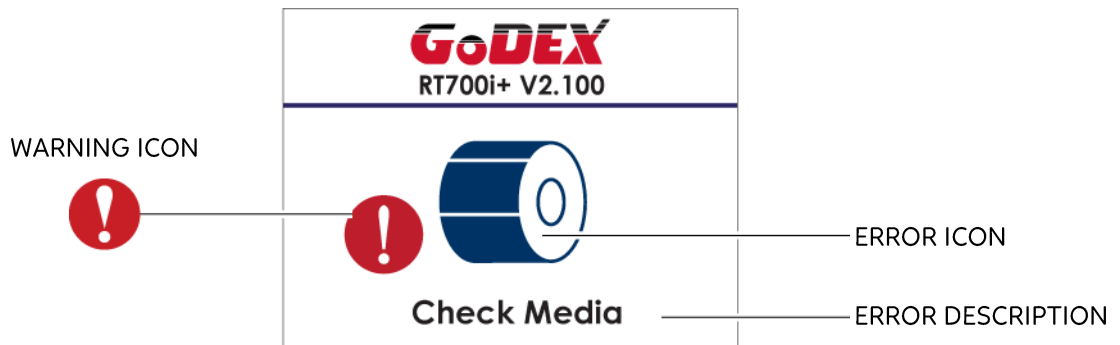
When printer is on standby status (ready to print), the LCD interface will display “Ready” on screen.

You can only print on this “Ready” status.








If there is any printers error, the LCD screen will display the error screen to show the type of error.

You can fix the error according the notice.



Icon Definition

	To upper level	Appears on the NAVIGATION ICON of Setting Pages. It guides you back to upper level by pressing “LEFT” key.
	To upper level	Appears on the NAVIGATION ICON of Setting Value Pages. It guides you back to upper level by pressing “UP” key.
	Lock	On Setting Value pages, press “RIGHT” key to lock the value for preventing unexpected change.
	Unlock	For locked value, press “RIGHT” key again to unlock the value.
	Scroll the value	On Setting Value pages, press “UP” or “DOWN” key to scroll the values for your selection.

3 Printer Setting and Control

3.6 Label Calibration and Self Test

Label Calibration


The printer can automatically detect and store label height. That means the host computer does not need to transmit the label height to the printer.

Self Test

Self-test function lets you check whether the printer is functioning normally. Here is how you run the label size calibration and self test.

1. Check that the label stock is loaded correctly.
2. Turn off the printer.
3. Turn the printer on again, keeping the FEED button pressed. When the LED starts to flash red, release the FEED button. The printer will now measure the label stock and store the label height.
4. Once the printer has successfully measured the label stock, it will print a self-test label.

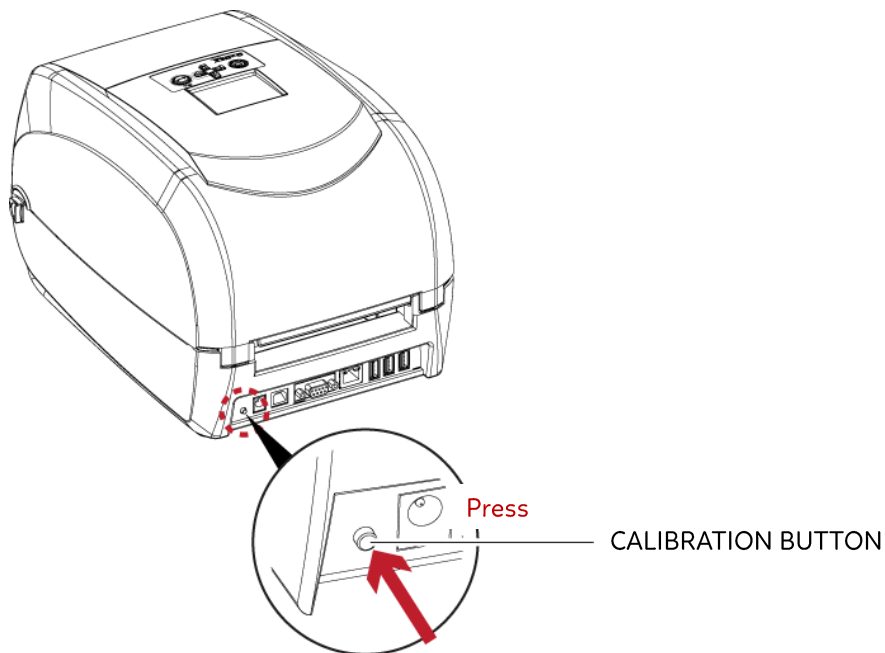
The contents of a self-test printout are listed below.



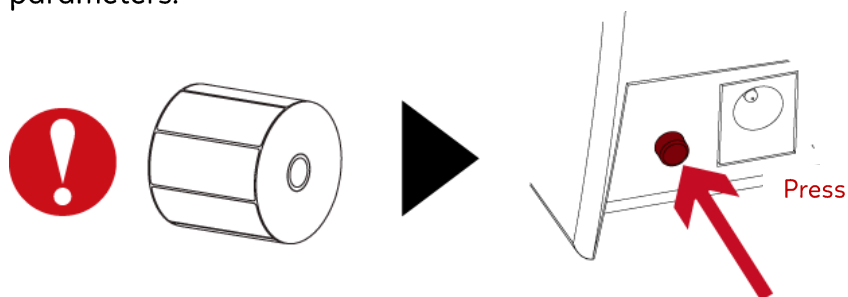
Model & Version	RT700i+:GX.XXX
USB ID setting	USB S/N:12345678
Serial port setting	Serial port:96,N,8,1
MAC address of Ethernet port	MAC Addr:xx-xx-xx-xx-xx-xx
IP protocol setting	DHCP Enable
IP address of Ethernet port	IP xxx.xxx.xxx.xxx
Gateway setting	Gateway xxx.xxx.xxx.xxx
Netmask setting	Sub-Mask xxx.xxx.xxx.xxx
	#####
Number of DRAM installed	1 DRAM installed
Image buffer size	Image buffer size:1500 KB
Number of forms	0000 FORM(S) IN MEMORY
Number of graphics	0000 GRAPHIC(S) IN MEMORY
Number of fonts	000 FONT(S) IN MEMORY
Number of Asian fonts	000 ASIAN FONT(S) IN MEMORY
Number of Databases	000 DATABASE(S) IN MEMORY
Number of Scalable fonts	000 TTF(S) IN MEMORY
Free memory size	4073 KB FREE MEMORY
Speed, Density, Ref. Point, Print direction	^S4 ^H8 ^R000 ~R200
Label width, Form length, Stop position	^W102 ^Q100,3 ^E18
Cutter, Label Dispenser, Mode	Option:^D0 ^O0 ^AD
Sensor Setting	Reflective AD:1.96 2.84 2.49[0.88_23]
Code Page	Code Page:850

Label Calibration Button

A hardware button to make a Label Calibration while printer encountering "Media Error" during the cases when first-time printer start up or change label or ribbon to another type, such as change using gap label to continuous or black mark labels.



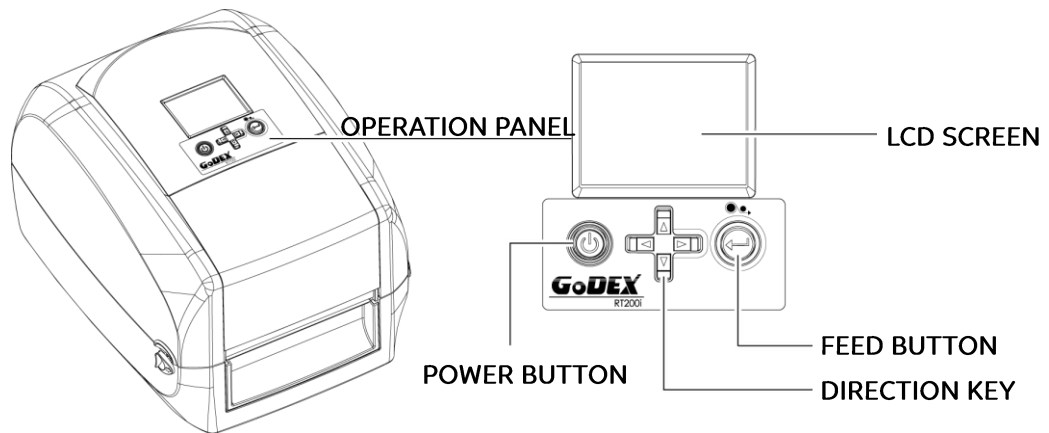
Press C-button for 2 seconds, it will make an auto-sensing to calibrate the label and ribbon's parameters.














3 Printer Setting and Control

3.7 Error Alerts

In the event of a problem that prevents normal functioning of the printer, you will see an error message on LCD screen and hear some beep signals. Please refer to below table for the error alerts.



Operation Panel		Status	Type	Beeps	Description	Solution
  Prthead Open	Print Head Error	2 x 4 beeps	The printing mechanism is not correctly closed.	Open the print mechanism and close it again.		
					  TPH overheat	Print Head Error
  Check ribbon setting	Media Error	2 x 3 beeps	No ribbon is installed and the printer displays an error.	Make sure that the printer is set to direct thermal printing mode.		
			  Check Media	Media Error	2 x 2 beeps	The ribbon is finished or the label supply hub is not moving.
No paper is detected.	Make sure that the label sensor is positioned correctly. If the sensor still does not detect the paper, run the auto-detection function again.					
Paper is finished.	Replace the label roll.					
					Printer feed problem.	Possible reasons: the print medium has become trapped around the rubber roll; the sensor cannot detect a gap or black mark between the labels; there is no paper. Please reset the sensor.

Operation Panel		Type	Beeps	Description	Solution
 <p>GoDEX R1700I+ V2.100</p> <p>Memory full</p>				<p>The memory is full. The printer prints the message "File System full".</p>	<p>Delete unnecessary data or install additional memory.</p>
 <p>GoDEX R1700I+ V2.100</p> <p>File name can't be found</p>	File Error	2 x 2 beeps	<p>Unable to find file. The printer prints the message "File Name not found"</p>	<p>Use the "~X4" command to print all files.</p> <p>Then check whether the files exist and whether the names are correct.</p>	
 <p>GoDEX R1700I+ V2.100</p> <p>File name duplicated</p>			<p>A file of the same name already exists. The printer prints the message "Duplicate Name".</p>	<p>Change the name of the file and try storing it again.</p>	

3 Printer Setting and Control

3.8 USB Host

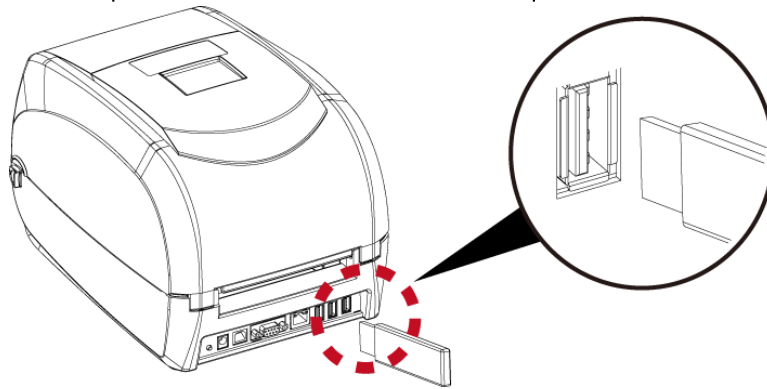
Definition : USB Host port supports either device : USB memory stick, keyboard or scanner.

Purpose

- USB memory stick : It extends the user memory space up to 32GB for Graphic, Font, Label Format, DBF and Command files downloading. The printer's Firmware also can be updating if copy new version of Firmware into USB memory stick.
- Connecting an USB keyboard to printer for " Standalone" mode operation.
- Plug-in an USB scanner to operate the printer in "Standalone" mode.

Usage of Extended Memory

- USB memory stick : It supports hot-plugging function; printer will create a Folder "\LABELDIR" and switch "User Flash" to " Extended Memory" automatically while user plugs an USB memory stick into a GoDEX "i" model printer.
- Connect the USB Stick plugged -in printer to PC via USB Device or Ethernet port and run "GoLabel" software to download Graphic, Font, Label Format, DBF and Command files to the printer.
- Detail download procedures, please refer to "GoLabel On-line Help".



Usage of Firmware Update

- Remove USB memory stick from printer and plug-in it to a PC's USB port; delete Firmware "*.bin" file from "\LABELDIR\FW" of USB memory stick if it existing; or create a Folder "\LABELDIR\FW" to USB memory stick if it doesn't existing.
- Copy a new version of Firmware "xxxx.bin" to the Folder "\LABELDIR\FW"; and then remove USB and plug-in back to the printer that going to update Firmware.
- The printer will update the Firmware automatically when plug-it-into the printer and printer find-out the Firmware in "\LABELDIR\FW" is newer version.
- Don't remove the USB memory stick out while it's under updating with "Flash Writing..." message that displays on LCD panel.

USB Keyboard

- When plug-in an USB keyboard to the printer, LCD panel will display “Standalone Mode”, press the “Enter” key on keyboard and “Feed” key in the printer to entering to the dialog for “Recall Label” operation.
- Only the sub-dialog “Recall Label” is able operating by keyboard as follow definition:
 1. Press “ESC” key to exit from “Standalone Mode” or back to previous dialog
 2. Press “F1”, it will let the printer from “Ready” mode entering into “Standalone Mode”
 3. Press “Enter”, “Arrow” and “Alphabetic” keys as the usual in PC that will perform the key-in function of “Recall Label” in “Standalone Mode”.

Scanner

- When plug-in an USB scanner to the printer, LCD panel will display “Standalone Mode”, press the “Feed” key in the printer to entering the dialog of “Recall Label” operation. User performs the “Recall Label” function interactively through the LCD panel, 4 direction keys, Feed key and Scanner.
- Scanner is using in “standalone Mode” to scanning the “Serial Number, Variable” and Print Quantity while the printer prompts a message on LCD panel and wait for data input.

3 Printer Setting and Control

3.9 Dump Mode Begin

For make sure provide us correct information for check what commands sent from the PC or software, please following below steps,

STEP 1, Let the printer enter Dump Mode

For Desktop printer (RT200i / RT700i+ series, with LCD)

Just press and hold the ▽ key until LCD Display shows “DUMP MODE”, then release the ▽ key.

STEP 2. Make sure printer ready for print a label

STEP 3. Send a label or commands which met problem to the printer

STEP 4. Printer will print out a label with letters and numbers, please take a picture on them and send us by email.

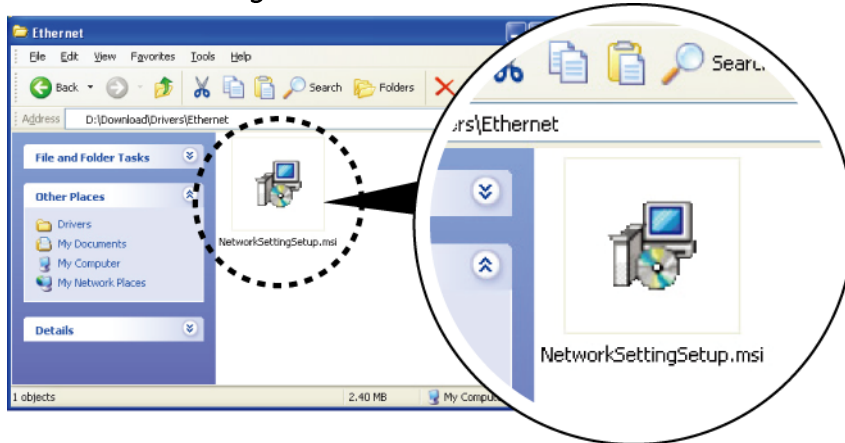
To cancel (get out of) the Dump Mode, please press the FEED key, and then the printer will automatically print “OUT OF DUMP MODE.” This indicates that the printer is back to the standby mode.

4 NetSetting for Ethernet

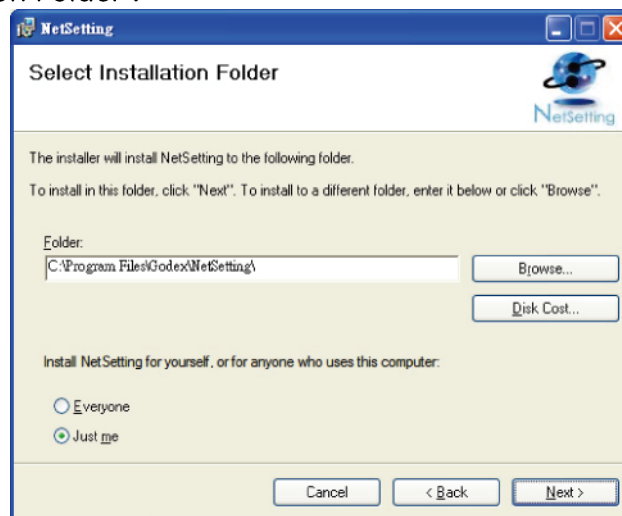
4.1 Installing the NetSetting software

The NetSetting software is used to manage the network configurations when connecting the printer via Ethernet port. It is available on product CD or can be downloaded from official website. To install the NetSetting, please follow below steps.

1. Insert the product CD in the CD/DVD drive of the host computer and open the "Ethernet" folder on the CD.
2. Select the icon for the NetSetting installation file and click it to start the installation.



3. Follow the instructions on the screen. The Setup Wizard guides you through the installation procedure.
4. Specify the "Installation Folder".



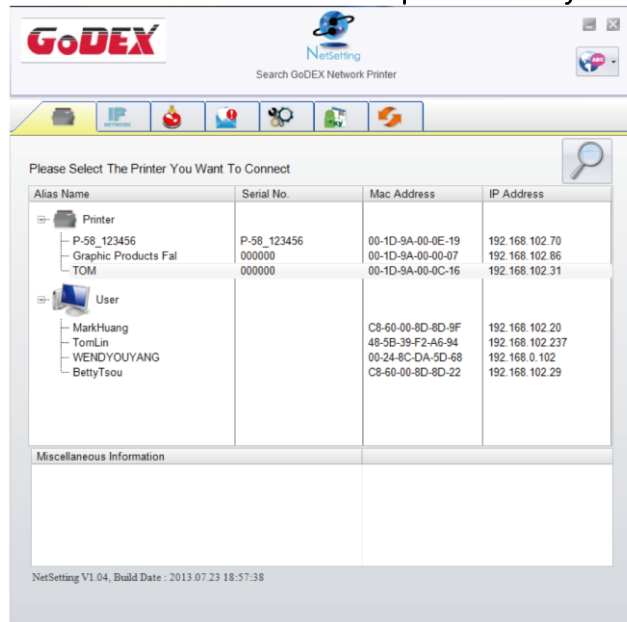
5. Click "Next" to start the installation.
6. Once the installation is completed; you will see the NetSetting icon on your desktop.



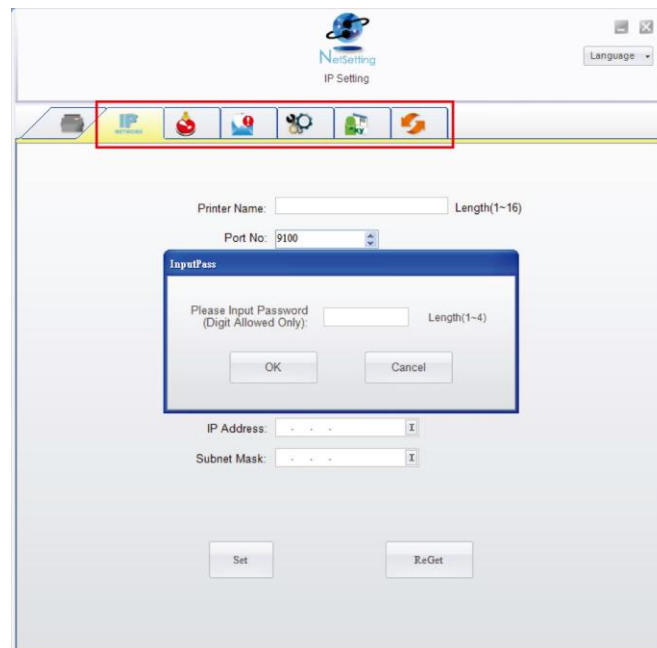
4 NetSetting for Ethernet

4.2 The Interface of NetSetting

Click the NetSetting icon to start the program; you will see the start page as below. The start page will display the basic information of connected printer and your PC.



Click the magnifier icon to search the Godex printers which are connected via Ethernet port in your network environment. Once a connected Godex printer is detected, it will be listed on the start page.



There are six tabs on the top of interface which can configure different types of network settings. But for the data security reason, you need correct password to enter the configuration pages.

Notice

* The default password is "1111", you can change the password later from the "IP Setting" tab.

IP Setting

The IP Setting tab can change the printer name, Port number, Gateway setting and the password for configuring the printer. You can also set the printer's IP address either by DHCP or by Static IP.

The screenshot shows the 'NetSetting IP Setting' window. The title bar includes the 'NetSetting' logo and 'IP Setting' text, along with window control buttons and a 'Language' dropdown. A navigation bar below the title bar contains icons for printer, IP, home, help, settings, and refresh. The main content area is divided into sections for configuration:

- Printer Name:** Text box containing 'Godex', with a 'Length(1~16)' label.
- Port No:** Spin box containing '9100'.
- Default Gateway:** Text box containing '192 . 168 . 0 . 254', with an 'I' icon.
- Password:** Text box containing '0000', with a 'Length(1~4)' label.
- IP Configuration:** Two radio buttons: 'Get IP From DHCP Server' (selected) and 'Static IP'.
- IP Address:** Text box containing '192 . 168 . 101 . 151', with an 'I' icon.
- Subnet Mask:** Text box containing '255 . 255 . 255 . 0', with an 'I' icon.

At the bottom of the window are two buttons: 'Set' and 'ReGet'.

You can press “Set” button to apply the settings and “ReGet” button to refresh the setting values.

Notice

* To fully benefit from the NetSetting software, you should be familiar with basic networking principles. Please contact your network administrator for related network setting information.

Alert Path Setting

NetSetting will send the alert messages to designated mail account when the error happened on printer. The alert messages are sent by SMTP (Simple Mail Transfer Protocol) or SNMP (Simple Network Management Protocol).

You can set or change the configurations of SMTP and SNMP on this “Alert Path Setting” tab.

NetSetting
Alert Path Setting

Language

SMTP Notification Enable

Login Account: Length(1~64)

Login Password: Length(1~16)

Server IP Address: xxx.xxx.xxx.xxx

Mail Subject: Length(1~60)

Mail From Address: Length(1~32)

Mail To Address: Length(1~32)

Duration Cycle: 0 ~ 168 Hours

Event Counter: 1 ~ 100

SNMP Notification Enable

SNMP Community: Length(1~16)

SNMP Trap Community: Length(1~16)

Trap IP Address: xxx.xxx.xxx.xxx

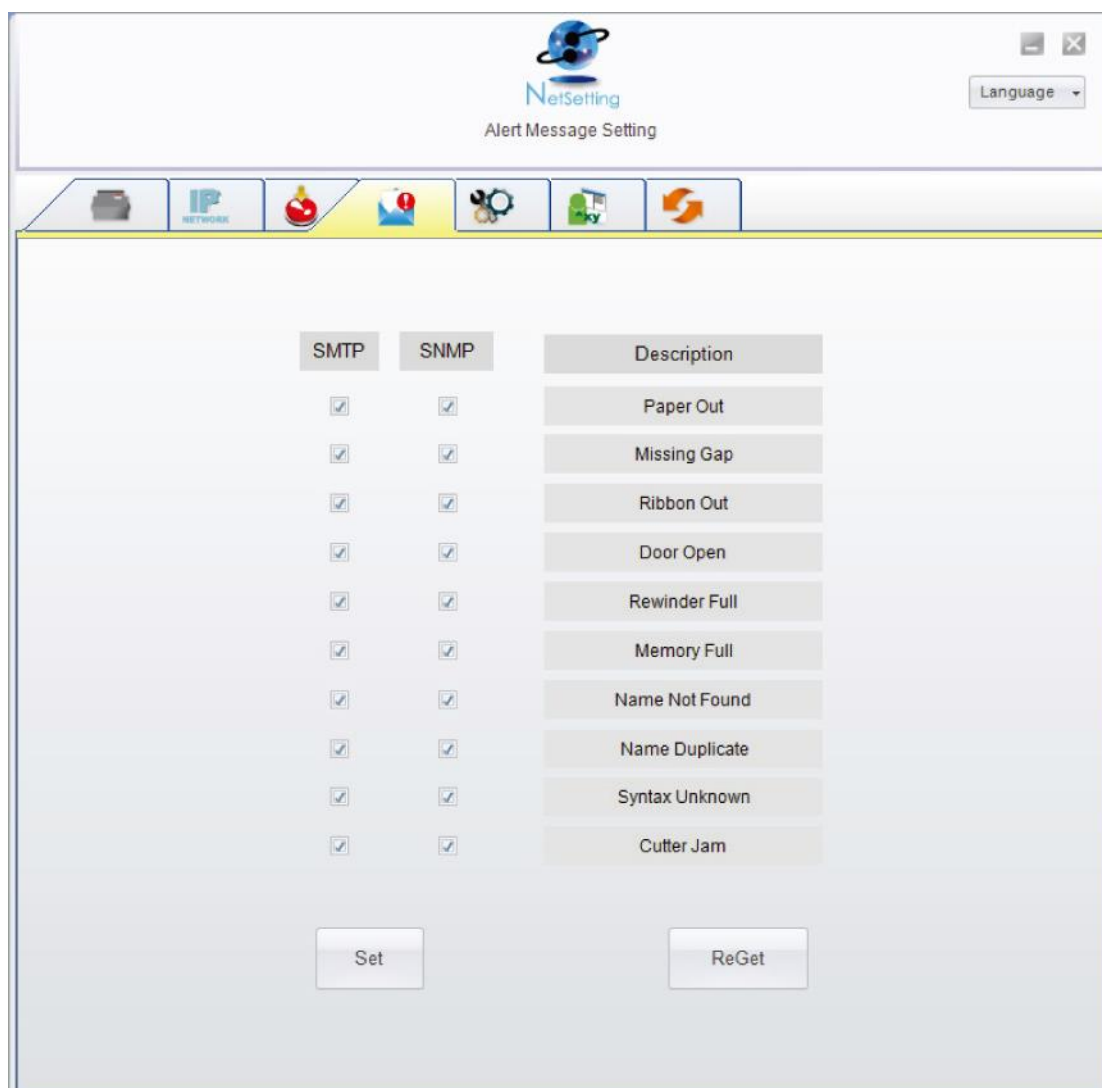
Set ReGet

You can press “Set” button to apply the settings and “ReGet” button to refresh the setting values.

Alert Message Setting

For the alert message notification function, you can decide which error cases need to be sent out to the operator.

Moreover, the alert messages can be set to be sent by SMTP, SNMP or both.



You can press “Set” button to apply the settings and “ReGet” button to refresh the setting values.

Printer Configuration

Set or change the configurations of connected printer. Most of key settings for the printer operation can be done by this setting page.

The screenshot shows the GoDEX NetSetting Printer Configuration window. The window title is "GoDEX NetSetting Printer Configuration". The interface includes a navigation bar with icons for printer, network, and other settings. The main content area is divided into several sections:

- Printer Setup:** Contains dropdown menus for Printer Model (RT700i), Tear-off Position (12), Speed (2), Darkness (12), Dispenser/Applicator (0 (None)), Labels per Cut (0), and Printing Mode (Thermal Transfer).
- Serial Port Setting:** Contains dropdown menus for Baud Rate (4800), Parity (None), Data Bits (8), and Stop Bits (1).
- Miscellaneous:** Contains dropdown menus for LCD Language (Traditional Chinese), Sensing Mode (0 - Reflective), Keyboard Country Code (US), Pre-Printing (OFF), Code Page (Code Page 850), Top Of Form (ON), and Buzzer (ON).

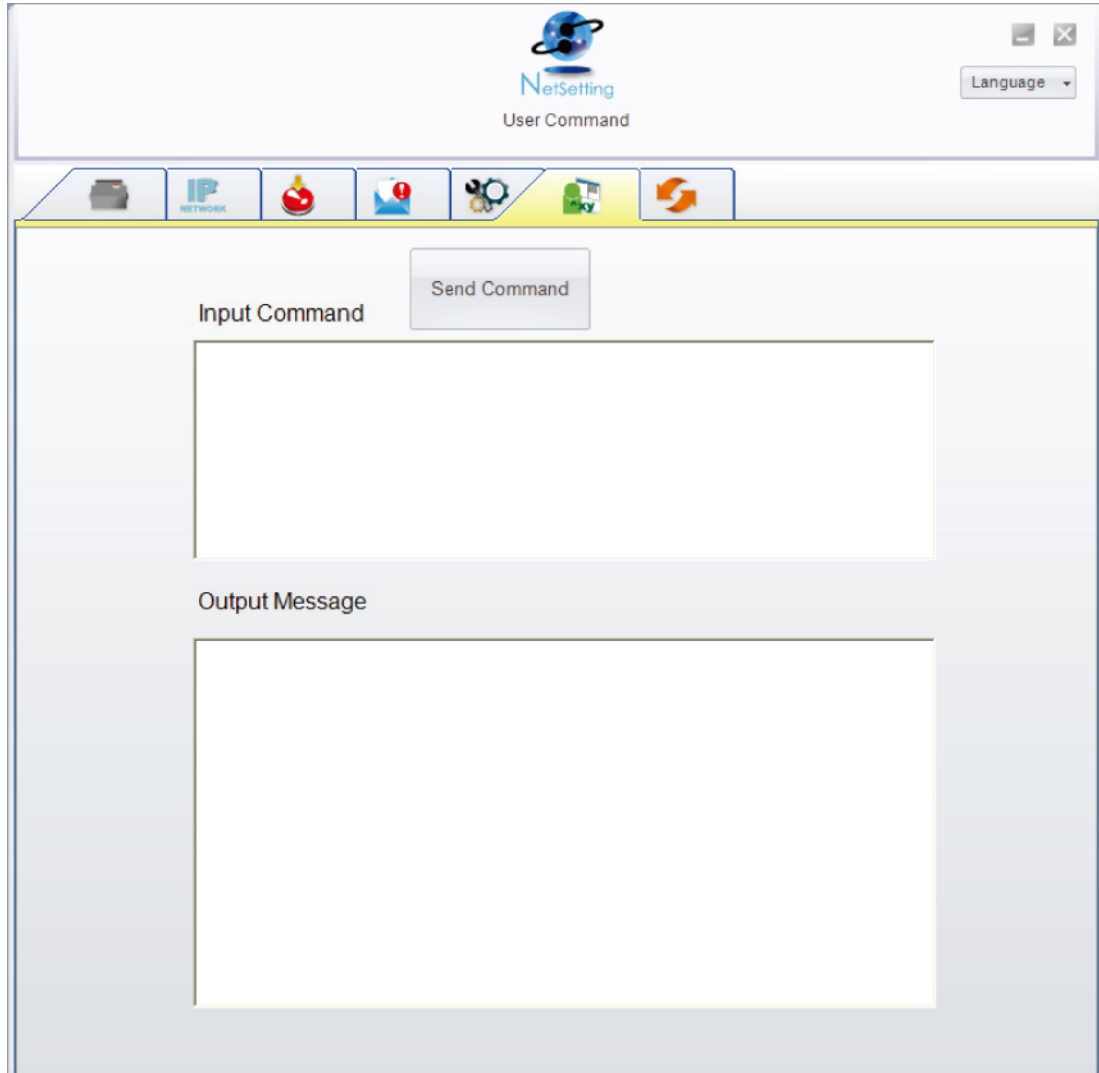
At the bottom of the window, there are two buttons: "Set" and "Refresh".

You can press "Set" button to apply the settings and "ReGet" button to refresh the setting values.

User Command

The "User Command" tab provides a communication interface for operator to control the printer. Input printer commands in "Input Command" window and press "Send Command" button, the commands will be sent to the printer.

For some commands that will return response message, the message will be displayed in "Output Message" window.

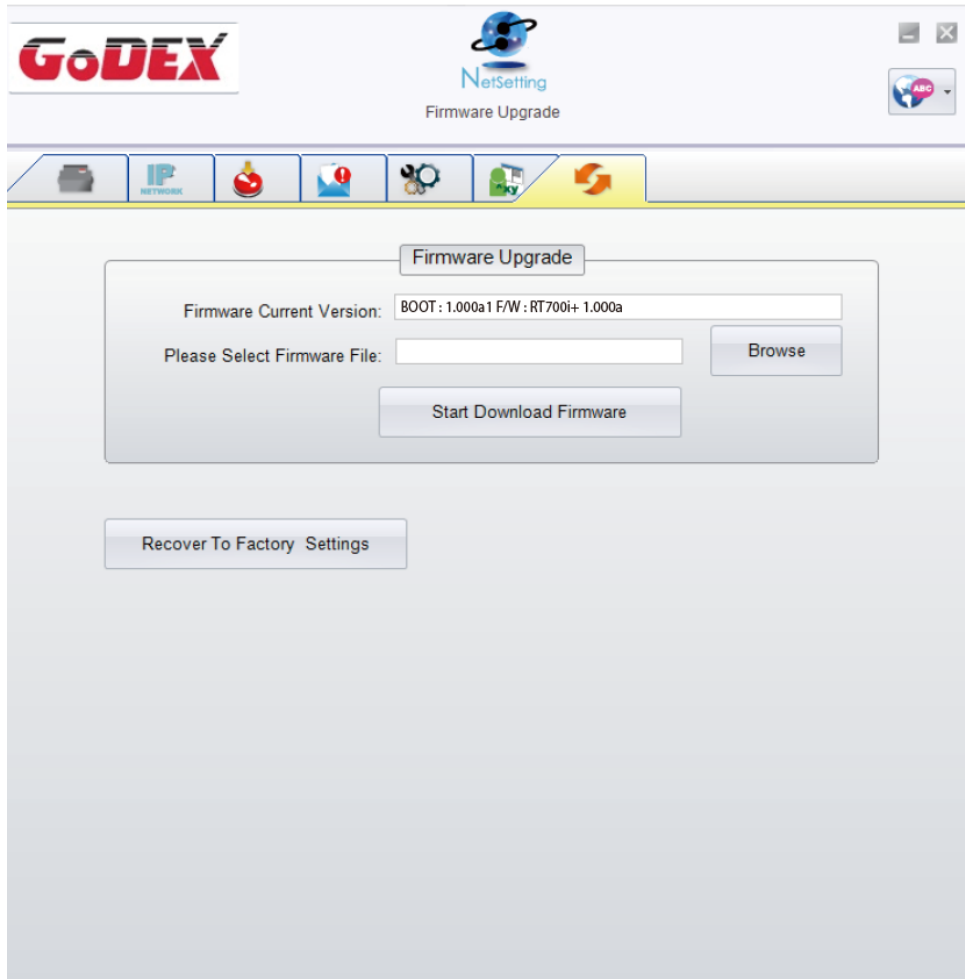


You can press "Send Command" button to send printer commands via Ethernet port and control the printer remotely.

Firmware Download

On “Firmware Download” tab, the current version of printer firmware will be showed on the screen. If you need to update the printer firmware, just specify the file location of firmware file and press “Start Download Firmware” button.

The printer firmware then can be updated remotely.



In addition to the firmware update, you can press “Recover To Factory Settings” button to restore the printer configurations back to factory default.

5 Accessories

5.1 Preparation Steps

Before installing the optional modules, please make some preparations as follows.

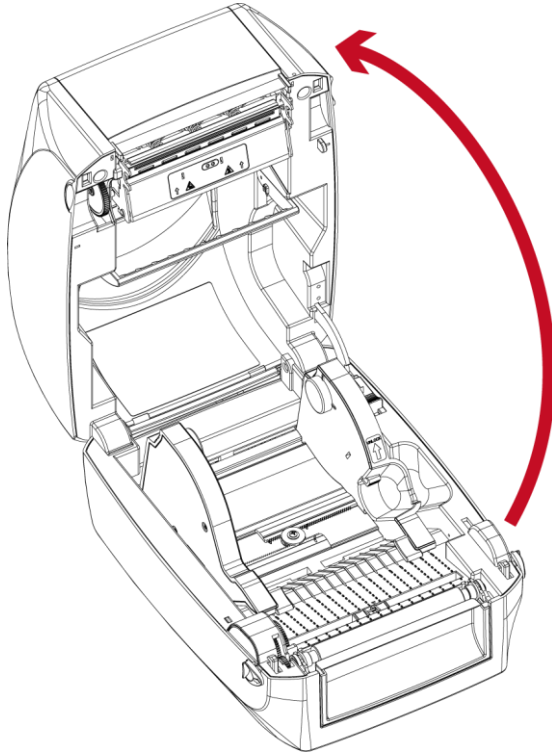
1. Turn off the printer :

Remember to switch off the printer before installing any module.

2. Open the printer cover :

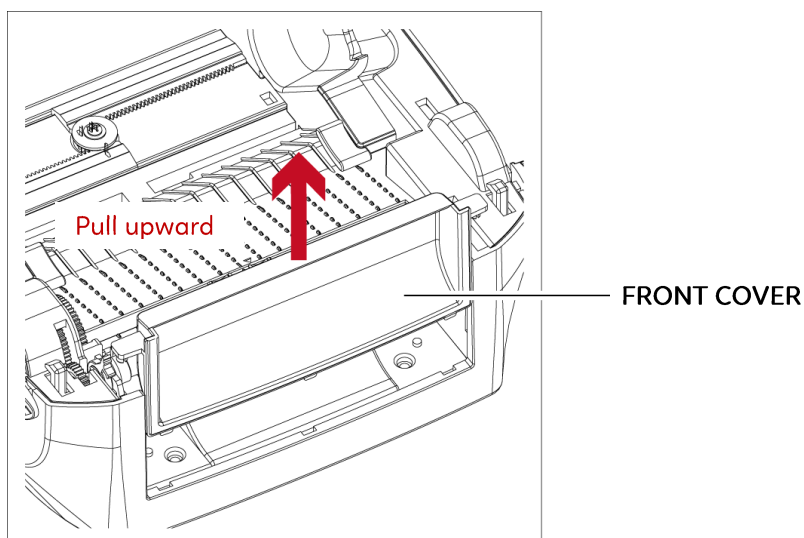
Open the printer cover by pulling the release catches on both sides of the printer.

Please see the Section 2.1 for further information about Open the Printer.



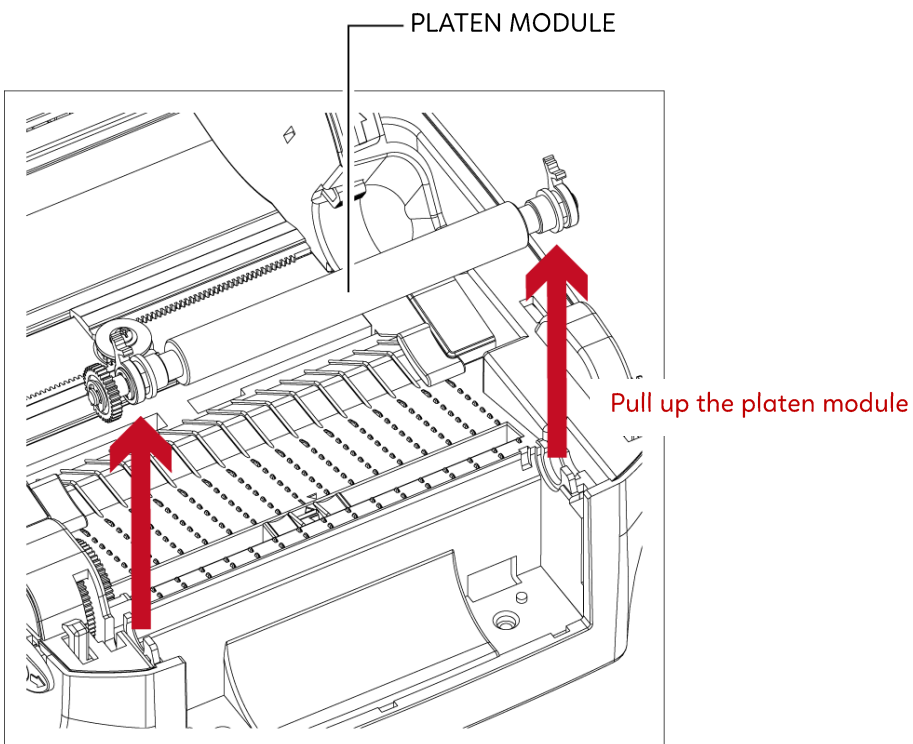
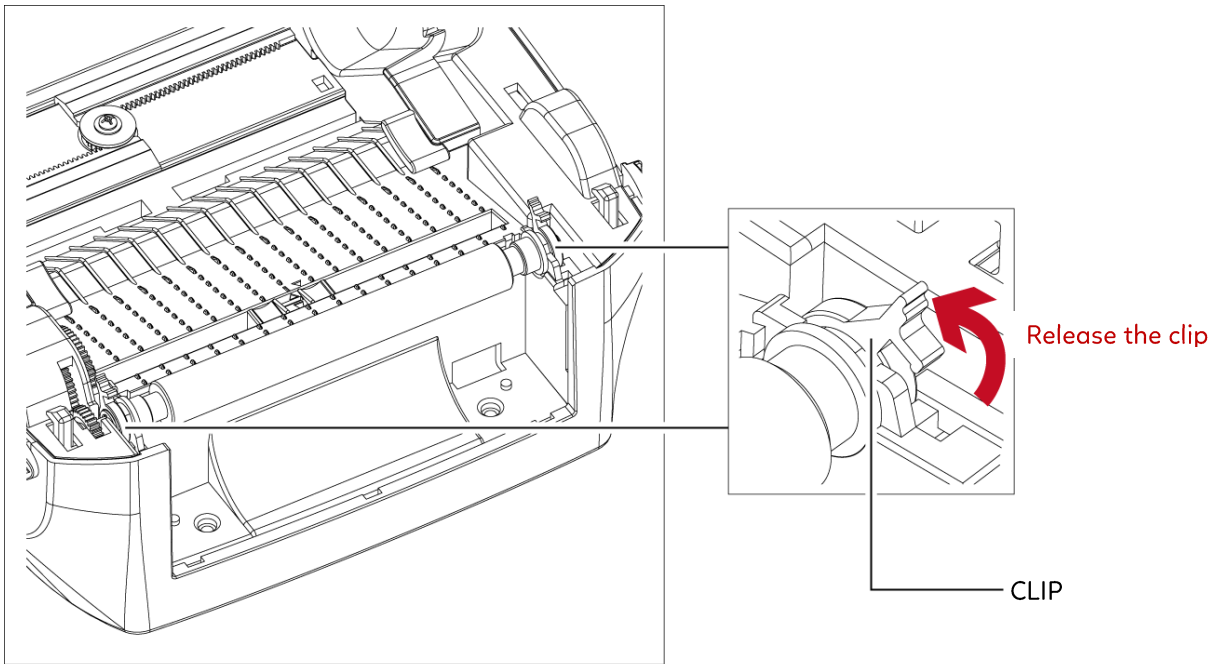
3. Remove the front cover :

Please pull upward to remove the front cover.



4. Remove the platen :

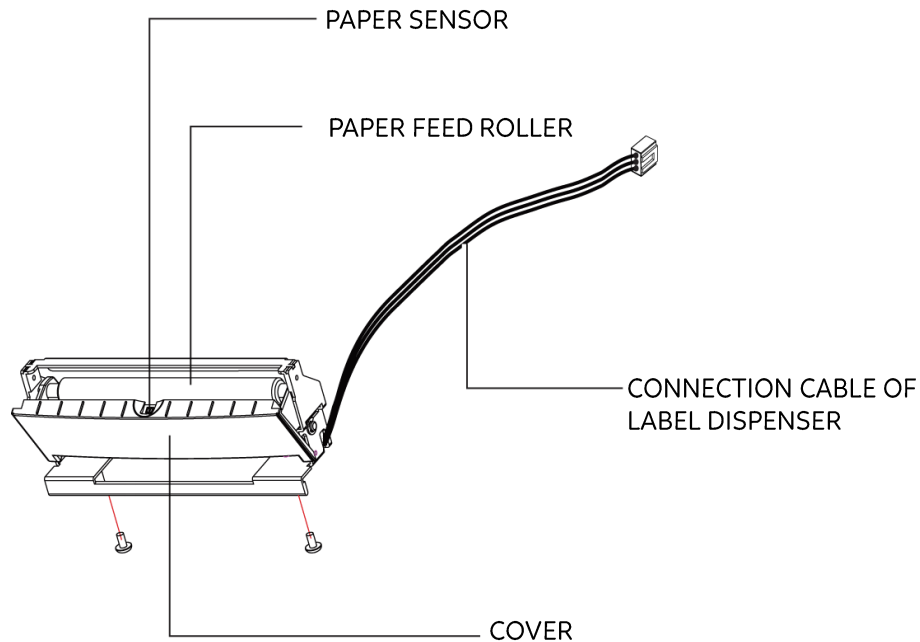
Lift up the release clips on both sides of the platen to release and pull upward the platen.



5 Accessories

5.2 Installing the Label Dispenser

The Overview of the Label Dispenser

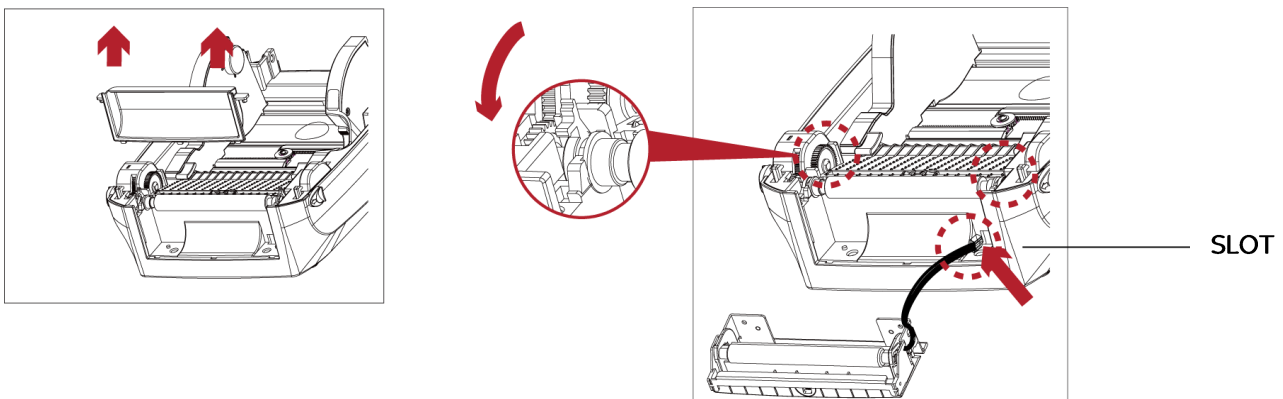


Preparation Steps

Please see the Section 5.1 Preparation Steps to complete the preparation steps before installing the label dispenser.

Installing the Label Dispenser

1. Removed the front panel.
2. Press the catches on the left and right sides of the platen downwards and then pass the connection cable through the slot of the printer.



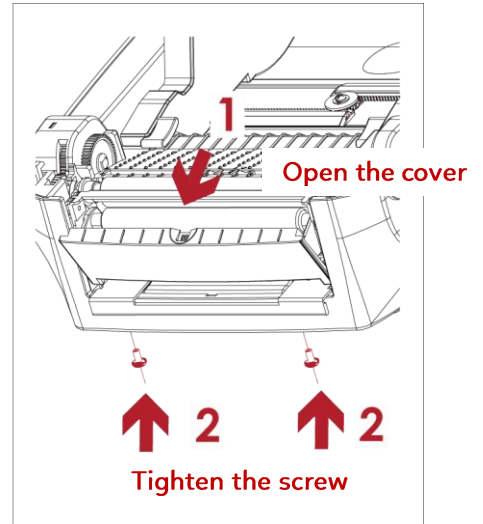
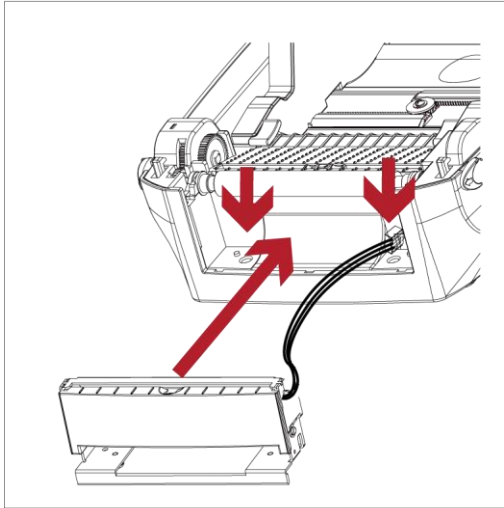
Notice

* A label liner thickness of $0.006 \text{ mm} \pm 10\%$ and a weight of $65 \text{ g/m}^2 \pm 6\%$ are recommended.

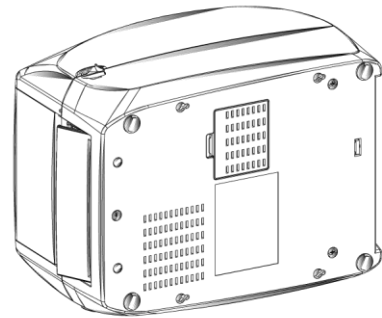
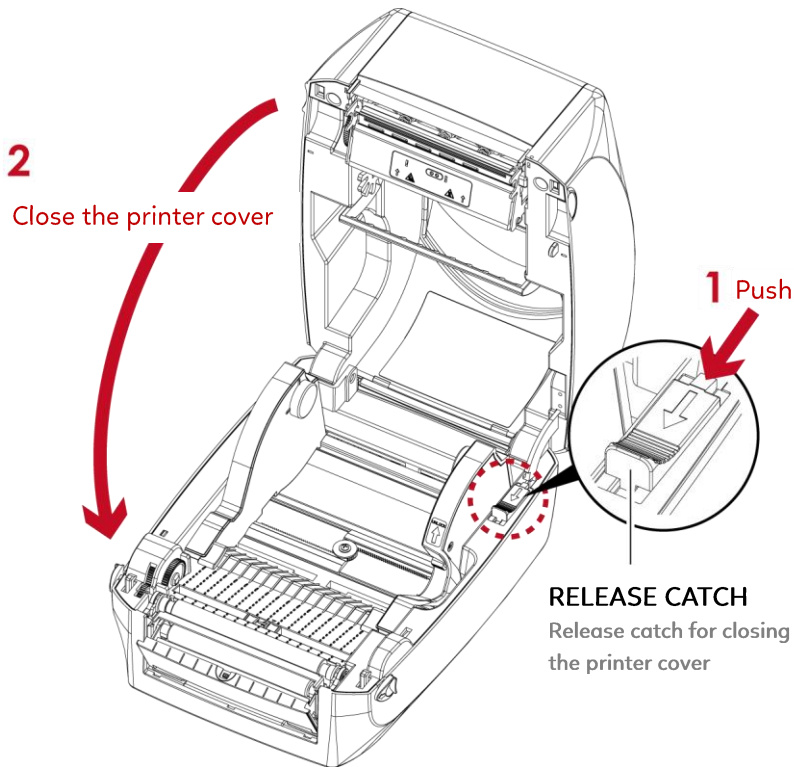
* The label dispenser will take labels up to a max. width of 118 mm.

* When using the label dispenser, set the stop position (printer command ^E) to 13.

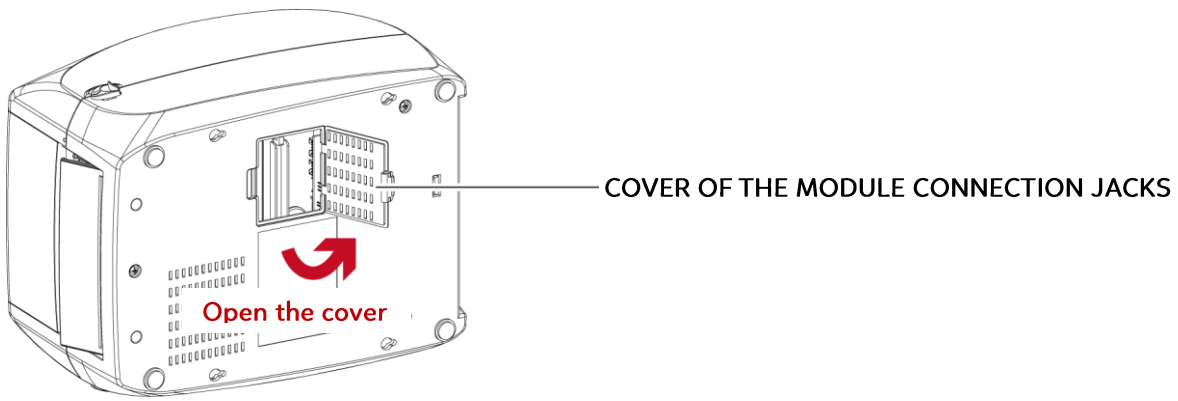
- 3. Place label dispenser to align both holes of screw.
- 4. Open the cover of the label dispenser, and then tighten the screws.



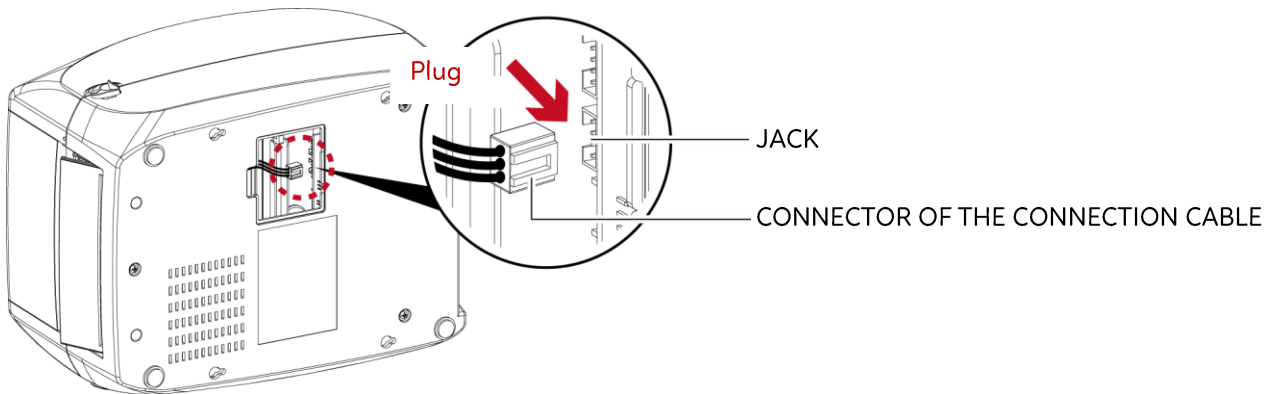
- 5. Close the printer cover.
Then to turn the printer upside down.



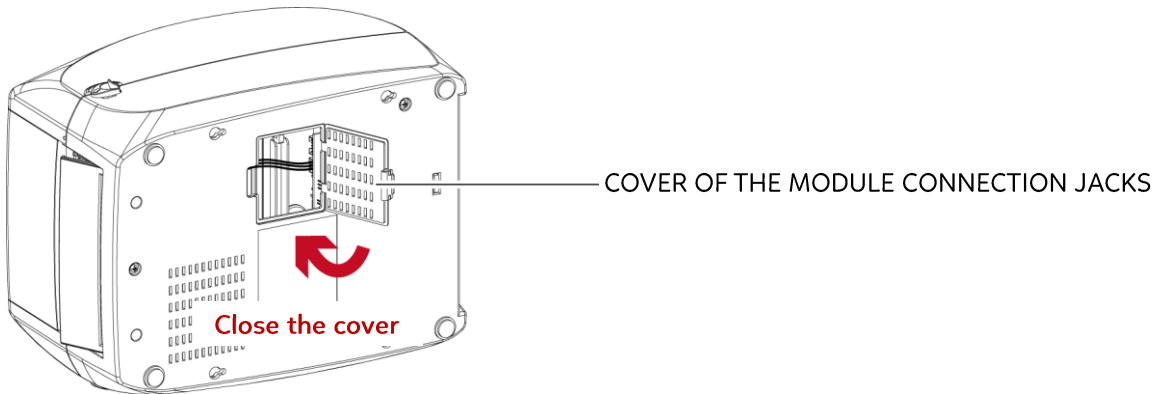
6. Open the cover on the bottom of printer.



7. Plug the connector for the label dispenser to the jack.



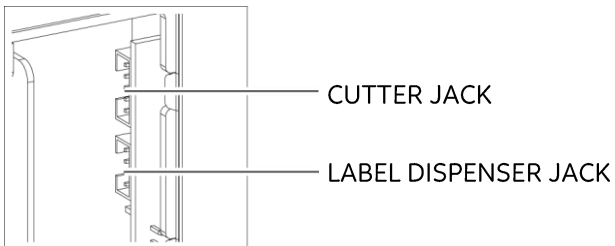
8. Close the cover of the module connection jacks.



Notice

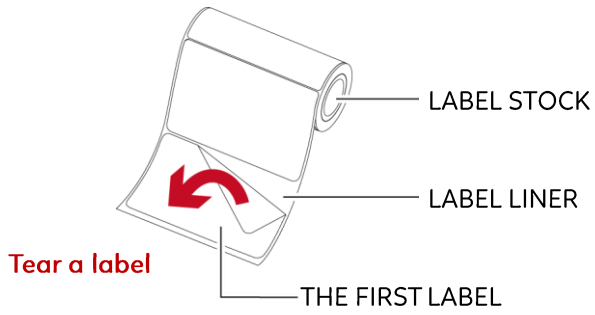
* The printer must be switched off when plugging the connector, or the motherboard may be destroyed!

* There are 2 jacks : the lower jack for the label dispenser, the upper jack for the cutter.



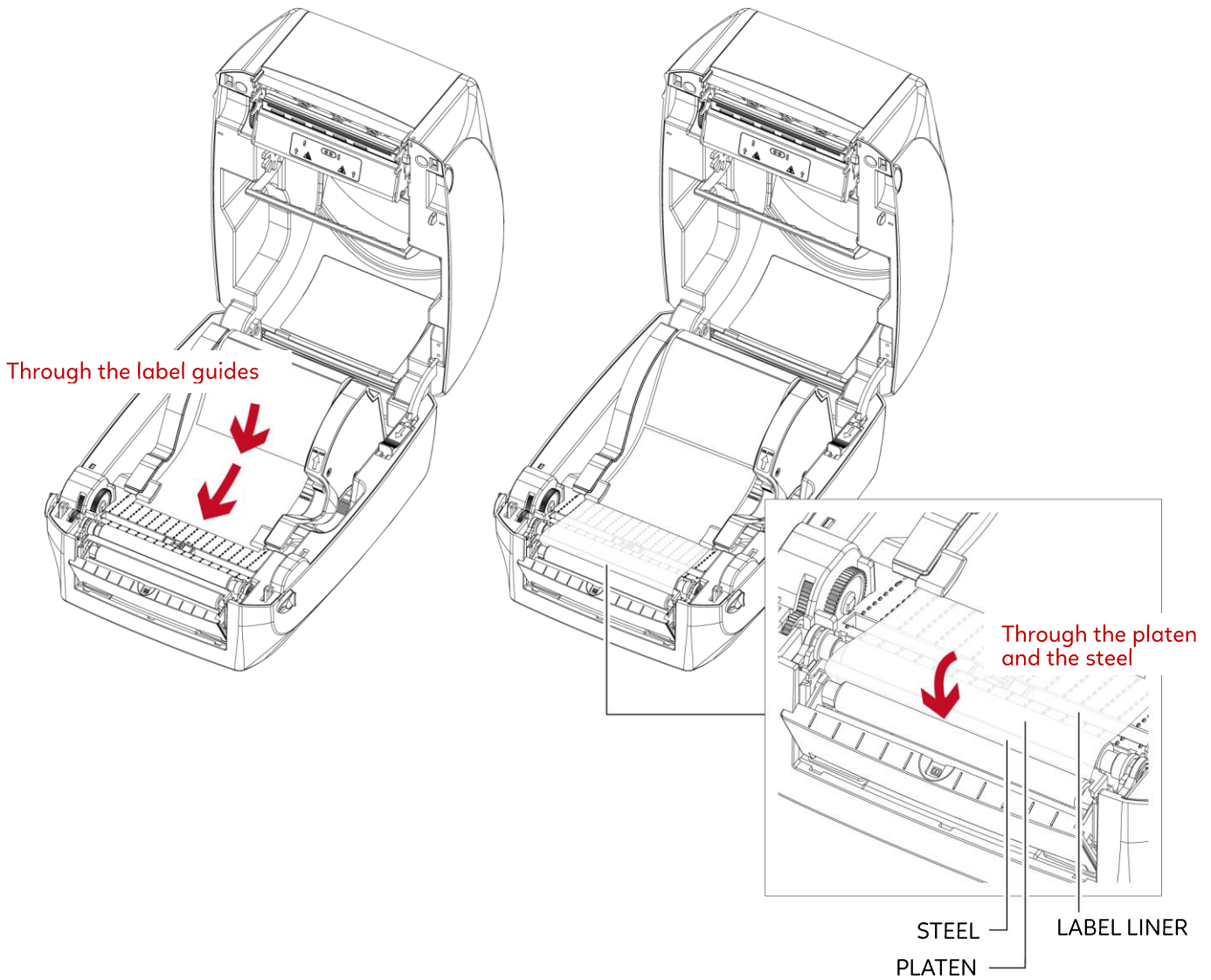
Loading Label Roll with the Label Dispenser Module

1. Remove the first label from the label stock.



2. Feed the Label stock through the label guides.

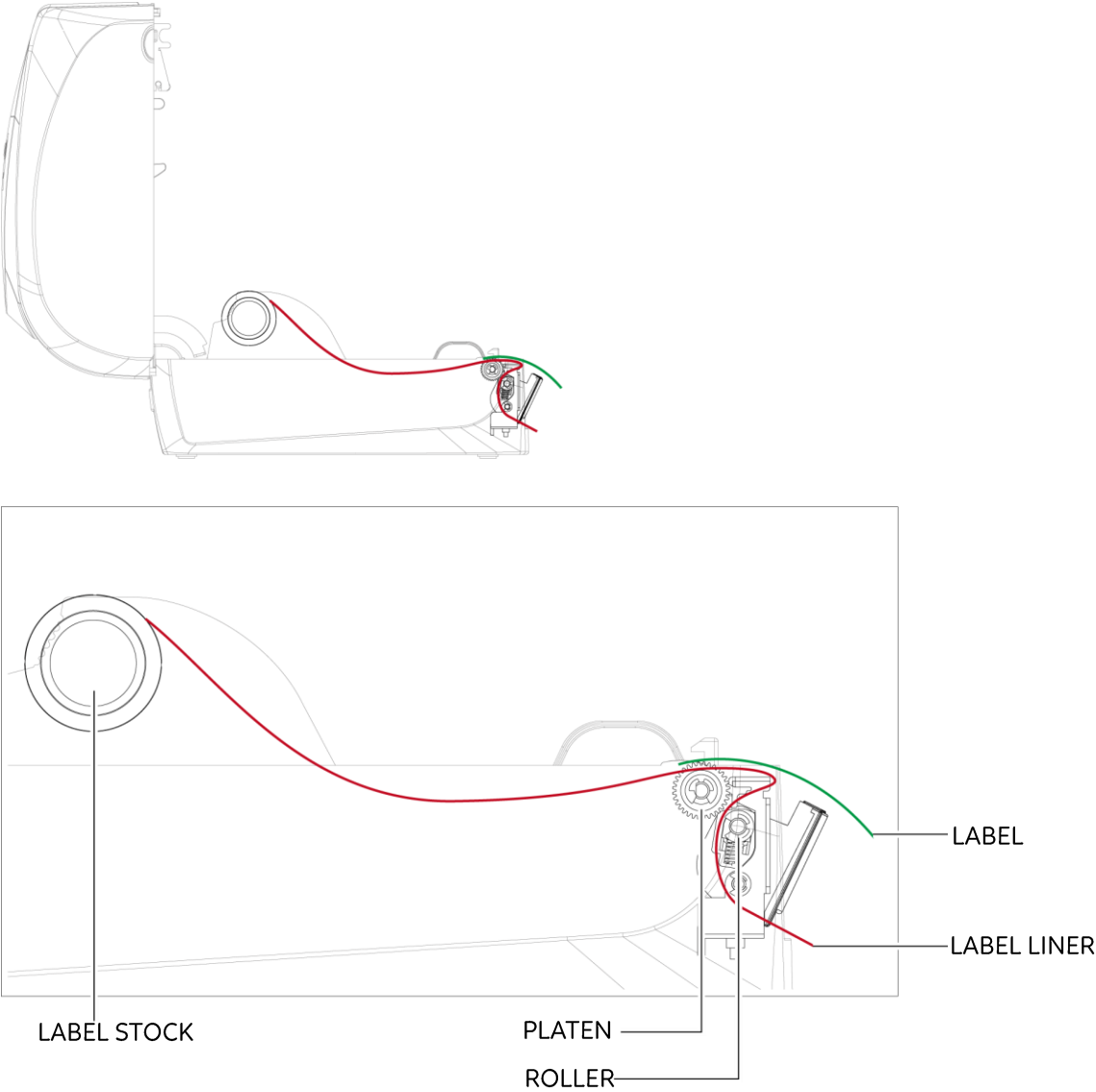
And pull the label liner through the platen and the steel of the label dispenser.



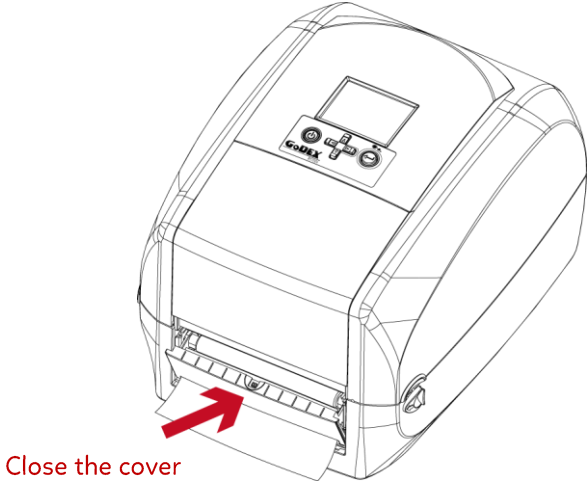
Notice

* Labels should be at least 25 mm high.

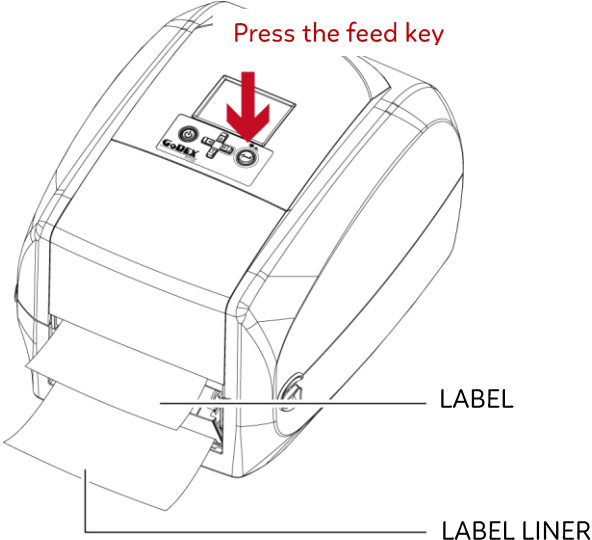
3. The feeding path of label and liner should be as shown in below graphic.



4. Close the printer cover. The installation is completed now.

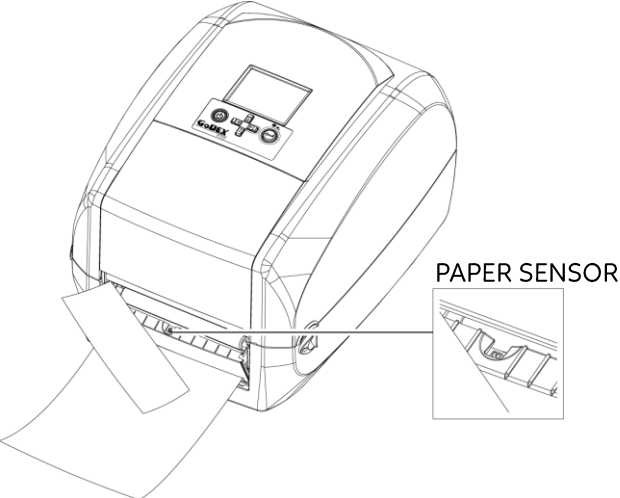


5. Press the FEED button to feed the label. The label will be peeled from the liner while it passes through the label dispenser.



Notice

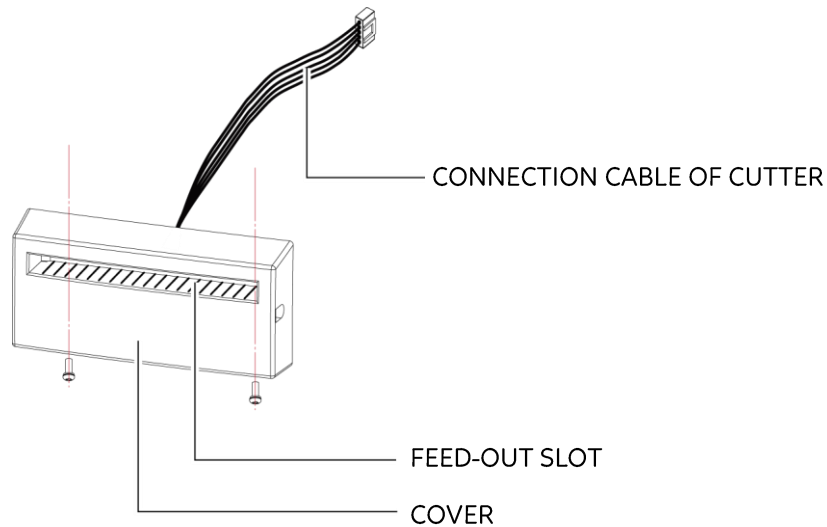
* There is a paper sensor on the Label Dispenser module. It will stop the printing if it is covered by label. Remove the last printed label and the printer will then continue to print next label.



5 Accessories

5.3 Installing the Cutter

The Overview of the Cutter

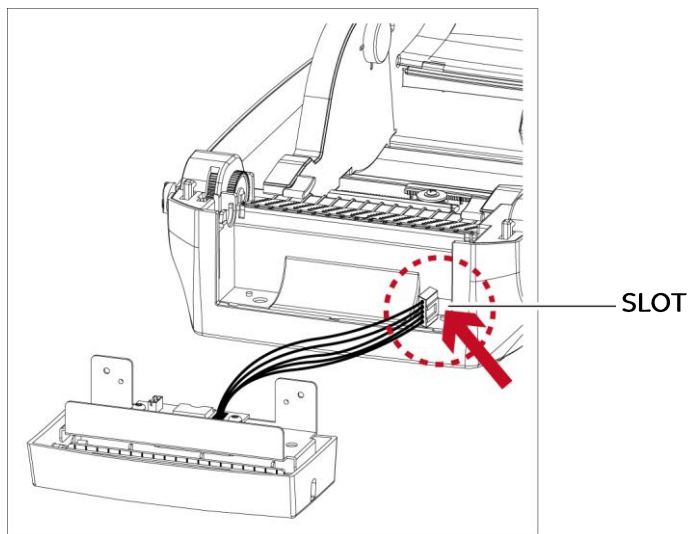


Preparation Steps

Please see the Section 5.1 Preparation Steps to complete the preparation steps before installing the cutter.

Installing the Cutter

1. Pass the connection cable through the slot of the printer.



Notice

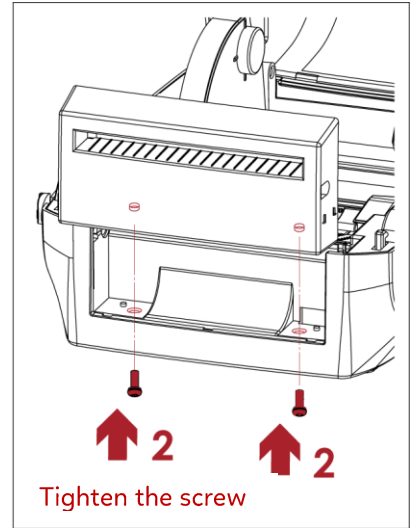
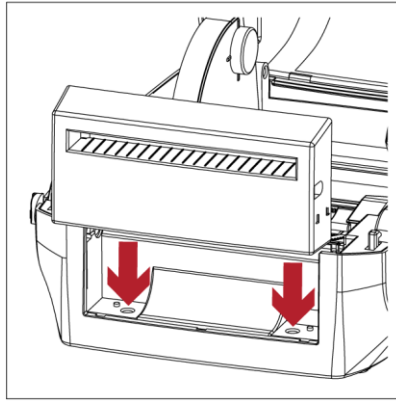
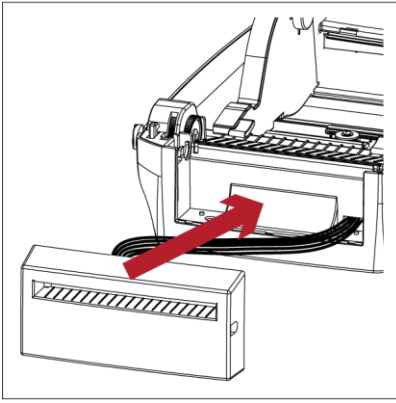
* Remember to switch off the printer before installing the cutter.

* Do not use to cut adhesive labels! Glue residue will be left on the cutter blade and impair its functioning. The cutter has a blade life of 400,000 cuts when using paper liner which is 200 μ m thick and 3 inches wide.

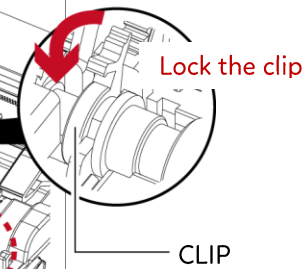
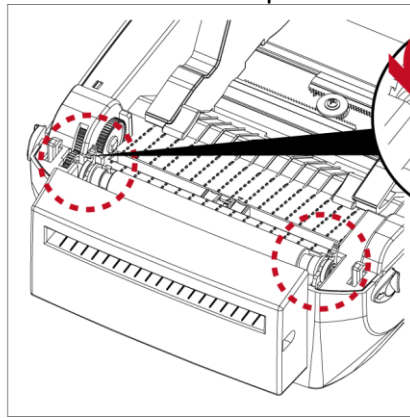
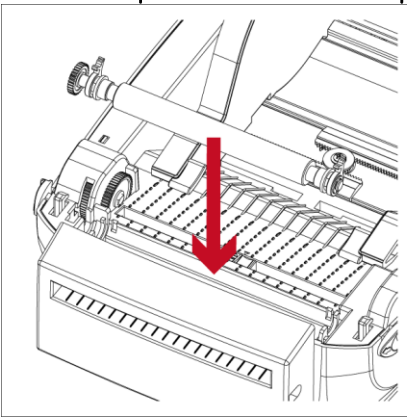
* You can cut paper with a max. width of 118mm.

* With the cutter installed, set the stop position in Golabel to 30, and the E value to 30.

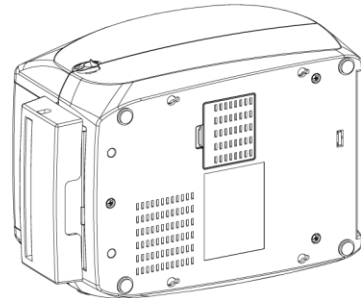
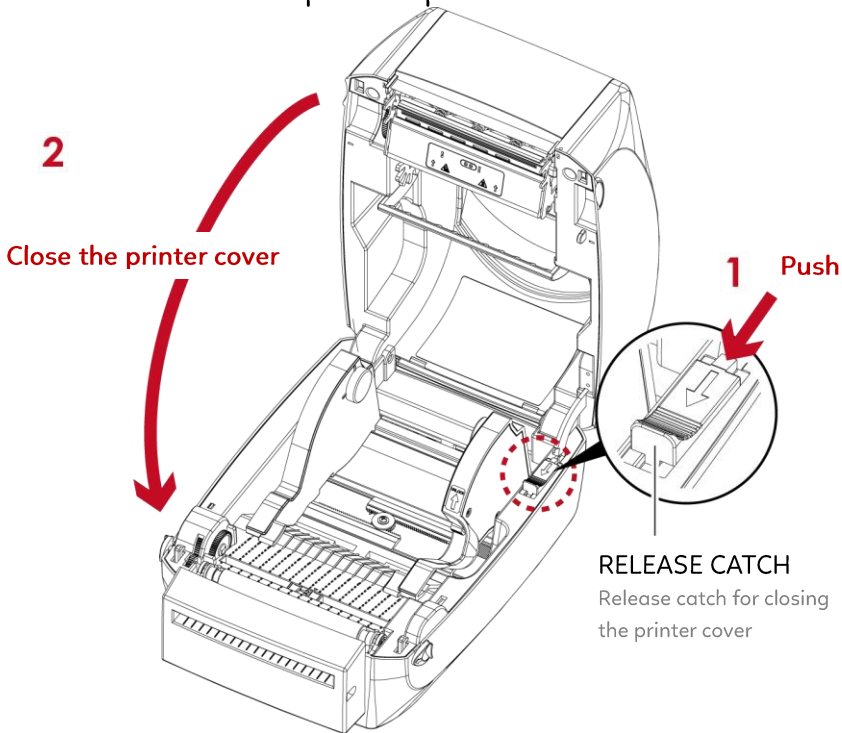
2. Place the cutter to align both holes of screw and then tighten the screws.



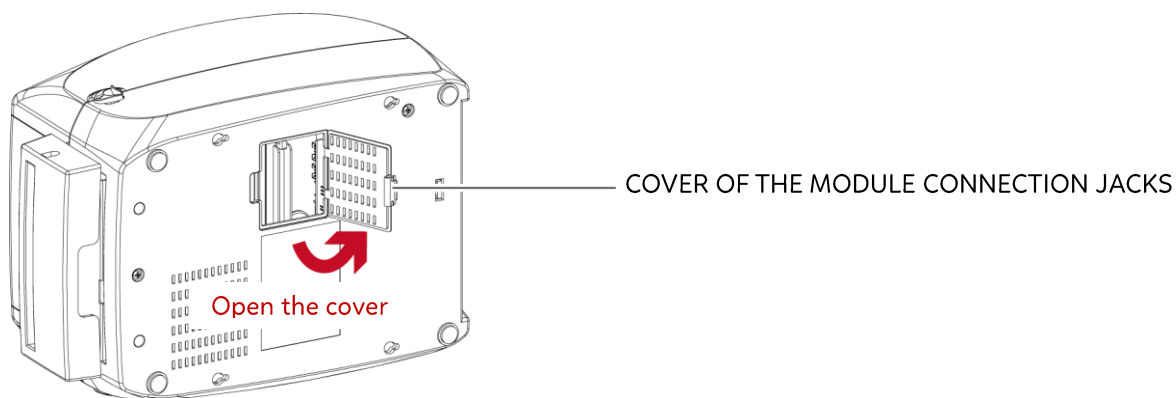
3. Place the platen back to the printer and lock the clips.



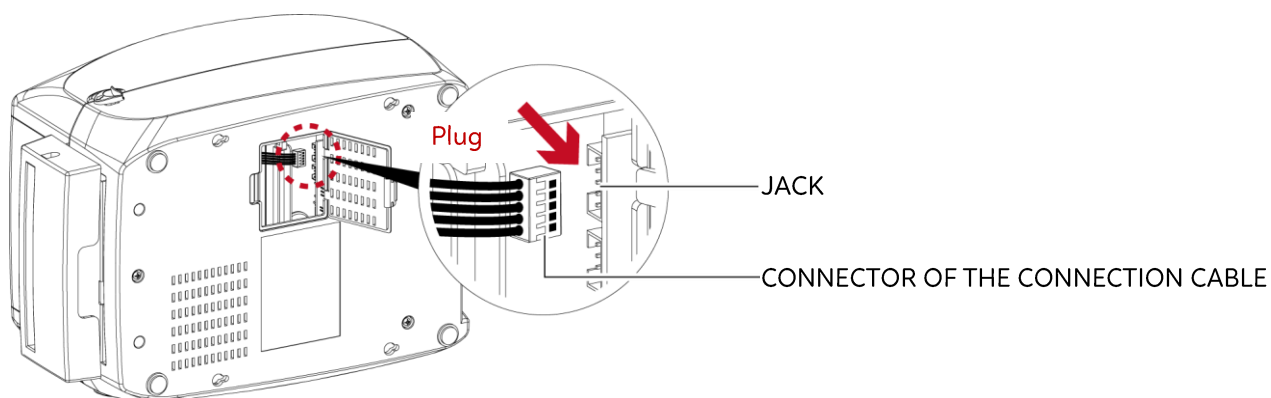
4. Close the printer cover.
Then to turn the printer upside down.



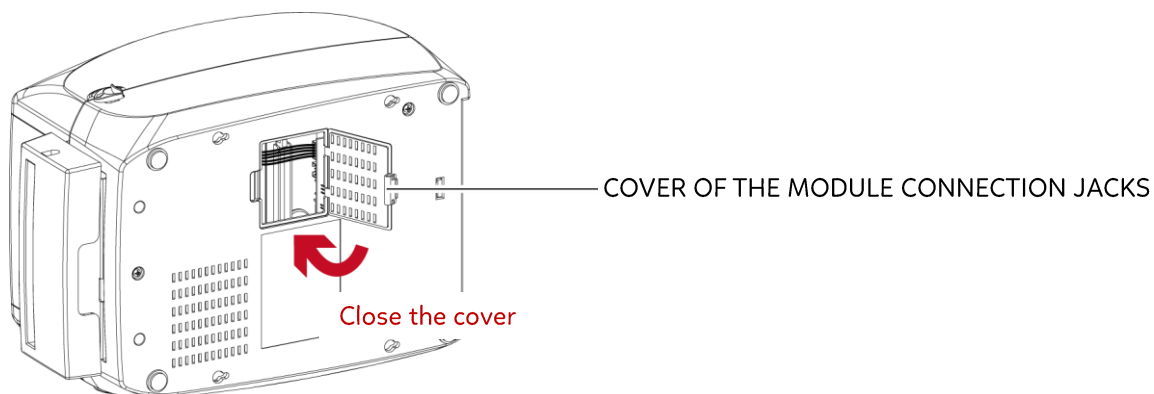
5. Open the cover on the bottom of printer.



6. Plug the connector for the cutter to the jack.



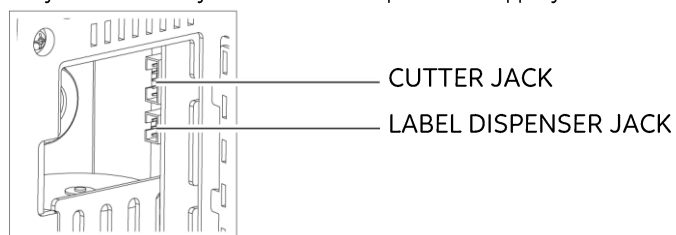
7. Close the cover of the module connection jacks.



Notice

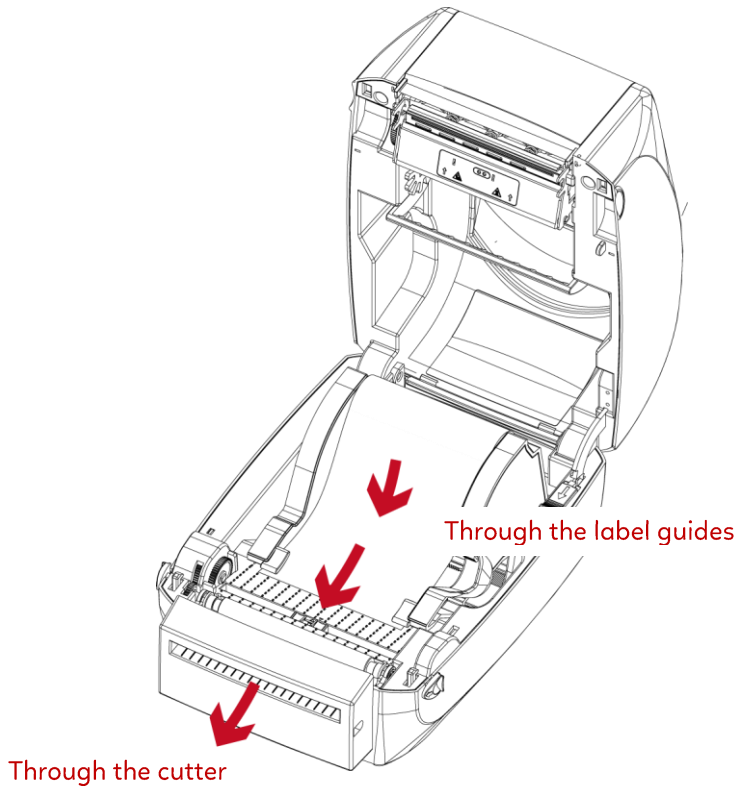
* The printer must be switched off, or the motherboard may be destroyed!

* There are 2 jacks : the lower jack for the label dispenser, the upper jack for the cutter.

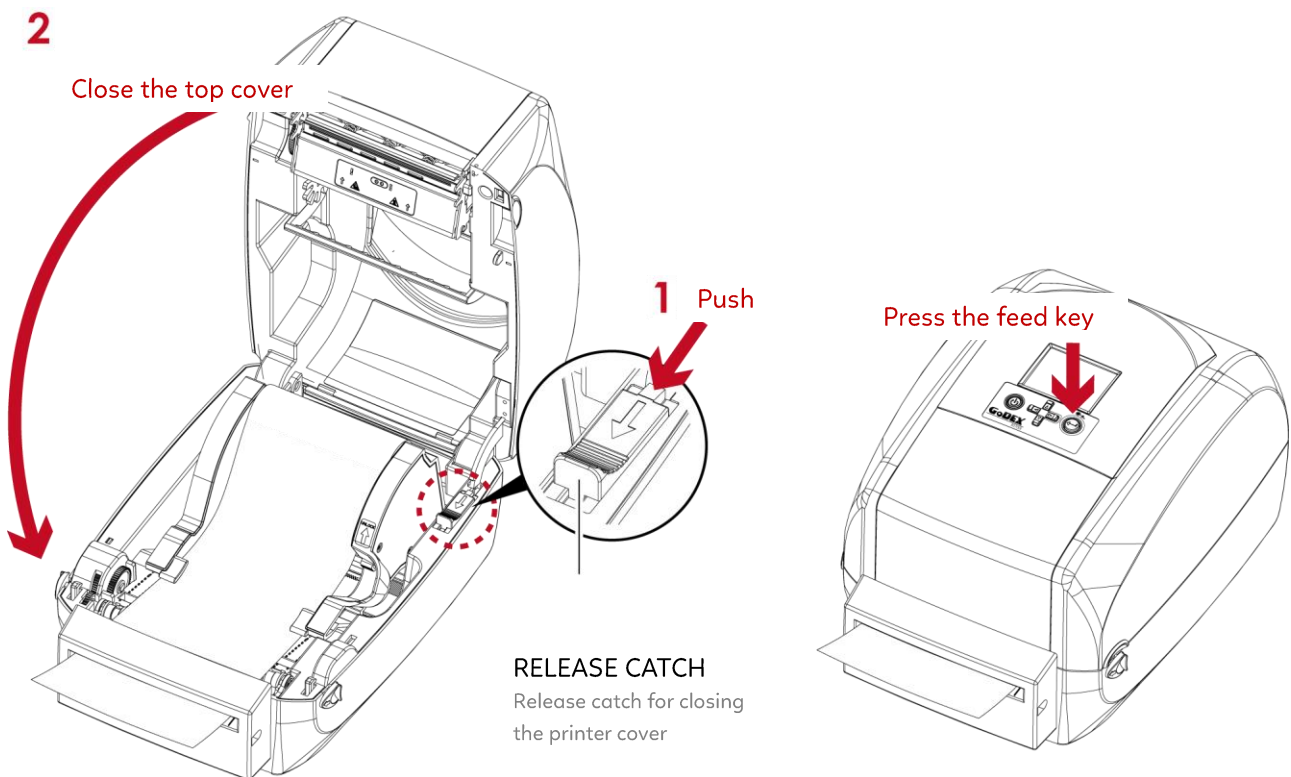


Installing the Label Roll Module on the Printer

1. Pass the labels through the guides and the cutter.



2. Close the top cover. To finish, press the feed button to set the label position.



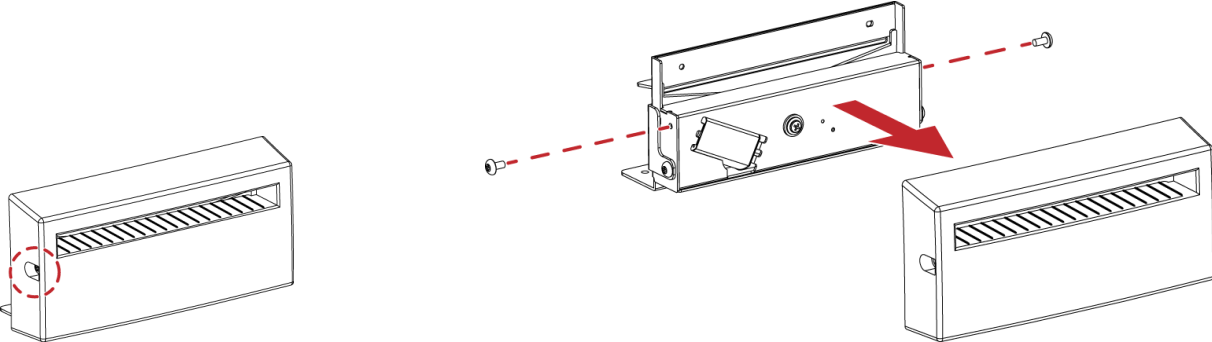
Notice

* We advise against using inside wound label stock.

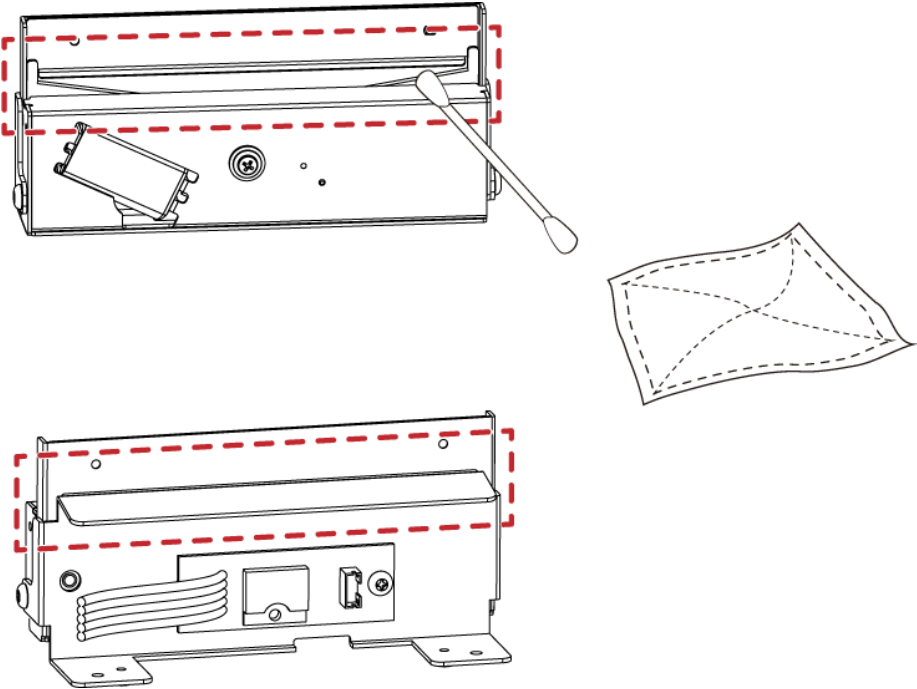
* Labels should be at least 30 mm high. When using the printer with the cutter, you should set the stop position (^E) to 30.

5.4 Cleaning Method

1.Remove the screws and cover.



2.Wipe with a cotton swab or dry lint-free cloth



6 Maintenance and Adjustment

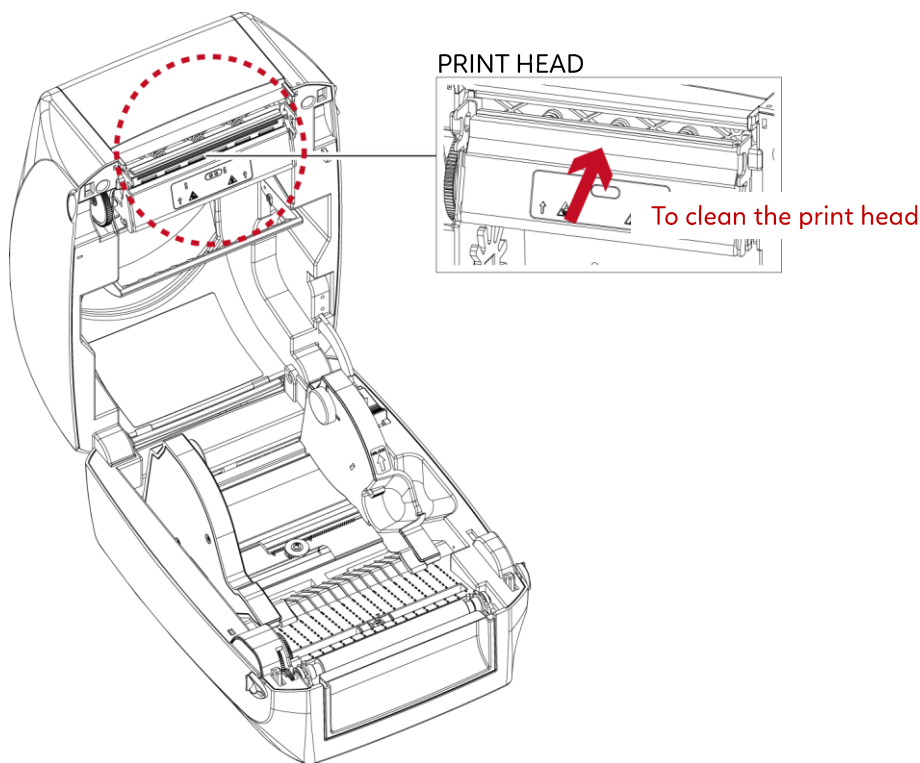
6.1 Cleaning the Print Head

Dirt on the print head or ribbon, or glue residue from the label stock may result in inadequate print quality. The printer cover must therefore always be closed during printing. Keeping dirt and dust away from the paper or labels ensures a good print quality and a longer lifespan of the print head.

Cleaning Steps

Here is how you clean the print head.

1. Turn off the printer.
2. Open the printer cover.
3. Remove the ribbon.
4. To remove any label residue or other dirt from the print head (see red arrow), please use a soft lint-free cloth dipped in alcohol.



Notice

* The print head should be cleaned once a week.

* Please make sure that there are no metal fragments or other hard particles on the soft cloth used to clean the print head.

6 Maintenance and Adjustment

6.2 Troubleshooting

Problem	Solution
The printer is switched on but the LCD screen does not light up.	<ul style="list-style-type: none"> ◆ Check the power supply. Please see the Section 2.4
The LCD screen show the notice icon and printing is interrupted.	<ul style="list-style-type: none"> ◆ Check the software settings (driver settings) or command codes. ◆ Look for the error alert in the table in Section 3.5 Error Alerts. ◆ Check whether the print mechanism is closed correctly. Please see the Section 3.5
The label stock passes through the printer but no image is printed.	<ul style="list-style-type: none"> ◆ Please make sure that the label stock is loaded the right way up and that it is suitable material. ◆ Choose the correct printer driver. ◆ Choose the correct label stock and a suitable printing mode.
The label stock jams during printing.	<ul style="list-style-type: none"> ◆ Clear the paper jam. Remove any label material left on the thermal print head and clean the print head using a soft lint-free cloth dipped in alcohol. Please see the Section 6.1
There is no printed image on some parts of the label.	<ul style="list-style-type: none"> ◆ Check whether any label material or ribbon is stuck to the thermal print head. ◆ Check for errors in the application software. ◆ Check whether the starting position has been set incorrectly. ◆ Check the ribbon for wrinkles.
There is no printed image on part of the label or the image is blurred.	<ul style="list-style-type: none"> ◆ Check the thermal print head for dust or other dirt. ◆ Use the internal “~T” command to check whether the thermal print head will carry out a complete print job. ◆ Check the quality of the print medium.
The printed image is positioned incorrectly.	<ul style="list-style-type: none"> ◆ Check whether there is paper or dust covering the sensor. ◆ Check whether the label stock is suitable. Contact your supplier. ◆ Check the paper guide settings.
A label is missed out during printing.	<ul style="list-style-type: none"> ◆ Check the label height setting. ◆ Check whether there is dust covering the sensor. ◆ Run the auto-detection function. Please see the Section 3.6
The printed image is blurred.	<ul style="list-style-type: none"> ◆ Check the darkness setting. ◆ Check the thermal print head for dust or dirt. Please see the Section 6.1
The cutter does not cut off the labels in a straight line.	<ul style="list-style-type: none"> ◆ Check whether the label stock is positioned straight.
The cutter does not cut off the labels completely.	<ul style="list-style-type: none"> ◆ Check whether the label is more than 0.2 mm thick.
When using the cutter, the labels are not fed through or cut off incorrectly.	<ul style="list-style-type: none"> ◆ Check whether the cutter has been correctly installed. ◆ Check whether the paper guides are functioning correctly.
The label dispenser is not functioning normally.	<ul style="list-style-type: none"> ◆ Check whether there is dust on the label dispenser. ◆ Check whether the label stock is positioned correctly.

Notice

* If any problems occur that are not described here, please contact your dealer.

APPENDIX

PRODUCT SPECIFICATIONS

Model		RT700i+	RT730i+
Print Method		Thermal Transfer / Direct Thermal	
Resolution		203dpi(8dots/mm)	300dpi(12dots/mm)
Print Speed		Up to 7 IPS(178mm/s)	5 IPS(127mm/s)
Print Width		4.25"(108mm)	4.16"(105.7mm)
Print Length		Min. 0.12"(3mm)**; Max. 279.53"(7100mm)	Min. 0.12"(3mm)**; Max. 125.98"(3200mm)
Processor		32 bit RISC CPU	
Memory	Flash	128MB	
	SDRAM	128MB	
Sensor Type		Adjustable reflective sensor(full range) Fixed transmissive sensor, central aligned	
Media	Types	Continuous form, gap labels, black mark sensing and punched hole; label length set by auto sensing or programming	
	Width	0.79" (20mm) ~ 4.65" (118mm)	
	Thickness	0.0024" (0.06 mm) Min.-0.008" (0.2 mm) Max.	
	Label Roll Diameter	Max. 5" (127mm)	
	Core Diameter	1" (25.4mm) ~ 1.5" (38.1mm)	
Ribbon	Types	Wax, wax/resin, resin	
	Length	981'(300m)	
	Width	Min. 1.18" – Max. 4.33" (30mm-118mm)	
	Ribbon Roll Diameter	Max. 2.67" (68mm)	
	Core Diameter	1" (25.4mm)	
Printer Language		EZPL, GEPL, GZPL, GDPL auto switch	
Software	Label Design Software	GoLabel (for EZPL only)	
	Management Tools	GoTools (Windows / Android) GoUtility (Windows)	
	APP	GoAPP (Android / iOS)	
Driver		Windows 7, Windows 8 & 8.1, Windows 10, Window11, Windows Server 2008 R2, 2012, 2012 R2, 2016, 2019, 2022, MAC, Linux	
SDK		Win CE, .NET, Windows 7, Windows 8 & 8.1, Windows 10, Windows 11, Android, Mac, iOS	
Resident Fonts	Bitmap fonts	6, 8, 10, 12, 14, 18, 24, 30, 16X26 and OCR A & B 0°, 90°, 180°, 270° rotatable, single characters 90°, 180°, 270° rotatable 8 times expandable in horizontal and vertical directions	
	Scalable fonts	(Bold / Italic / Underline) 0°, 90°, 180°, 270° rotatable Internal TTF Fonts x5 : Traditional Chinese, Simplified Chinese, Japanese, Korean, Western languages	
Download Fonts	Bitmap fonts	0°, 90°, 180°, 270° rotatable, single characters 0°, 90°, 180°, 270° rotatable	
	Asian fonts	16x16, 24x24. Traditional Chinese (BIG-5), Simplified Chinese(GB2312), Japanese (S-JIS), Korean (KS-X1001) 0°, 90°, 180°, 270° rotatable and 8 times expandable in horizontal and vertical directions	
Barcodes	1-D Bar codes	(Bold / Italic / Underline) 0°, 90°, 180°, 270° rotatable China Postal Code, Codabar, Code 11, Code 32, Code 39, Code 93, Code 128 (subset A, B, C), EAN-8/EAN-13 (with 2 & 5 digits extension), EAN 128, FIM, German Post Code, GS1 DataBar, HIBC, Industrial 2 of 5, Interleaved 2-of-5 (I 2 of 5), Interleaved 2-of-5 with Shipping Bearer Bars, ISBT-128, ITF 14, Japanese Postnet, Logmars, MSI, Postnet, Plessey, Planet 11 & 13 digit, RPS 128, Standard 2 of 5, Telepen, Matrix 2 of 5, UPC-A/UPC-E (with 2 or 5 digit extension), UCC/EAN-128 K-Mart, Random Weight and Pharmacode	
	2-D Bar codes	Aztec code, Code 49, Codablock F, Datamatrix code, MaxiCode, Micro PDF417, Micro QR code, PDF417, QR code, TLC 39, GS1 Composite, DotCode, Marco PDF 417	
Code Pages		Codepage 437, 737, 850, 851, 852, 855, 857, 860, 861, 862, 863, 865, 866, 869 Windows 1250, 1251, 1252, 1253, 1254, 1255, 1257 Unicode UTF8、UTF16BE、UTF16LE	
Graphics		Resident graphic file types are BMP and PCX, other graphic formats are downloadable from the software	
Interface		USB 2.0 (Type B) Serial port (RS-232) Ethernet 10/100 Mbps USB Host*3 (Type A)	
Control Panel		Color TFT LCD with navigation button Calibration button Control key: FEED Power on/off button	
Real Time Clock		Option	
Power		Auto Switching 100-240VAC, 50-60Hz	
Environment	Operation temperature	41°F - 104°F(5°C - 40°C)	
	Storage temperature	-4°F - 122°F (-20°C - 50°C)	
Humidity	Operation	30-85%, non-condensing	
	Storage	10-90%, non-condensing	
Agency Approvals		CE(EMC), FCC Class B, CB, cULus, ICES-003, UKCA, ENERGY STAR (The safety certification marks may be different depending on sales regions.)	

Dimension	Length	280mm (11")
	Width	215mm (8.5")
	Height	186mm (7.3")
Weight	2.6kg (5.73 lbs), excluding consumables	
Options	Cutter module (Dealer Install) BT (Dealer Install) Wireless LAN (Dealer Install) WiFi and BT (BLE 5.0) combo module (Dealer Install) External label unwind stand External label rewinder Real time clock (RTC)	

Notice

- * Specifications are subject to change without notice. All company and/or product names are trademarks and/or registered trademarks of their respective owners.
- * Minimum print height and maximum print speed specification compliance can be dependent on non-standard material variables such as label type, thickness, spacing, liner construction, etc. Godex is pleased to test non-standard materials for minimum print height and maximum print speed capability.
- * Due to RT700i+W Series WiFi module message communication through LAN port, please make sure WiFi module has been removed when you want to use LAN port.
- * The cutter is an optional accessory. If the cutter is installed, it is not suitable for children to approach.

APPENDIX

INTERFACE

Pinout Description

• USB

Connector : Type B

Pin NO.	1	2	3	4
Function	VBUS	D-	D+	GND

• Serial Port

Default settings : Baud rate 9600, no parity, 8 data bits, 1 stop bit, XON/XOFF protocol and RTS/CTS

RS232 Housing(9-pin to 9-pin)			
DB9 Socket			DB9 Plug
-	1	1	+5V, max 500mA
RXD	2	2	TXD
TXD	3	3	RXD
DTR	4	4	N/C
GND	5	5	GND
DSR	6	6	RTS
RTS	7	7	CTS
CTS	8	8	RTS
RI	9	9	N/C
Computer			Printer

Notice

* The total current to the serial port may not exceed 500mA.

APPENDIX

FILE MANIPULATION WHEN USING USB STICK

File Manipulation

The files in both devices (USB memory stick and printer internal Flash memory) are able to copy and move by the commands “~MCPY” and “MMOV” that sends from GoLabel on a PC via either connection - USB or Ethernet ports.

• Copy

Syntax	~MCPY,s:o.x,d:o.x
Description	Copy file from USB memory stick to Flash memory, or vice-versa
Parameter	s = source device of stored object; • “D” for USB memory stick; “F” for internal Flash memory d = destination device of stored object • “D” for USB memory stick; “F” for internal Flash memory o = object name (file name); the name “o” is substituted for “*” x = extension (file type), the type “x” is substituted by “*”, or following either one: D= database, A= Asia font, C= TTF font, E= Bit-Mapped font, F= label format, G= graphic, S= serial file, T= text, B= Unicode Table.
Example	~MCPY,F:*F,D:*F (Copy entire “Label Format” files from Flash memory to USB memory stick) ~MCPY,D:*G,F:*G (Copy entire “Graphic” files from USB memory stick to Flash Memory) ~MCPY,D:*F,* (Copy all object files from USB memory stick to Flash Memory)

• Move

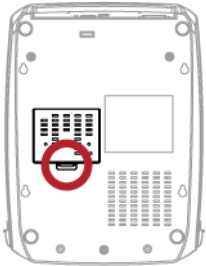
Syntax	~MMOV,s:o.x,d:o.x
Description	Move files from USB memory stick to Flash memory or vice-versa
Parameter	s = source device of stored object; • “D” for USB memory stick; “F” for internal Flash memory d = destination device of stored object • “D” for USB memory stick; “F” for internal Flash memory o = object name (file name); the name “o” is substituted for “*” x = extension (file type), the type “x” is substituted by “*”, or following either one: D= database, A= Asia font, C= TTF font, E= Bit-Mapped font, F= label format, G= graphic, S= serial file, T= text, B= Unicode Table.
Example	~MMOV,F:*F,D:*F (Move entire “Label Format” files from Flash memory to USB memory stick) ~MMOV,D:*G,F:*G (Move entire “Graphic” files from USB memory stick to Flash Memory) ~MMOV,D:*F,* (Move all object files from USB memory stick to Flash Memory)

APPENDIX

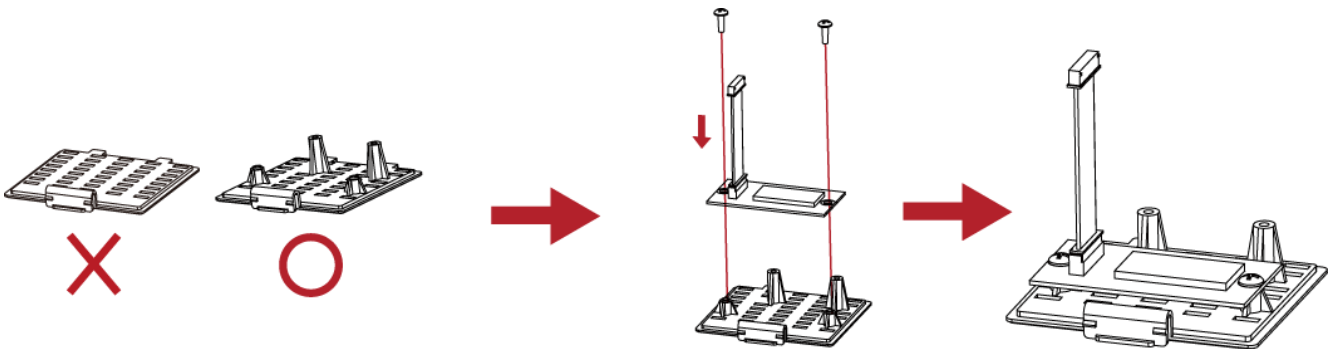
BT Module

1.1 BT Module Installation

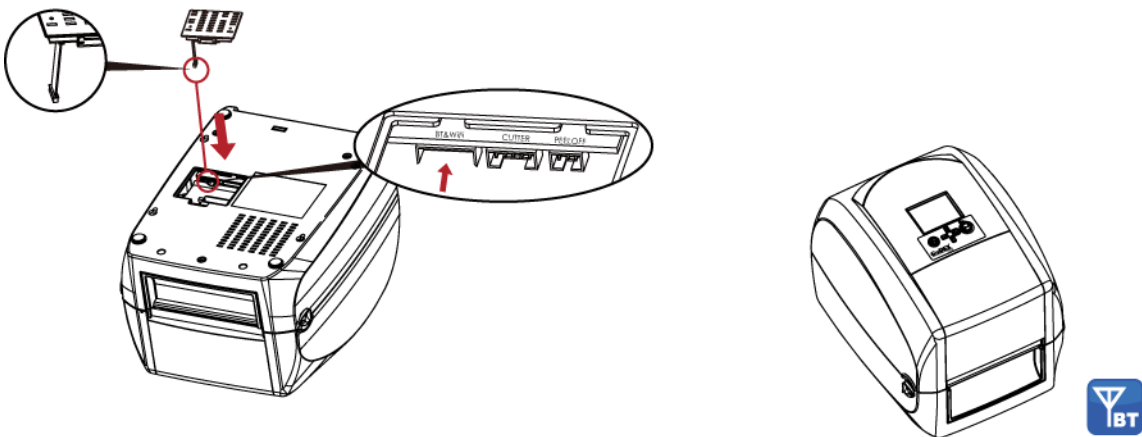
Step 1.



Step 2.



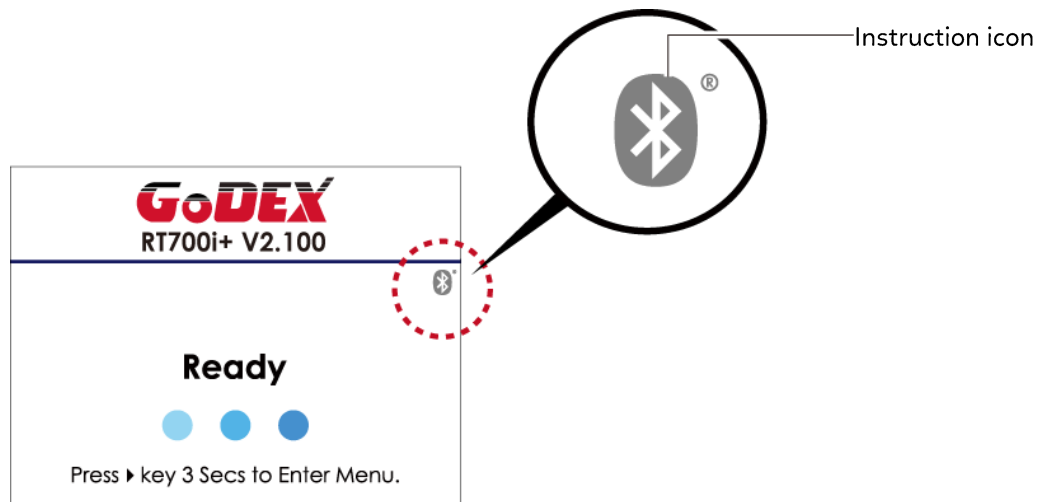
Step 3.



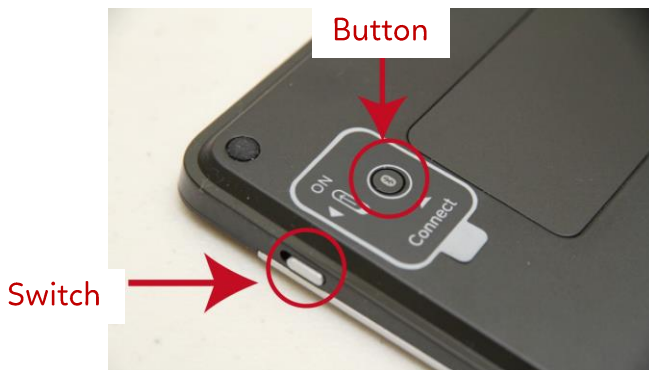
*Note : If the version of BT module is 4.0, after installed the module, please use GoLabel to send the command (^XSET,EXTERNCARDMODE,8) to make sure the BT function works normally.
However, if you need to switch back to 2.1 version, please re-send the command (^XSET,EXTERNCARDMODE,255) to ensure the correct functionality.

1.2 Work with Logitech K810 Keyboard

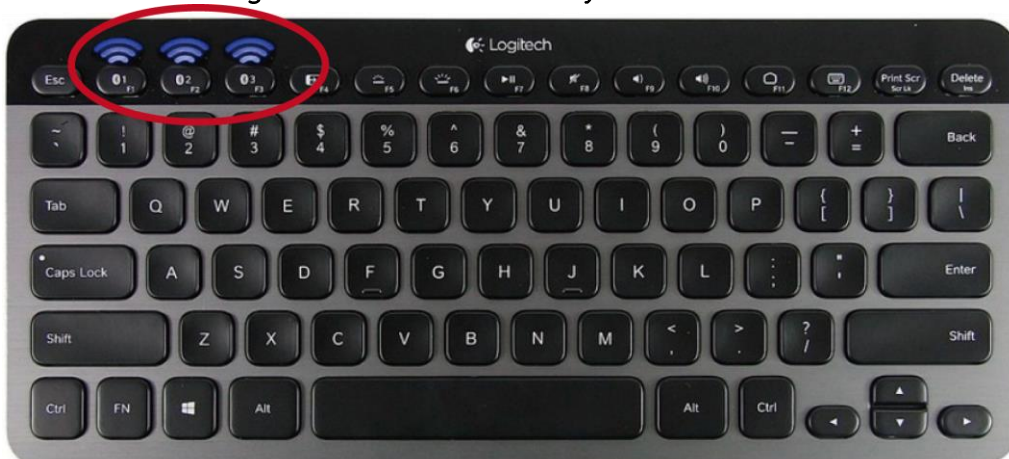
After install BT2.4G Module,
the icon will be appear on LCD display.



Connect printer and wireless keyboard
Turn on the switch and push the Connect Button.



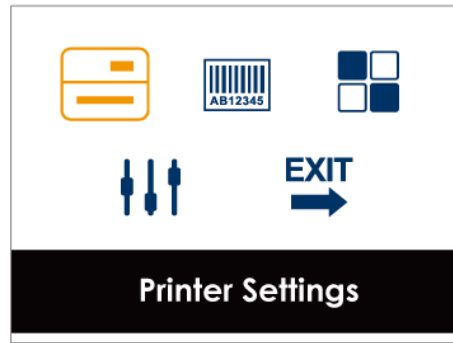
The indicators are flashing and can be detected by wireless.



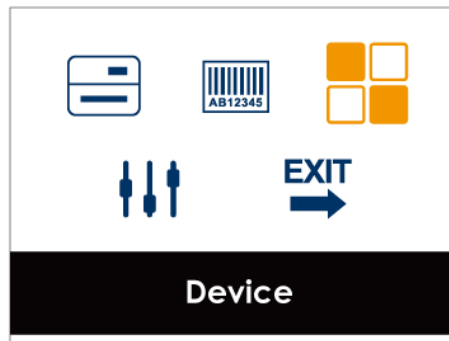
Notice

- * Different operation with different wireless keyboard. Please refer to wireless keyboard user manual.
- * There have pin code default value is 9200 of K810 if user change SSP setting from enable to disable the printer will be asked to key in pin code.

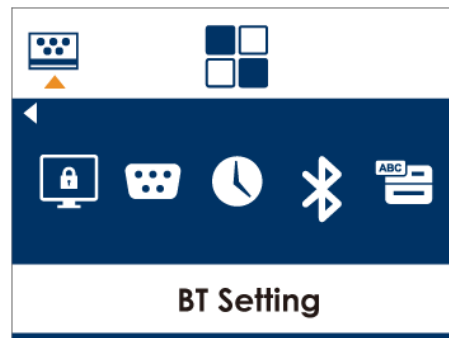
Enter Main page



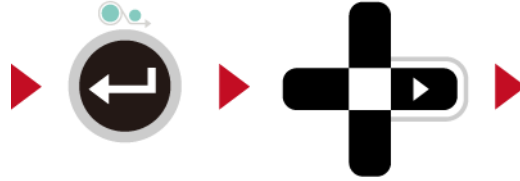
Select "Device"



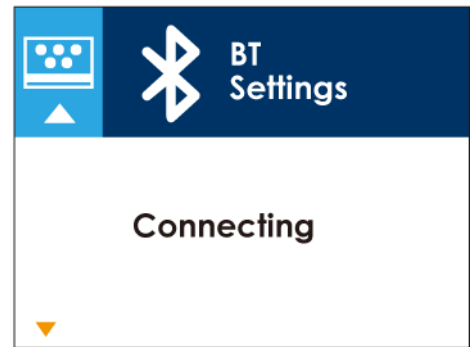
Enter "BT2.4G Setting"



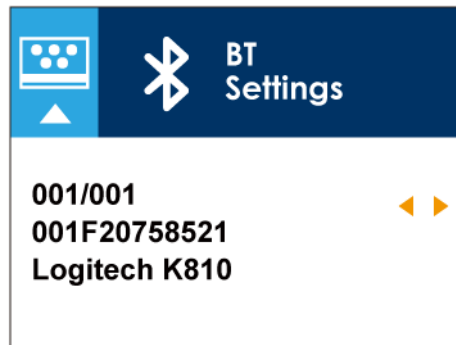
Enter "Search Devices"



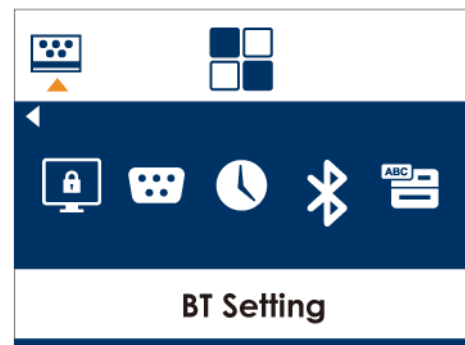
Press ▼ to scan
Bluetooth devices



Available devices found



Press FEED to save the device
and return to previous



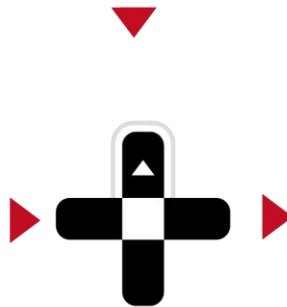
Printer is connecting to K810 keyboard



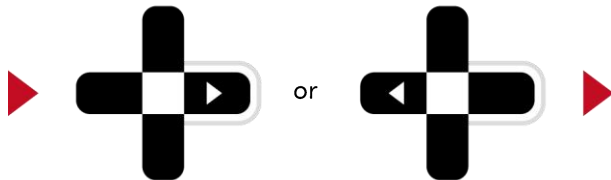
Wait a second, keyboard shows one of indicator is flashing then it will connect successfully



Press ▲ button back to SETTING PAGES



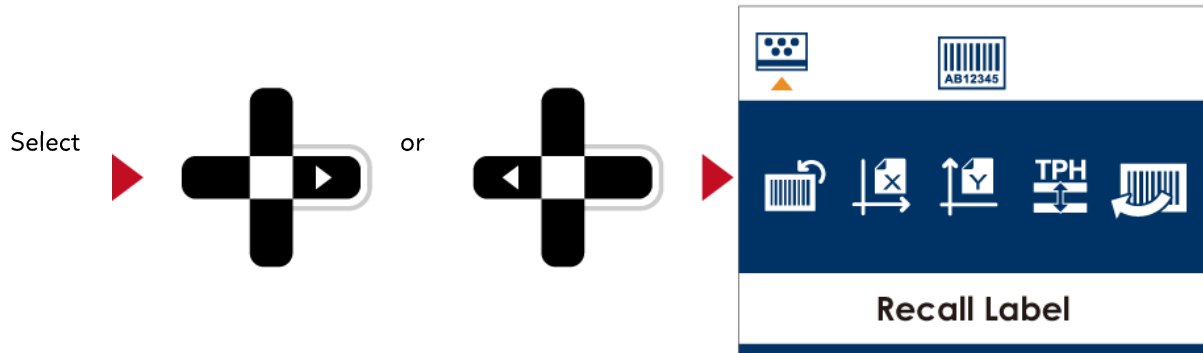
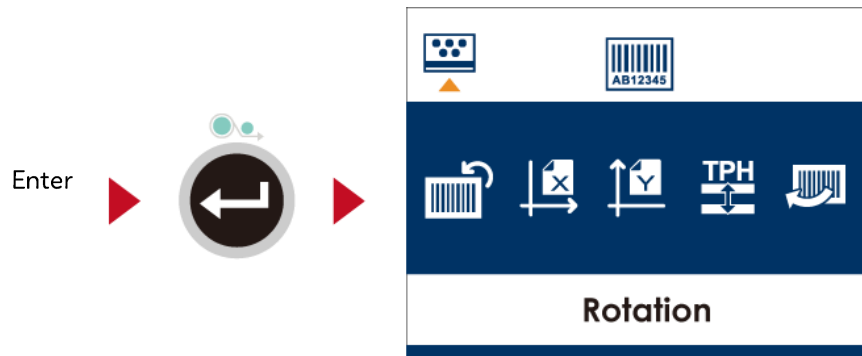
Select



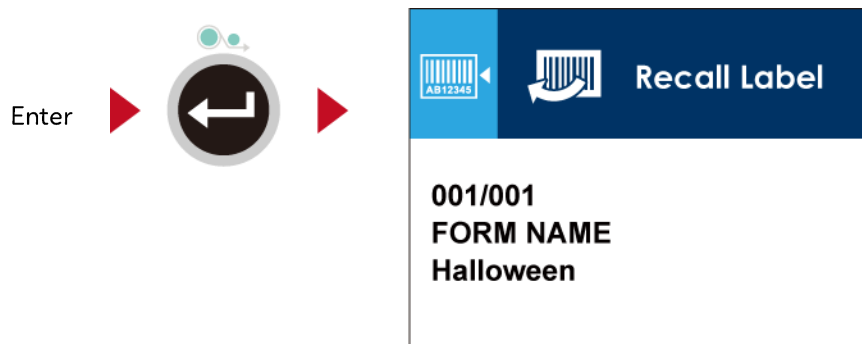
Notice

* The Wireless icon on LCD display will be turning from gray to blue when devices connect successfully.





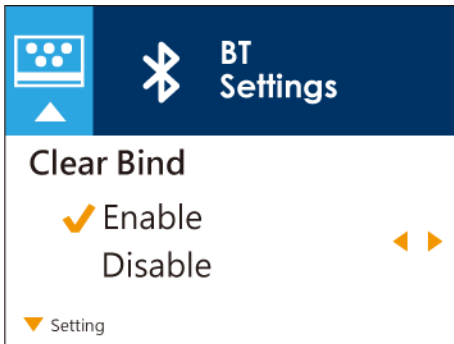
Enter Recall Label can use keyboard for standalone function.



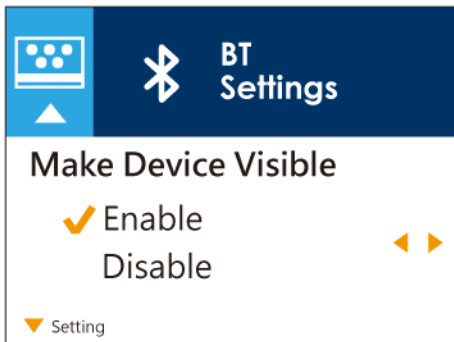
Notice

* Back to MAIN PAGE screen and press FN+F1 also can use standalone function.

1.3 Functions



The default of Clear Bind is Disable. When enable this function, it will clear up the saved connection of wireless device then come back to Disable.

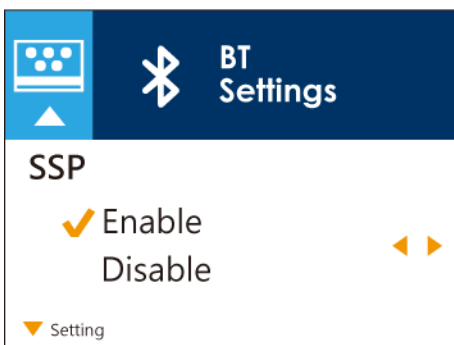


Enable: Printer can be detected by wireless device.

Disable: Printer cannot be detected by wireless device.

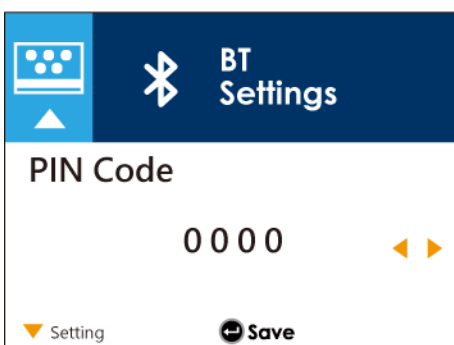
* The default of Make Device Visible is Disable.

Printer can be detected during 120 sec.



Secure Simple Pairing. The default is Enable.

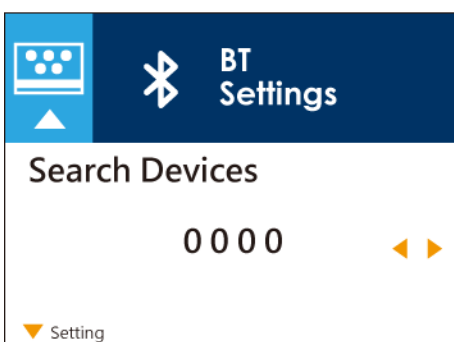
When connect successful, the setting of Make Device Visible, SSP and PIN Code cannot be changed. They only can be changed after Clear Bind.



Password for connect printer and wireless device.

When connect successful, the PIN Code only can be changed after Clear Bind.

The default of PIN Code is "0000".



Search Device only available when BT2.4G function was enabled.

Press FEED to search wireless devices.

LCD will display all of available devices.

1. Only supports SPP & HID Profile.

2. Alphanumeric only

3. Maximum 16- device can be displayed

* When connect successful, needs to disconnect before perform this function.

APPENDIX

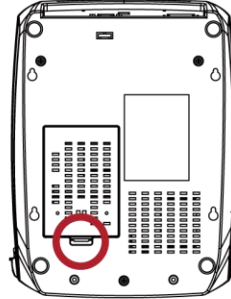
WiFi Printer Server Module Installation - Only for RT700i+W Series

1.1 WiFi Printer Server Module Installation

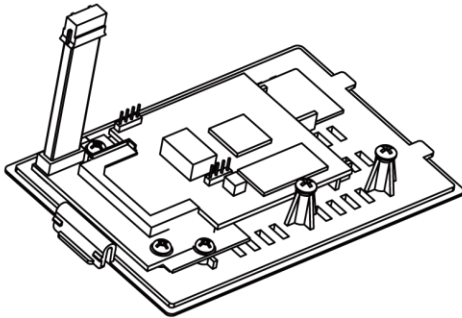
Step 1.



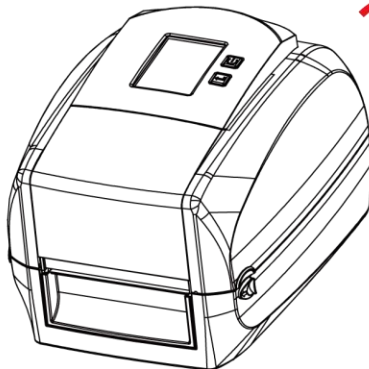
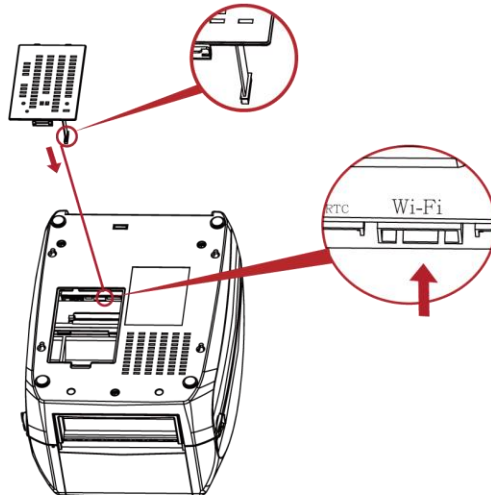
Step 2.



Step 3.



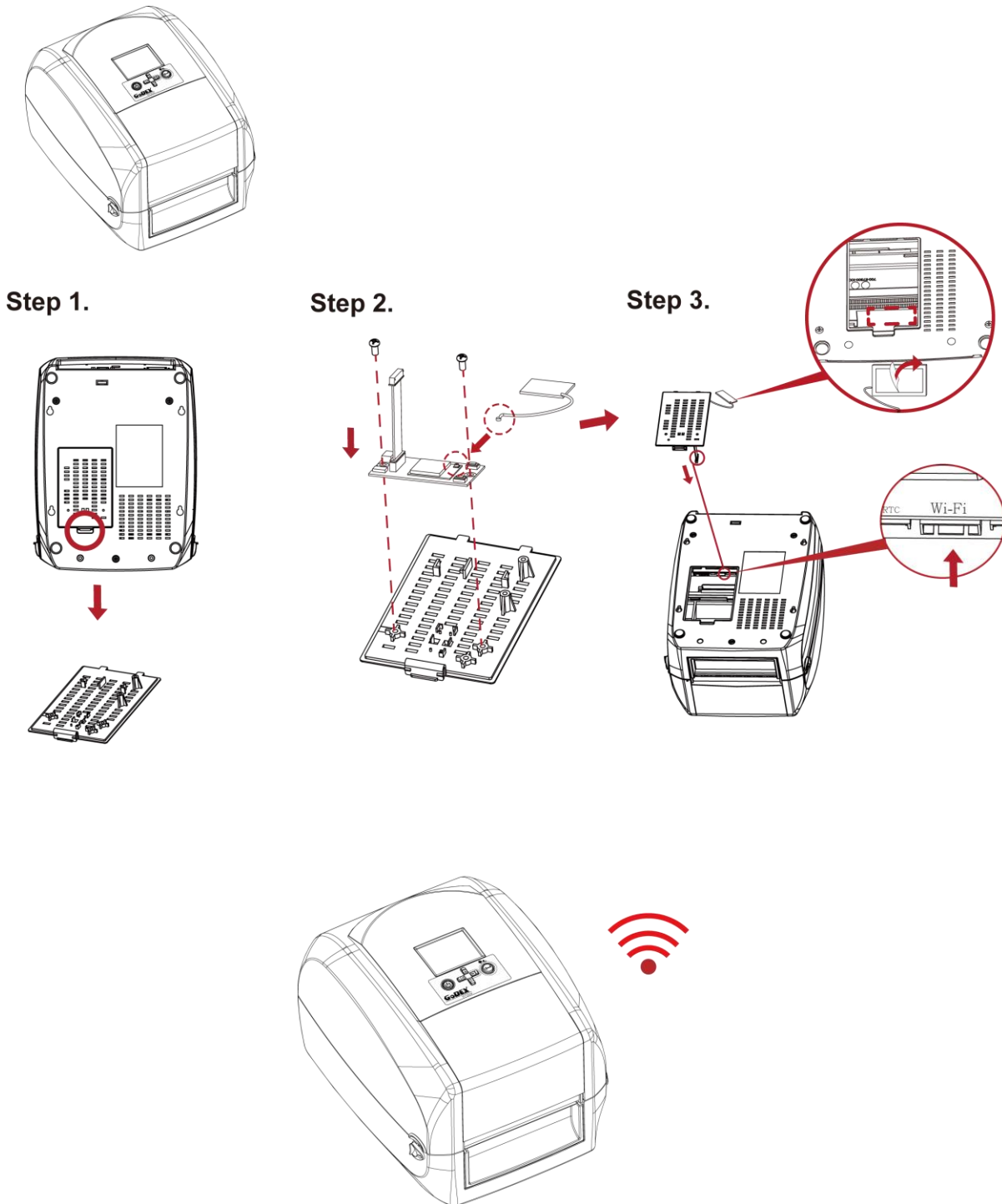
* WiFi Module



APPENDIX

WiFi Module Installation - Only for RT700i+W Series

RTL8711AM



* Due to RT700i+W Series WiFi module message communication through LAN port, please make sure WiFi module has been removed when you want to use LAN port.

APPENDIX

WiFi Printer Server Module Installation

Check the Wireless Access Point Setting Value

Connect Wireless Module to Wireless Access Point, and then connect the Module to the Mobile phones or computers through network.

About the parameters of wireless access point, please refer to the figure below (Example: D-Link AP)

The image shows a screenshot of a wireless network settings page. The page is divided into several sections: NETWORK SETTINGS, WIRELESS NETWORK SETTINGS, WIRELESS SECURITY MODE, WPA, and PRE-SHARED KEY. Red boxes and arrows highlight specific fields: 'Wireless Network Name' (RT700iW) is labeled 'SSID', 'WPA Mode' (WPA2 only) is labeled 'Security', and the 'Pre-Shared Key' field is labeled 'PRE-SHARED KEY'. The 'Wireless Network Name' field is also annotated with '(Also called the SSID)'. The 'WPA Mode' field is annotated with 'Security'. The 'Pre-Shared Key' field is annotated with 'PRE-SHARED KEY'. The 'Wireless Network Name' field is also annotated with '(Also called the SSID)'. The 'WPA Mode' field is annotated with 'Security'. The 'Pre-Shared Key' field is annotated with 'PRE-SHARED KEY'.

changes made on this section may also need to be duplicated on your Wireless Client.

Save Settings Don't Save Settings

WIRELESS NETWORK SETTINGS

Enable Wireless : Always Add New

Wireless Network Name : RT700iW (Also called the SSID) ← SSID

802.11 Band : 2.4GHz 5GHz

802.11 Mode : Mixed 802.11n, 802.11g and 802.11b

Enable Auto Channel Scan :

Wireless Channel : 2.437 GHz - CH 6

Transmission Rate : Best (automatic) (Mbit/s)

Channel Width : 20 MHz

Visibility Status : Visible Invisible

WIRELESS SECURITY MODE

To protect your privacy you can configure wireless security features. This device supports three wireless security modes, including WEP, WPA-Personal, and WPA-Enterprise. WEP is the original wireless encryption standard. WPA provides a higher level of security. WPA-Personal does not require an authentication server. The WPA-Enterprise option requires an external RADIUS server.

Security Mode : WPA-Personal

WPA

Use WPA or WPA2 mode to achieve a balance of strong security and best compatibility. This mode uses WPA for legacy clients while maintaining higher security with stations that are WPA2 capable. Also the strongest cipher that the client supports will be used. For best security, use WPA2 Only mode. This mode uses AES(CCMP) cipher and legacy stations are not allowed access with WPA security. For maximum compatibility, use WPA Only. This mode uses TKIP cipher. Some gaming and legacy devices work only in this mode.

To achieve better wireless performance use WPA2 Only security mode (or in other words AES cipher).

WPA Mode : WPA2 only ← Security

Cipher Type : AES

Group Key Update Interval : (seconds)

PRE-SHARED KEY

Enter an 8- to 63-character alphanumeric pass-phrase. For good security it should be of ample length and should not be a commonly known phrase.

Pre-Shared Key : ← PRE-SHARED KEY

APPENDIX



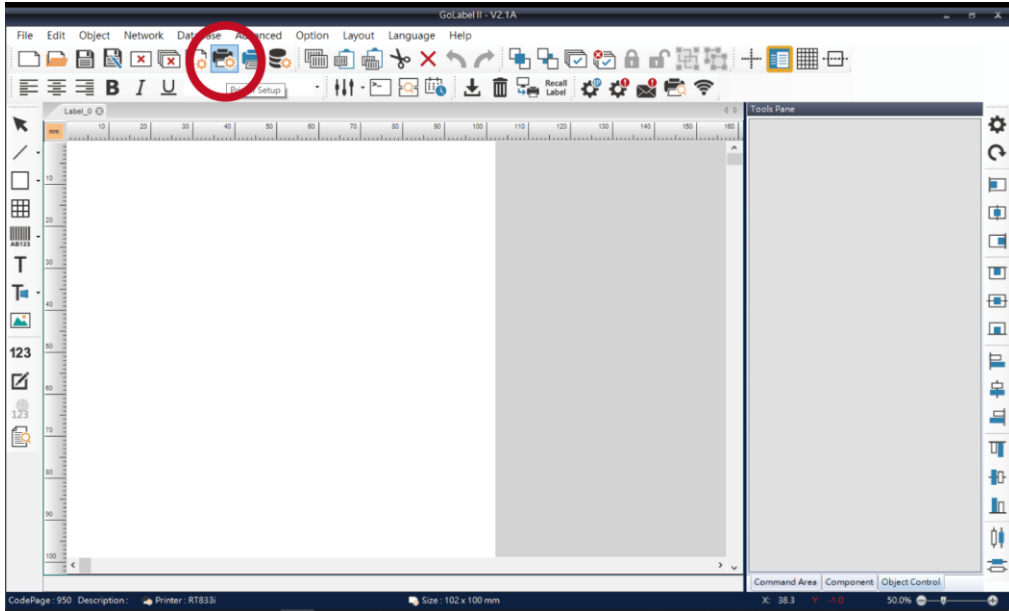
Wi-Fi Printer Server Module Installation – (Quick Setting)

* Quick setting only supports GoLabel 1.15K and Arm 7 (FW1.100)

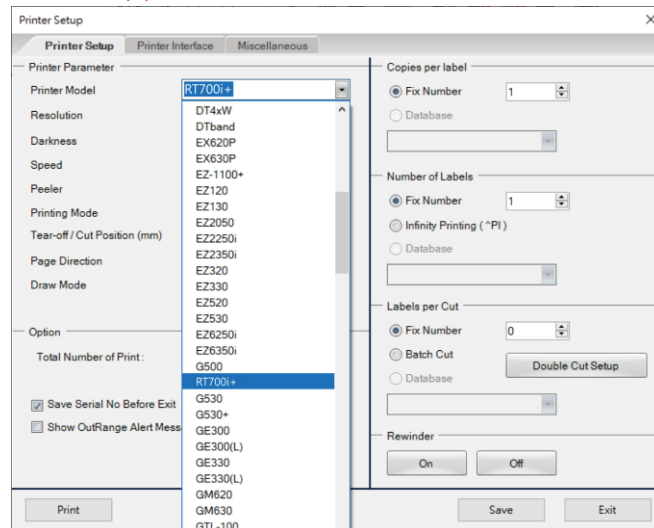
Or Arm 9 (FW2.00A) or higher version

Set up wireless network through GoDEX WiFi tool

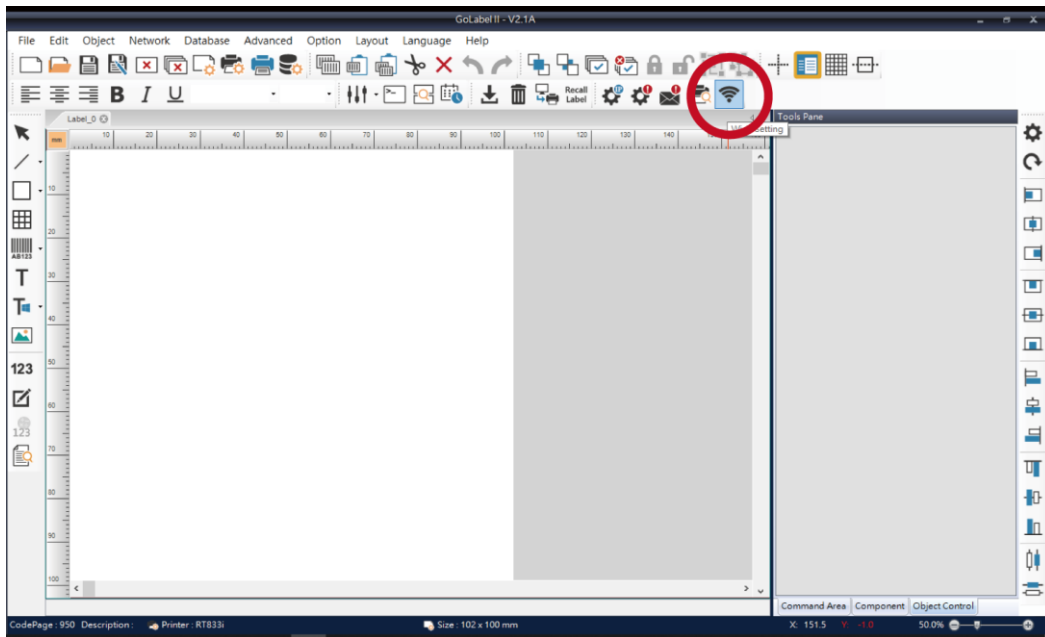
1. Turn on the printer, connect printer and computer by USB cable.
2. Start GoLabel.
3. “Generic” → “Printer Setup”.



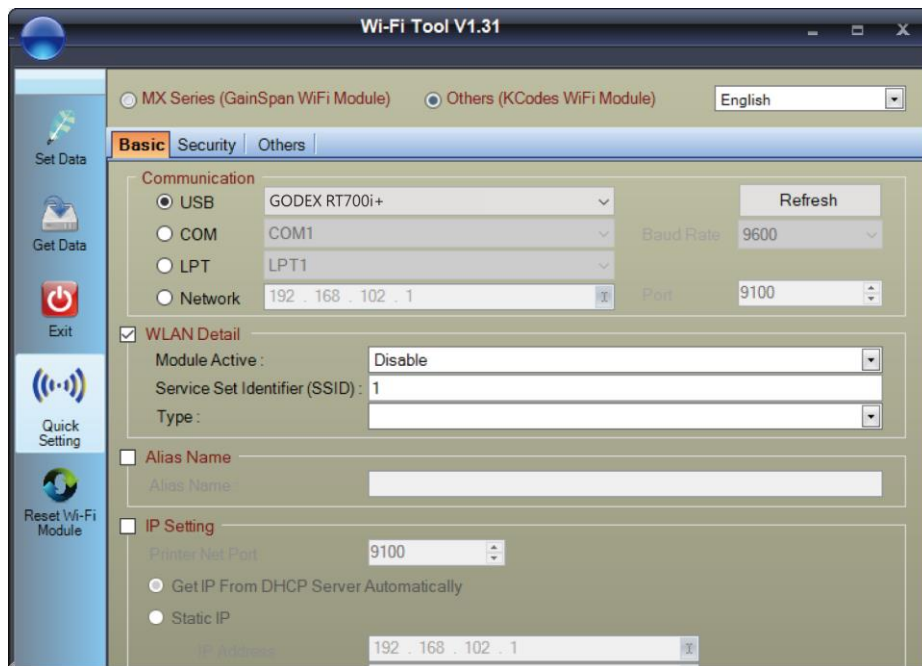
4. Select printer model (Wi-Fi supported models).



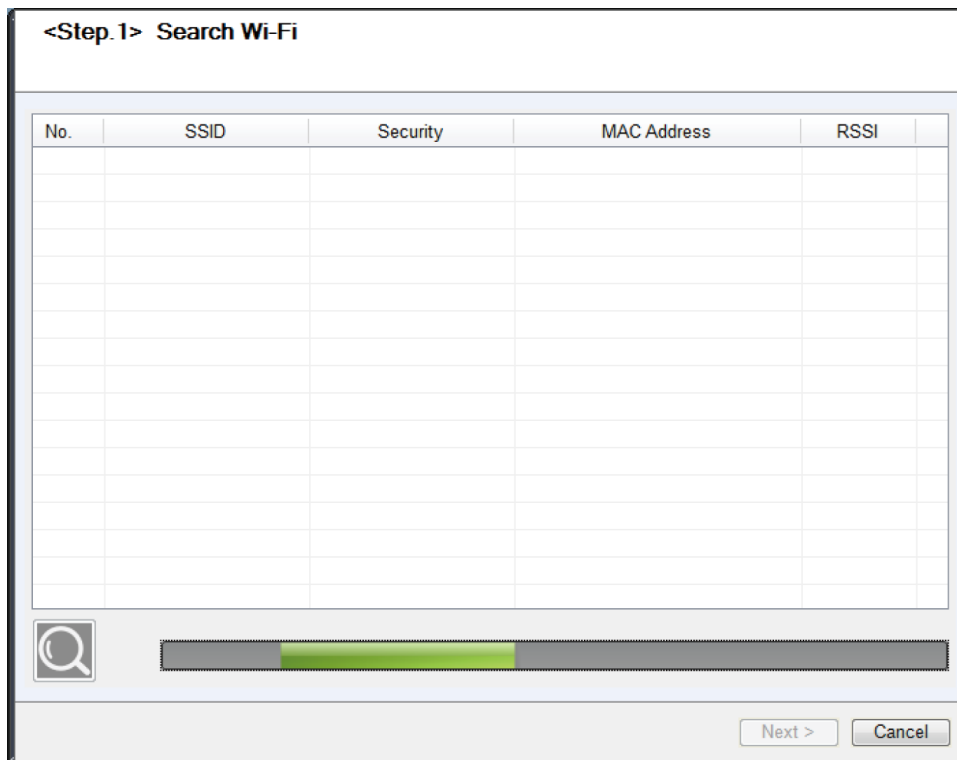
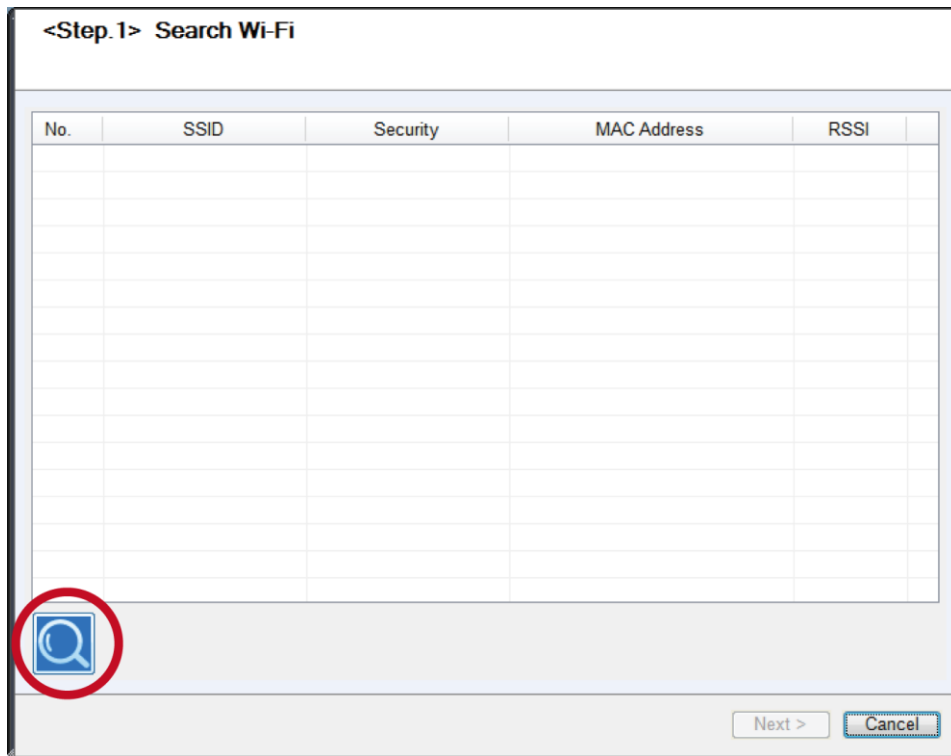
5. Click "WiFi Setting" icon.



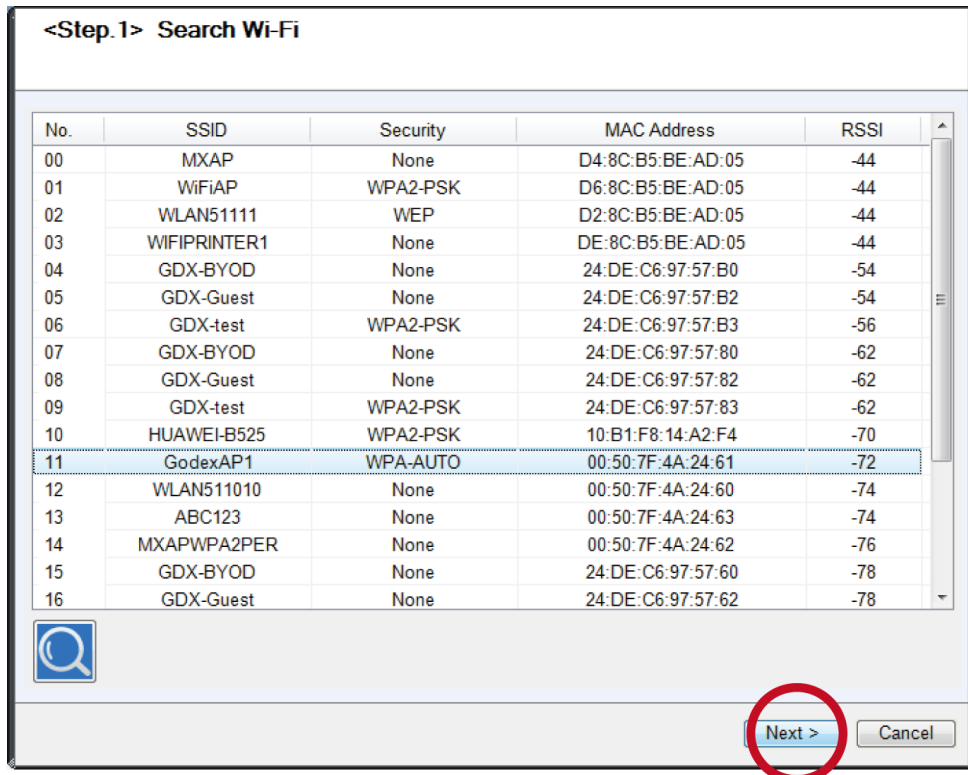
6. Click "Quick Setting" icon.



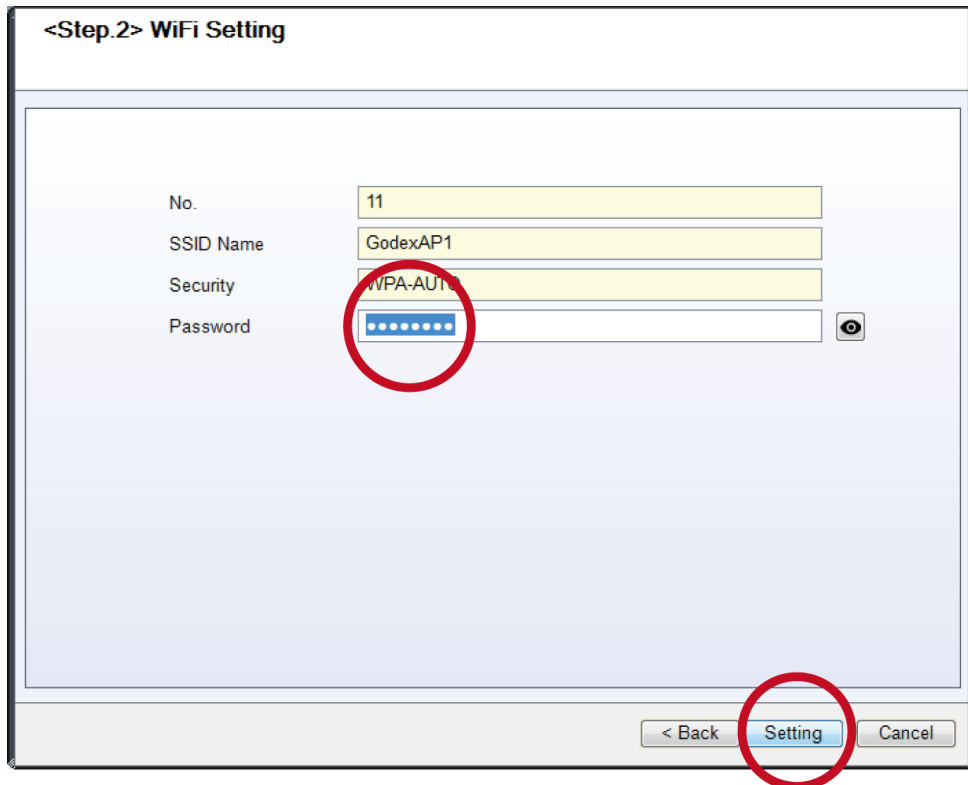
7. Click the Search button.



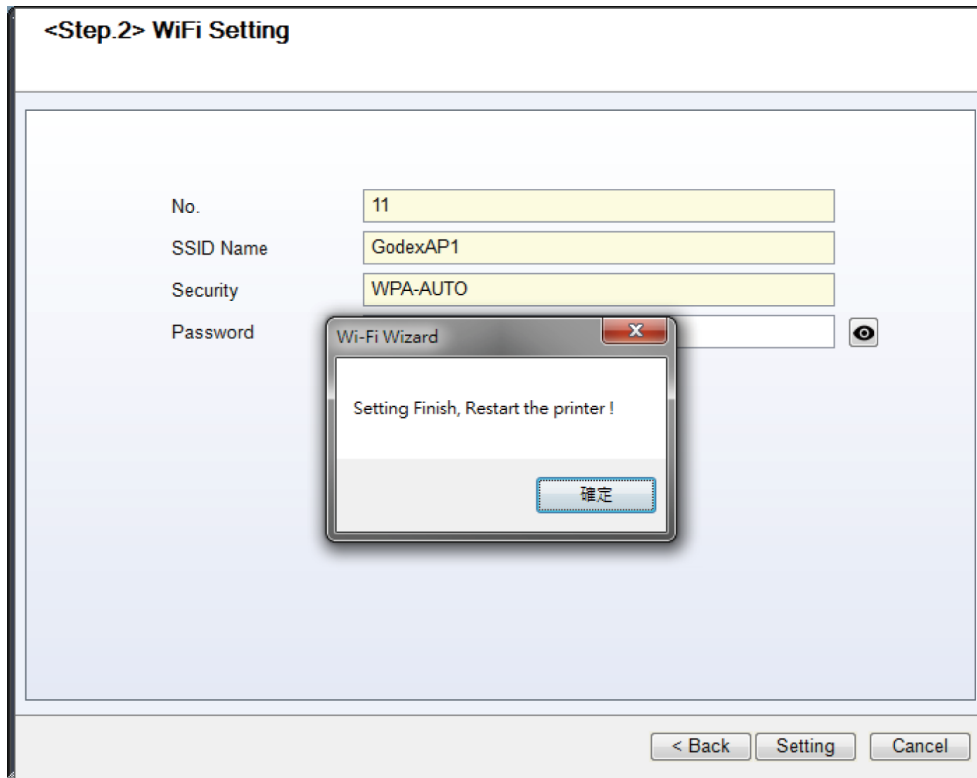
8. Select server and click **next** button.



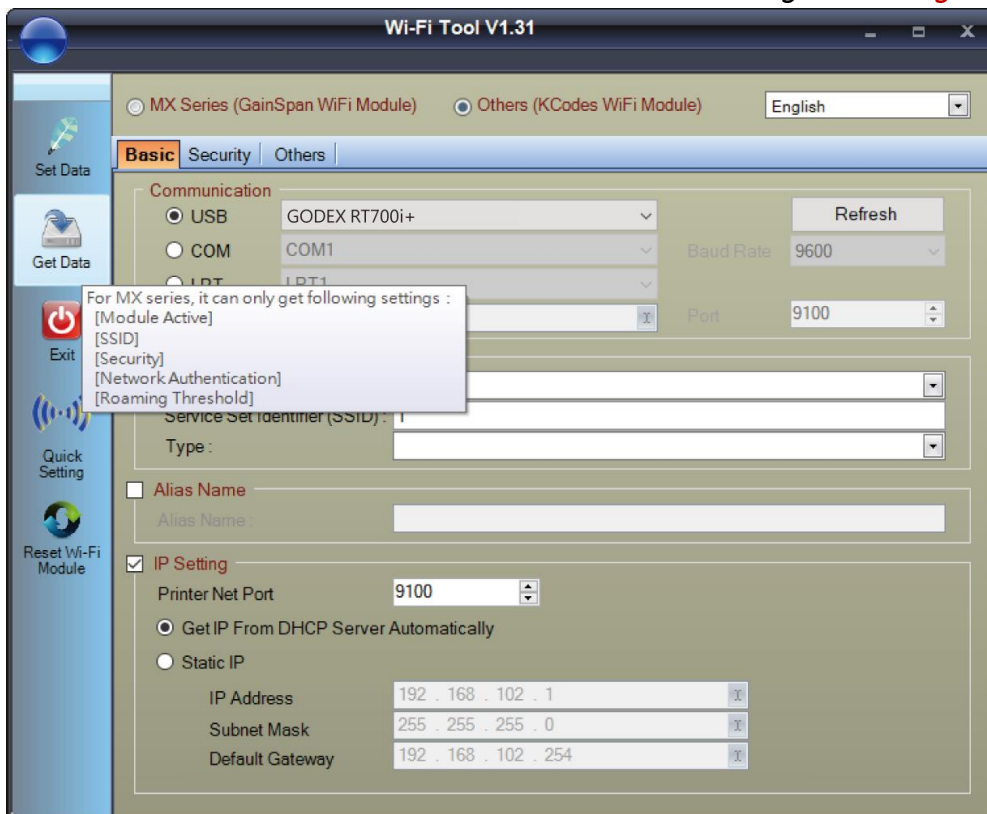
9. Enter the **password** set on the server side and click the "Setting" button.



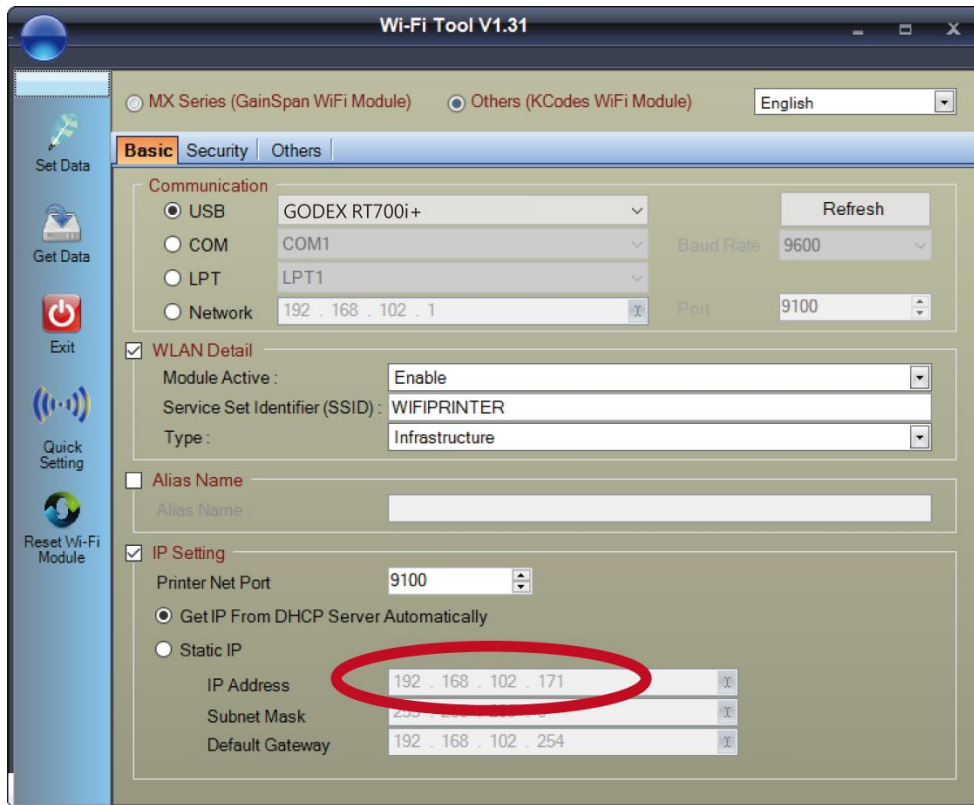
10. After the setting succeeded, a prompt will pop up and the printer will restart.



11. Select the "Other" tab and click the "Get Data" icon after selecting "IP Settings".



12. After remembering the IP address, open the "Printer Settings" window.



13. Select the "Printer Interface" tab, fill in the IP address and click "Save" to complete the setting.

